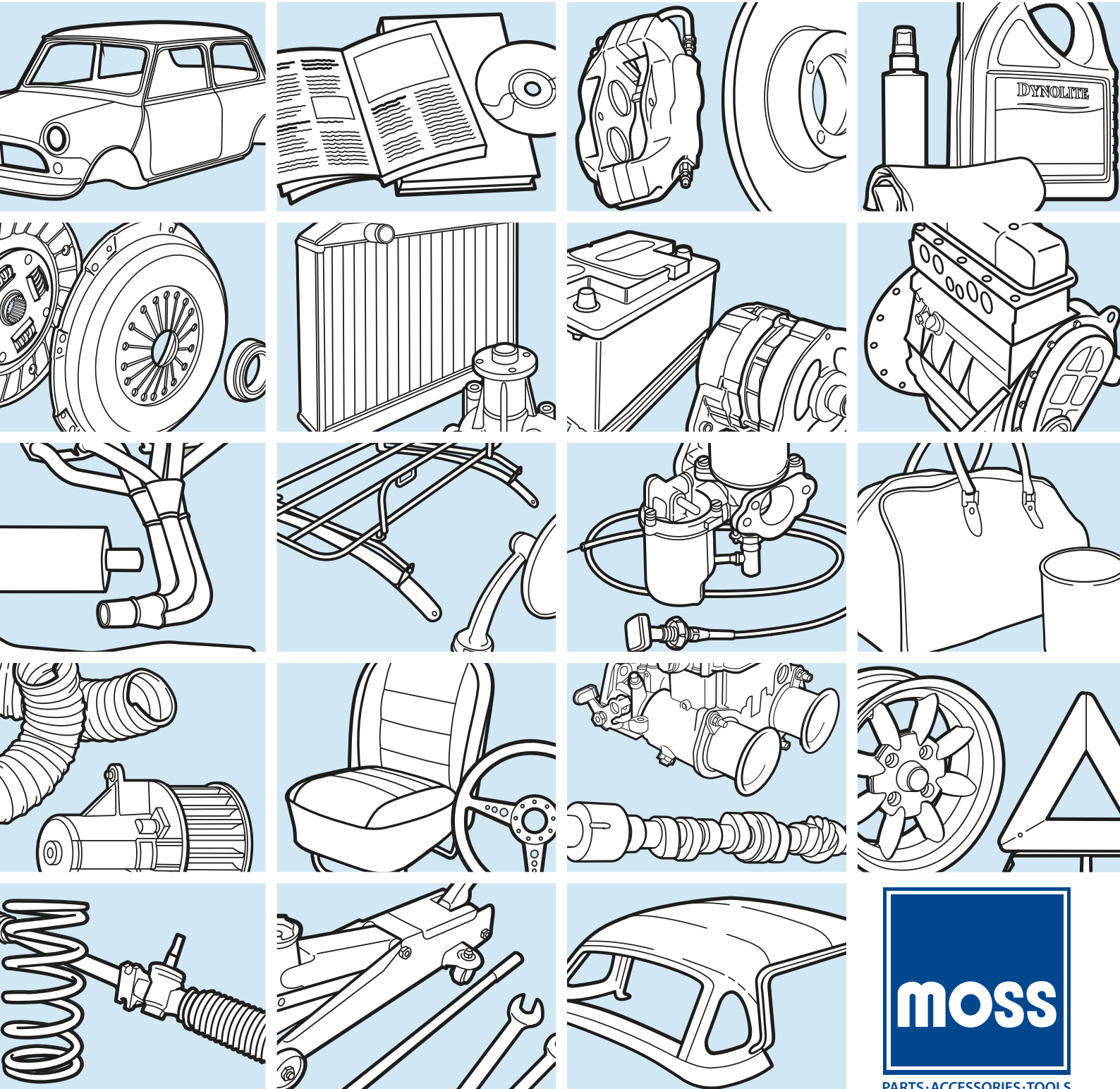


ISSUE 22

PARTS & ACCESSORIES FOR YOUR CLASSIC MINI

including technical advice and detailed schematics



HOW TO ORDER

ORDER ONLINE

Ordering online is quick and straight forward. Simply search by part number or browse by model and component categories. Our site features detailed schematics so identifying the correct part is easy, right down to the last nut and bolt. Should you get stuck, our knowledgeable sales staff are ready to help using our live-chat feature.

Add the parts that you need to your basket and head to the checkout for delivery and payment options. Once checked out, you will receive a confirmation of your order via email, by which time your parts will be being picked and packed, ready to be sent to your door.

ORDER THROUGH A BRANCH

Whether you are visiting, calling or emailing, our knowledgeable branch staff will be happy to help you get the parts that you need. They are car enthusiasts too and understand the challenges that sometimes come with identifying the right parts for rare and classic cars. Of course, the more information about your vehicle that you have to hand, the quicker and easier it will be for us to help.

Arranging to collect parts from our branches is easy, our teams will let you know once your order is ready. Alternatively, they can dispatch your order directly to you.

PRICING

Due to constant variations of world markets and currency fluctuations the prices in this catalogue are subject to change. We make every attempt to keep prices competitive and stable, however in common with all other suppliers in our industry, we reserve the right to alter prices without prior notice. For the latest prices, please call or visit moss-europe.co.uk.

All prices are per unit (unless otherwise stated) and include (UK) VAT at 20% (where applicable). Please note EU countries may be charged at their local VAT rate, countries outside the EU will not be charged VAT. Prices are correct at the time of going to print, postage & packaging is not included. E&OE.

SHIPPING & DISPATCH

Orders for delivery in the UK may be dispatched by regular post for small/lightweight items, larger items may be dispatched via a courier. Please call us for the best delivery option for your order and the latest delivery prices.

For delivery outside the UK we offer the following services. Economy delivery (by road): 2 to 5 days (approximately). Express delivery (by air): 1 to 2 days (Guaranteed). For small and low value orders we also use airmail. For these services, please ask for prices and the best delivery option when you place your order. Most deliveries (except airmail) are 'trackable', (inc: e-mail updates and internet access for selected carriers). Please remember, all carriage charges are dependent on either gross weight or volumetric weight, whichever is greater. If a quotation is required prior to placing your order, please contact a member of the sales department. Alternatively, you can arrange your own collection.

UK OPENING TIMES

Open Monday to Friday

Store opening times vary. Please contact your nearest branch for more information.

See website for Paris opening times

90 DAY MONEY BACK PEACE OF MIND WARRANTY

It's simple, if you change your mind for any reason, all uninstalled parts still in their original condition and packaging may be returned to us within 90 days from the date of purchase for a full refund. A copy of the original invoice or picking label must accompany the return. Return freight is paid by the customer, unless returned due to our error.

In the event of a part failing in use, all parts are warranted against defects in materials and workmanship for 12 months from the date of purchase. Please remember that all returns must be accompanied by the original invoice, return freight will be reimbursed. For more details see our website or contact your local branch.

FIND US ONLINE FOR THE LATEST PRODUCTS, NEWS, FEATURES AND SALES.

STAY IN TOUCH

-  **Facebook**
facebook.com/mosseurope
-  **Twitter**
twitter.com/mosseurope
-  **Instagram**
instagram.com/mosseurope

BUY ONLINE

-  **Moss Websites**
moss-europe.co.uk
- moss-europe.fr



LONDON

Unit 16, Hampton Business Park
Bolney Way, Feltham
TW13 6DB

London Tel
+44 (0)20 8867 2020

Email
sales@moss-europe.co.uk

Fax
+44 (0)20 8867 2030



BRADFORD

Unit 12-13, Acorn Park Ind. Est.
Otley Road, Shipley
BD17 7SW

Bradford Tel
+44 (0)1274 539 999

Email
bradford@moss-europe.co.uk

Fax
+44 (0)1274 539 990



BRISTOL

Unit 14 Avonside Ind. Park
Avonside Road
BS2 0UQ

Bristol Tel
+44 (0)117 923 2523

Email
bristol@moss-europe.co.uk

Fax
+44 (0)117 300 9164



MANCHESTER

111-117 Stockport Road
Stockport, Cheshire
SK3 0JE

Manchester Tel
+44 (0)161 480 6402

Email
manchester@moss-europe.co.uk

Fax
+44 (0)161 429 0349



PARIS

7 rue Chaponval
ZAC du Cornouiller
78870 Bailly, France

Paris Tel
+33 (0)1 30 80 20 30

Email
sales@moss-europe.fr

Sav
+33 (0)1 30 80 21 50

A	Duplex gear set A04	Lightweight flywheels A11	Sun visors A67
Adjusta-ride kits A28	Dynamat insulation A51	Lower arms A27	Suspension bushes & kits A29
Air filters A23	E	Lock & barrel sets A32	Suspension coil conversion A28
Air vent cover set A47	Electric window kit A45	M	Suspension coil over kits A29
Alarm & immobiliser A45	Electronic gauges A47	Magnetic oil trap A11	Suspension cone compressor A27
Alloy wheels A39	Engine steady bushes A05	Mirror (interior) A47	Suspension lower arms A27
Ashtrays A47	Engine steady kit A05	Mirrors (exterior) A33	T
B	Exhaust clamps & fittings A16	Mouldings A30	Thermal mugs A78
Badges & decals A40-41	Exhaust heat insulation A16	Mudflaps A38	Thermostat gasket A09
Battery cut-off switches A25	Exhaust manifolds A15	N	Throttle pedals A49
Body panels A34	Exhaust RC40 & RC50 systems A17	Number plate kit & surround A32	Tracker & remote immobilizer A49
Bonnet release kit A49	Exhaust stepped adaptor A16	O	Trim kits A55-56
Bonnet straps & pin kits A32	Exhaust systems with catalyst A19	Oil catch tanks A10	T-shirts A78
Books & OTP A79	Exhaust systems without catalyst A18	Oil cooler kits A10	U
Boot boards A54	Exterior mouldings A30	Oil cooler thermostats A10	Underfelt carpet kit A52
Brake & clutch hoses A26	F	Oil filter A10	Union flag A78
Brake drums A27	Flywheels A11	Oil filter spin on conversions A10	V
Brake master cylinder A26	Footwell light kit A45	Oil pick up central pipe A11	Valves A04
Brake pads A26	Footwell mats A53	Oil pumps & valves A10	Valves guides A04
Brake servo kit A27	Fuel caps A34	Oil temperature gauge adaptor A10	Valves spring sets A04
Bumper & overriders & comp. A31	Fuel pump inertia switch A25	P	W
C	Fuel pumps & fittings A25	Patches A78	Waterproof blanket A59
C post finishers A65	G	Pedal box assembly A27	Webber carburettor A12
Cam followers A04	Gaiter finisher kit A51	Picnic blanket A78	Wheel arches A38
Cam gears A04	Gauges & accessories A46-47	Pistons A04	Wheel spacers A40
Camshafts & accessories A07	Gear knobs A51	Power socket (12v) A49	Wheels A39
Carburettors A12	Gearbox exchange A11	Q	Wind door deflectors A32
Carburettor linkages A13	General switches A35	Quick shift gear kits A11	Wiper arms kits A31
Carburettor manifolds A12	Grilles & fittings A43	Quick release bonnet kit A32	Wiper kits A31
Carpet sets & fittings A52-A53	H	R	Wiper plugs A31
Central locking kit A45	Handbrake grip A49	Radiators A08-09	Wiper washer jet kit A31
Centre binnacle kits A47	Head gaskets A05	Radios & accessories A76-77	Wiper wheelbox bezel kit A31
Centre consoles A44	Headlamp bulbs A37	Ram pipes A23	
Chassis plates A40	Headlamp LED conversion A37	Rear lamp conv. & lamps MK1 A36	
Cigar lighter A49	Headlamp protectors A36	Rear parcel shelves A61	
Clear rear lens kits A36	Headlamp relay kits A37	Rear pocket liners A64	
Clutches A11	Headlamp stone guards A35	Rear quarter panels A62-63	
Con rods A04	Headlamps A37	Red start button A45	
Cooling fan kits A09	Headlamps peaks A35	Rocker assemblies A07	
Cooling fans A09	Headlamps rims A35	Rocker cover & fittings A08	
Cross pin differentials A12	Headlining kits & fittings A66-67	S	
Cup holder A50	Heated windscreens A30	Screen washer kits A31	
Cylinder heads A05	Heater tap A08	Seal belts & harnesses A48-49	
Cylinder head stud kits A07	Heavy duty tie bars A27	Seat covers A69-A75	
D	High torque starters A20	Seat foams & accessories A68	
Dash fascias A44	Horns A32	Seat runners A49	
Dash kits A44	HT leads A21	Service parts carb. models A80	
Dash liners A57	HT leads numbering set A21	Service parts MPI models A82	
Dashboard panels A60-61	Hub cap A39	Service parts SPI models A81	
Dashpot covers A12	I	Shock absorbers A29	
Decals A40-41	Ignition coil clamp & cover A21	Silicone hoses A08	
Dipsticks A11	Ignition (CSI & CSI-PRO) A22	SmartScreen wiper systems A30	
Distributors A21 & A22	Ignition (Pertronix) A22	Spark plugs & caps A20	
Door cappings A44	Ignition sport coils A21	Sports pack wheel arch kit A39	
Door check straps A61	K	Stage one tuning kits A15	
Door fillet panels A57	Key fobs A78	Steering column drop brackets A49	
Door handle escutcheons A32	Keyless entry kit A45	Steering wheels & bosses A50	
Door handles (exterior) A32	L	Straight cut gear kits A11	
Door handles (interior) A44	Lamp brackets & switch A35	Subframe mounts A28	
Door mirrors (exterior) A33	Lamps & accessories A35-37	Sump guard A30	
Door mirror (interior) A47			
Door panels A58-A59			
Door tread plates A49			
Dummy filler neck A34			

Sections

Performance A04

Exterior A30

Interior A44

Personal A76

Service Parts A80

BLACK & WHITE Restoration Section

Restoration
Parts 01

Ordering
Information 02



Moss Europe Ltd are proud
to support the FBHVC

The Federation of British Historic Vehicle
Clubs exists to uphold the freedom to use
old vehicles on the road.

Where the price is replaced with NCA this part is Not Currently Available. Please visit our website (moss-europe.co.uk) or call our sales staff for the latest availability information or to enquire if we can offer an alternative part.

CMcat ©Copyright Moss Europe Ltd. March 2021. Printed in the UK All rights reserved. No part of this publication may be reproduced, stored in a retrieval system, or transmitted in any form by any means, electronic, photocopying, recording or otherwise without prior written consent of Moss Europe Ltd. Please note: Product colours may vary slightly to samples featured in this catalogue, due to the limitations of colour printing.



CAJJ3382/40

FLAT TOP PISTONS

These pistons are made from lightweight alloy AE109TF specification with two heat treatments. They are designed for durability yet lightweight and have a crown thickness 1.2mm thicker than other leading pistons. Ideal for machining for long stroke cranks. Sold individually complete with rings.

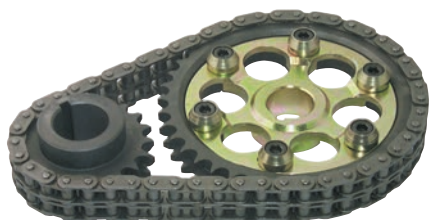
- Flat top pistons +40, 1275cc CAJJ3382/40 . . .£74.00
- Flat top pistons +60, 1275cc CAJJ3382/60 . . .£74.00



CON RODS FOR COOPER S

Reproduced to original specification, these EN24V con rods are the strongest production A series rod produced. 1.625" big end journal size with 5.75" centres.

- Con rod, each AEG624NCA



DUPLEX GEAR SET

It is preferable to change from single row chain (simplex) to twin row chain (duplex) as the duplex is less prone to stretching. The cam timing can also be optimised via an adjustable cam gear, or via offset cam keys. Please see manufacturers data for correct timing figures.

- Kent cams vernier adjustable duplex kit. TMG10828 . .£119.40



CAEG579

LIGHTENED CAM FOLLOWERS

Lightening the valve train helps improve engine response. Our lightened cam followers weigh just 40g and come with an oil drain hole.

- Lightened cam follower, each. TMG10709 . . .£8.40
- Lightened cam follower set CAEG579 . . .£57.60



CAM GEAR LOCATING KEY

These offset keys make getting the best out of your camshaft easy. Please see manufacturer's data for correct timing figures.

- Cam gear locating key 1° offset MGS108251 . .£12.90
- Cam gear locating key 2° offset MGS108252 . .£12.30
- Cam gear locating key 3° offset MGS108253 . .£12.30
- Cam gear locating key 4° offset MGS108254 . .£12.30
- Cam gear locating key 5° offset MGS108255 . .£10.20
- Cam gear locating key 6° offset MGS108256 . .£12.30
- Cam gear locating key 7° offset MGS108257 . .£9.40
- Cam gear locating key 8° offset MGS108258 . .£9.70
- Cam gear locating key 9° offset MGS108259 . .£9.30
- Cam gear locating key kit 2°, 4° & 7° offset . . . MGS10725 . .£30.00



ALLOY TOP CAP

- Alloy top cap, each. TMG10816 . .£19.30
(Half the weight of steel).



VALVE SPRING SETS

- Dual spring set, 200lbs, road use. TMG10807 . .£43.10
- Dual spring set, 250lbs, race use TMG10808 . .£183.00



VALVE GUIDES

Bullet shaped valve guides allow better flow without loss of durability. Bronze alloy valve guides are required when fitting EN214N steel valves.

- Bronze valve guide set, set of 8 TMG10819 . .£61.50
- Iron valve guide tapered nose, each 12G1963 . . .£2.26
- Top hat seal, Rover valve stem oil seals ADU4905 . . .£0.80



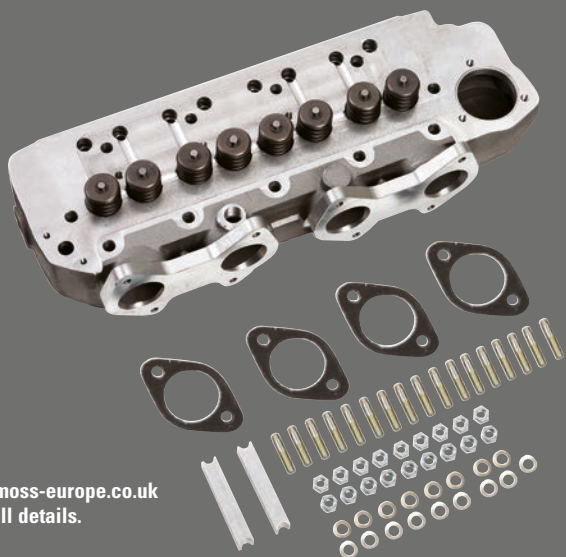
VALVES

Our competition valves are produced in EN214N steel and require installation with bronze valve guides (TMG10819). They are single groove collets (88G459).

- Inlet valve, 35.6mm, high flow, 1275cc, (EN214N) CAEG544 . . .£12.30
- Exhaust valve, 29.4mm, high flow, 1275cc, (EN214N). CAEG106 . . .£18.05

Rimflow valves are considered to be the best valves on the market. Produced in EN214N steel but they have chromed plated stems to enable them to be installed with iron guides although we recommend bronze guides as these help with heat dissipation. Rimflow valves use single groove collets (88G459).

- Rimflow inlet valve, 35.6mm, 1275cc, (EN214N) . MST201 . . .£40.45
- Rimflow exhaust valve, 31mm, 1275cc, (EN214N) . MST2012 . . .£40.45
- Valve 'Cotter', 2 per valve 88G459 . . .£1.31



See moss-europe.co.uk for full details.

ALLOY CYLINDER HEAD - CROSSFLOW

Add power to your A Series with this 7 port crossflow aluminium cylinder head. The crossflow design and larger inlet ports overcome the Siamese head's breathing restrictions providing as much as 25% prior to further modification.

The cylinder head is lighter weight and features an integrated cast inlet manifold (for DCOE carbs or throttle bodies); has an increased air flow rate; runs cooler and allows for higher compression ratios. Special spark plugs are required.

- Alloy cylinder head, crossflow, assembled 451-808 . . . £1,379.70 (Assembled with valve guides, seats, valves & springs).
- Alloy cylinder head, crossflow, bare 451-807 . . . £1,253.70 (Fitted with valve guides & seats).
- Spark plug, NGK, each ER9EH £16.00



ENGINE STEADY KIT

A common problem with Minis is their tendency to destroy engine mounts and steady bar bushes, leading to exhaust down pipe breakage. This is the best engine steady kit available. It mounts neatly on the top two bolts of the water pump and on to the bulkhead. It has an adjustable tie rod with rubber bushes, but can be uprated with a one piece SuperPro bush. Suitable for all models including LHD cars.

- Ultimate engine stabiliser kit ABR024 £38.70
- Solid bush with sleeve, each, 2 per bar CRC5329SP . . . £5.10



POLYURETHANE ENGINE STEADY BUSHES

We recommend using polyurethane engine steady bar bushes as they give maximum control and are very hard wearing. We supply a polyurethane bush to fit the top RH steady bar from the engine to the bulkhead (below the master cylinders), this is a solid one piece bush for maximum control.

Note: Always install polyurethane bushes with grease provided.

- Solid bush with sleeve, each, 2 per bar CRC5329SP . . . £5.10



ALLOY CYLINDER HEAD - 5 PORT

Alloy cylinder heads are an excellent alternative to the original cast iron unit as they are lighter and manufactured with design improvements. The water jacket has been improved to prevent the creation of hot spots and the valves are repositioned to allow up to 38mm inlet and 32mm exhaust valves. Special spark plugs are required.

- Alloy cylinder head, 5 port, assembled 451-876 . . . £1,190.70 (Assembled with valve guides, seats, valves & springs).
- Alloy cylinder head, crossflow, bare 451-875 . . . £1,235.90 (Fitted with valve guides & seats).
- Spark plug, NGK, each DCPR7E £6.80



STAGE 3 IRON CYLINDER HEAD - 5 PORT

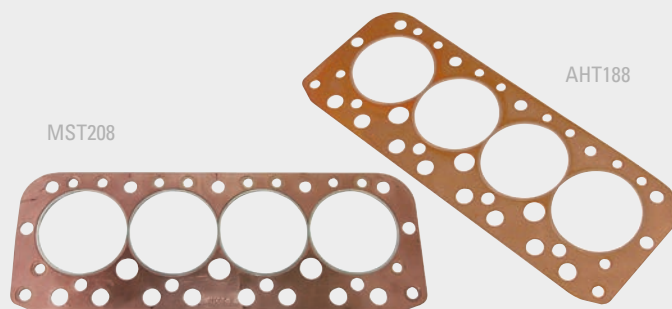
Stage 3 unleaded cylinder head assembly, ports enlarged and chambers reshaped new 35.6mm inlet and 31mm exhaust, bronze guides and Moss ST valve springs.

- Stage 3 iron cylinder head TMG10803B . £866.40

UPDATED HEAD GASKETS

To reduce the risk of head gasket failure on high compression performance engines it is wise to fit one of these uprated, copper faced, head gaskets. The manifold gasket is to be used when the exhaust and inlet ports have been modified on 1275cc cylinder heads.

- Copper asbestos competition head gasket, 1275cc . AHT188 £19.00
- Uprated head gasket, 998cc MST207 £11.40
- Uprated head gasket, 1275cc MST208 £17.10
- Competition manifold gasket, large ports, 1275cc. TMG10836 . . . £4.70





Building a retro replica?..

Here are a few retro parts from the catalogue to help you recreate that style and transform your Classic Mini.

Engine		Lamps	
Alloy cylinder head, bare	451-875	£1,235.90	Period boot lamp, 576, fog
Roller rocker kit, 1.5:1, 1275cc	AHT438	£272.40	BHA4399
Duplex vernier gear kit, A Series	TMG10828	£119.40	£85.00
Kent camshaft rally pin, A Series	KMD286P	£162.00	Chrome spot lamp, Cooper, pair
Manifold gasket, large port, 1275cc	TMG10836	£4.70	GAC4610
Competition copper head gasket, 1275cc	AHT188	£19.00	£46.70
Kent 11 stud + nut set, competition	MGS10864	£250.00	Chrome stone guard, pair
Cooling		GAC8000X	
High flow alloy radiator, side mount	MT3104	£262.70	£13.10
Revotec fan kit, side mount radiator	RFK80	£209.90	Brakes
13 row oil cooler, heavy duty	ARA221X	£140.00	Alloy Superfin brake drum, pair
Oil cooler, stainless steel pipes, (1985 on)	OCHK106	£67.25	MT1210
Transmission		M1144 pads 8.4" disc	
Straight cut gear kit, A+	CSTN77	£541.00	STR5051
Electrical		£48.00	
12v sports coil	TT2981	£24.60	Suspension
High torque starter motor, inertia type	GXE4404X	£222.80	Adjustable lower arm, rose-joint, pair
High torque starter motor, pre-engaged type	GXE4527X	£222.80	C-AJJ3363
Exhausts		£136.20	
RC40 sport exhaust, fits MT6101	GEX40RC	£60.76	Adjustable camber, rear bracket, pair
Freeflow manifold, Cooper	MT6101	£114.00	WPT90021
		£41.60	
		Spax front standard height, pair	
		GAC84011XPR	
		£160.00	
		Spax rear standard height, pair	
		GAC84031XPR	
		£160.00	
		Heavy duty adjustable front tie bar, pair	
		WPT9003X	
		£28.00	
		Exterior	
		Stainless steel sump guard	
		MT1207	
		£87.40	
		Wheel arch set group 2 for 6J	
		MRAC402	
		£67.80	
		Works bonnet strap tan	
		222-729	
		£20.00	
		Lucas spot/fog lamp cover, black, each	
		162-705	
		£45.60	
		Heated laminated w/screen, Monte Carlo, clear .24A2236HM	
		£275.10	
		Interior	
		Full harness red 3 point	
		SBH605RED	
		£45.90	
		Full harness red 4 point	
		SBH655RED	
		£52.20	

CYLINDER HEAD STUD KIT

You should consider the strength and reliability of all the critical fasteners used on your engine. Increased reliability can be obtained for mild states of tune by replacing the head studs and nuts with uprated versions. The greater strength of these studs will restrict stretching under pressure and therefore keep the head and gasket securely in place.

Kent Cams 9 studs and nuts competition kit. TMG10864. . .£186.00
 Kent Cams 11 studs and nuts competition kit. MGS10864 . .£250.00



TMG10864



EN24 nickel chrome moly steel studs, competition head stud kit (11 studs, nuts & washers). This special kit was developed to replace the increasingly inconsistent standard items. The studs are manufactured in selected hi-grade steel and produced to exacting specifications. These studs do not stretch, so they pull the head down, not the thread up, this vastly increases head gasket life, even on high compression engines. Special thick washers, countersunk on one side, help clamping capability and reduce thread bottoming of the nuts.

The 12 point skirted nuts help to increase torque accuracy through better engagement. Note that even replacing the head bolt with a stud, only torque that stud to the factory recommended spec (25ft/lbs), the other studs can be torqued to 65ft/lbs with oil, 55ft/lbs with ARP lube.

11 studs and nuts competition kit AHT280£80.90



UPRATED ROCKER SHAFT

To enhance valve train strength and reliability especially in high revving engines.

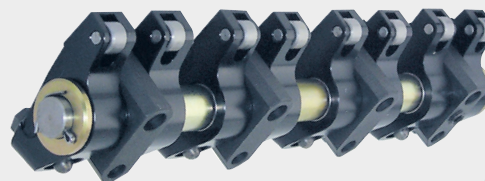
Tufrided rocker shaft TMG10817. . .£36.90



SOLID ROCKER SPACER SET

The spacer replaces the springs reducing side loading on the rocker arms cutting resistance and creating less drag.

Solid rocker spacer set, set of 3 CAEG392 . . .£14.40



AHT438

UPRATED ROCKER ASSEMBLIES

Roller rockers are stronger than the standard set up and are designed to operate the valves with less resistance, these kits also give higher lift than standard at a ratio of 1.5:1 instead of 1.3:1. Always use with uprated valve springs and check carefully for clearance.

Rocker assembly, 1.5:1 ratio, 1275cc. AHT438 . . .£272.40



KENT PERFORMANCE CAMSHAFTS

All the Kent camshaft applications/part numbers below with the suffix 'P' are for the original pin drive oil pump/camshaft. If you have changed your camshaft and oil pump to either 'Star' drive or 'Metro Slot', use the suffix 'S' or 'M' on the part number.

To assist in selecting a suitable camshaft we have prepared a table showing their various characteristics, these will change from engine to engine and with other modifications such as carburettor or valve size. A scatter profile is where the cam timing on No. 2 and 3 engine cylinders has been altered slightly to combat the poor scavenging of the Siamese port design. This will benefit both the tickover and high end performance. The effect of a larger engine is to lower the camshaft's power range slightly.

Care must be taken to ensure that installation is carried out correctly and

that components all work together or you will not get the expected power output or reliability. It is essential that the new cam is fitted with new followers as they mate with the lobe that they run on and should never be used on another lobe.

Lightened and tufrided followers wear more slowly and put less load on high lift cam lobes, they are also manufactured with a drainage hole. Another essential is the special lubricant that must be used with all new cams, it provides vital lubrication during initial starting and protects your cam from extreme wear in its first minute of use.

KEN2



TT2929

Camshaft accessories

Don't forget the camshaft assembly lubricant or the cam timing degree disc, you will need this to set your cam timing.

Cam lubricant 250ml. KEN2£9.40
 360° cam timing disc. TT2929.£7.20

Camshaft Type	Part No.	Price	Inlet Timing	Exhaust Timing	Duration Inl - Exh	Cam Lift	Description
Fast road	KMD266S	£162.00	24/56	61/29	260-270°	0.263"-0.270"	1275cc smooth idle
Road rally	KMD276S	£162.00	29/61	66/34	270-280°	0.293"-0.315"	1275cc slightly lumpy idle excellent street cam
Rally scatter	KMD286SPS	£267.40	34/66	71/39	280-290°	0.315"-0.324"	1275cc lumpy idle max street cam
Race	KMD296M	£162.00	39/71	76/44	296-300°	0.324"-0.340"	1275cc race/1380cc slightly lumpy
Race scatter	KMD296SPM	£253.00	39/71	76/44	296-300°	0.324"-0.340"	1275cc race/1380cc slightly lumpy



ALLOY ROCKER COVER & FITTINGS

An alloy rocker cover will improve the appearance of your engine bay and, as an added advantage, will help to muffle valve train noise. Always fit a new gasket when replacing your rocker cover, and do not over tighten rocker cover nuts. We offer a range of accessories for the rocker cover including anodised T bars for a custom appearance.



- Ribbed rocker cover, polished GAC4068P . . . £34.00
- Ribbed rocker cover, red GAC4068R . . . £47.20
- Ribbed rocker cover, blue GAC4068B . . . £47.20
- Fitting kit for rocker cover GAC4069FK . . £19.20
(Fitting kit includes: Oil cap, seals and chrome spacers/nuts/washers).
- Ribbed rocker cover kit, polished. WPA9007X . . £48.00
(Kit includes: Rocker cover GAC4068P and fitting kit GAC4069FK).



- Rocker cover knurled nuts, chrome, pair WPA9029X . . £10.30
- Rocker cover T bars, chrome, pair WPA9039X . . . £5.70
- Rocker cover T bars, anodised blue, pair WPA9039B . . . £8.40
- Rocker cover T bars, anodised red, pair WPA9039R . . . £8.40



- Chrome filler cap 8G612CP £8.70
- Matt steel filler cap 8G612 £7.80
- Washer & grommet kit GAC4069WK . . £6.30
- Rocker cover gasket, cork. GUG705009VC. £1.70
- Rocker cover gasket, standard, silicone 296-006 £14.60
- Rocker cover gasket, alloy, silicone 296-007 £17.20



HEATER TAP

This is the closest you will get to an original Cooper S heater tap for that added retro look. This tap allows water to flow from the head to your heater, a perfect retro replacement if your heater taps fails.

Heater tap, non standard JJC10018. . . . £28.30



INDIVIDUAL SILICONE HOSES

- Silicone bottom hose, 998cc, black, (1967-89) . . GRH240X. . . £20.40
- Silicone bottom hose, 998cc, blue, (1967-89) . . GRH240XB . . £20.40
- Silicone bottom hose, 998cc, red, (1967-89) . . . GRH240XR . . £20.40
- Silicone top hose, 998cc, black, (1967-89) GRH245X. . . £14.40
- Silicone top hose, 998cc, blue, (1967-89) GRH245XB . . £14.40
- Silicone top hose, 998cc, red, (1967-89) GRH245XR . . £14.40
- Silicone top hose, 1275cc, black, (to 1971) GRH247X. . . £14.40
- Silicone top hose, 1275cc, blue, (to 1971) GRH247XB . . £14.40
- Silicone top hose, 1275cc, red, (to 1971) GRH247XR . . £14.40



FLETCHER ALLOY RADIATOR

Smartly engineered and designed to bolt straight in with no modifications complete with 16psi radiator cap, this 2 core alloy radiator offers far better coolant flow and cooling capabilities than the standard part.

Fletcher alloy radiator MT3106 £105.00



HIGH PERFORMANCE RADIATORS

A 2 core radiator is ideal for fast road while for race applications a 4 core is best where extreme cooling is required. For the ultimate cooling use our alloy radiator, suitable for all applications due to better heat sinking through the aluminium construction and it looks great! Our special 3 core fast road radiator has been developed to include an M22 x 1.5 threaded boss in the header tank, this allows easy fitting and adjustment of the Revotec fan controller or installation of thermal switches.

- 2 core high performance radiator, fast road GRD4442 . . . **£162.40**
- 2 core high perf. radiator with fan switch, fast road. GRD4443 . . . **£172.55**
- 3 core high perf. radiator, boss in header tank. . . GRD4442TDF. . . **NCA**
- 4 core high performance radiator, race. GRD4444 . . . **£152.40**
- Alloy radiator, side mounted MT3104 . . . **£262.70**

Fan switches for use with GRD4442TDF, MT3104 can be used to switch any electric fan on or off. Electronic fan controller (RFC010) can be adjusted for different temperatures.

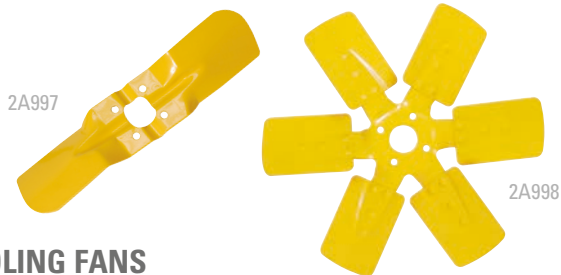
- Thermo switch, 82-68° IM50100 **£8.60**
- Thermo switch, 88-79° IM50120 **£8.60**
- Thermo switch, 92-87° IM50200 **£7.00**
- Thermo switch, 88-74° IM50250 **£7.50**
- Electronic fan controller, thread fitting M22 x 1.5 . RFC010. **£83.60**



KLINGERSIL GASKET

These gaskets are manufactured from a modern high performance synthetic material that can withstand much higher temperatures (up to 204.4°C) and extreme pressures (up to 750psi) making them ideal for fast road and competition engines.

- Gasket thermostat housing uprated GTG101X. **£1.60**



COOLING FANS

Fit a Special Tuning style two blade fan or for extra air flow use this 6 blade fan, as used on export Minis. Metal construction finished in yellow paint.

- 2 blade fan 2A997 **£30.00**
- 6 blade fan 2A998 **£47.50**



REVOTEC COOLING FAN KIT

Keeping the engine of your Mini running at its optimum temperature ensures you get the best performance and economy. These kits are designed to replace the standard original mechanical fan, reducing the load of the engine and noise and improving power and mpg.

Revotec have designed these kits using a special slim-line motor to fit neatly between the radiator and inner wing. Unlike other fan kits that use universal mounting systems, this kit fits using bespoke laser cut brackets that mount directly to the radiator cowling using existing mounting bolts. Not suitable for automatic models. A manual override switch is also available separately, enabling manual control of either On, Off or Automatic.

Kit includes: High efficiency fan assembly, electronic controller, bespoke brackets, hardware & wiring, & full instructions.

- Revotec fan kit, (1959-97 carburettor). RFK80. **£209.90**
- Revotec fan kit, (1991-97 SPI) RFK801. **£108.00**
- Revotec fan kit, (1997-00 MPI). RFK802. **£82.60**
- Manual override switch RFC020. **£36.00**



K&N PERFORMANCE GOLD® OIL FILTER

These K&N oil filters feature a number of improvements over standard oil filters, like higher flow rates, improved filtration, anti-drain valve and a nut for ease of removal. Originally developed by K&N for race applications these high quality filters are becoming a favourite among consumers who want only the best products for their cars. See page A10 for uprated oil pump.

- K&N Performance Gold® oil filter, A series 235-830. **£16.00**



OIL COOLER KITS

These days we expect our cars to cope with high speeds for long periods of time, on motorways etc... These conditions stress the standard oil system of the Mini, as high engine speeds cause the oil to heat up and thin, reducing its viscosity and leading to a subsequent drop in oil pressure and possible premature engine wear. Oil cooler installation kits are available with either rubber or braided stainless steel hoses, the oil radiators themselves are sold separately. These are for non front mounted radiator models.

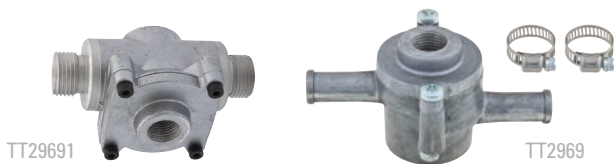
- Oil radiator, 10 row. ARO9807 **£73.50**
- Oil radiator, 13 row. ARA221. **£60.00**
- Oil radiator, 13 row, Mocal. ARO9809 **£91.20**
- Oil radiator, 13 row heavy duty. ARA221X **£140.00**
- Oil cooler kit rubber hose, (to 1979) OCHK100 **£28.00**
- Oil cooler kit rubber hose, Clubman, (to 1979) . OCHK101 **NCA**
- Oil cooler kit, stainless steel hose, (to 1979) OCHK102 **£47.50**
- Oil cooler kit, rubber hose, (1979-84) OCHK103 **NCA**
- Oil cooler kit, stainless steel hose, (1979-84) OCHK104 **£80.90**
- Oil cooler kit, rubber hose, (1985 on) OCHK105 **£55.50**
- Oil cooler kit, stainless steel hose, (1985 on) OCHK106 **£67.25**



SPIN-ON OIL FILTER ADAPTORS/CONVERSIONS

Fitting a spin-on filter adaptor makes changing the oil much easier and cleaner, it also prevents oil draining out of the filter giving better oil pressure on start up. Oil filters supplied separately.

- Spin-on oil filter conversion, 948-1275cc GFK1001 **£86.00**
(For Tecalmit heads & Purolator heads, except casting number MIC90020).
- Oil filter, K&N Performance Gold 235-830. **£16.00**
- Oil filter, standard, for GFK1001 only GFE166. **£2.40**
- Spin-on oil filter conversion & hose 948-1275cc. 235-875. **£57.10**
(This spin-on conversion is suitable for all models as it replaces the filter head and pipe assembly. Ideal if filter head or pipe is damaged or missing).
- Oil filter, K&N Performance Gold 235-830. **£16.00**
- Oil filter, standard, for 235-875 only. GFE173. **£4.56**



OIL TEMPERATURE GAUGE ADAPTOR

- If you want to fit an oil temperature gauge then use one of our in line adaptor.
- Push-on temperature, 1/2" adaptor TT2969. **£52.00**
- Screw-in temperature, 1/2" adaptor. TT29691. **£83.60**



OIL COOLER THERMOSTATS

Use these thermostats to limit the flow of oil through the oil cooler until it has reached a temperature of 74 degrees Celsius.

The standard oil thermostat has push on connectors for use with 1/2" rubber hoses and comes with hose clips. It seals off the radiator completely until the oil is up to temperature. The full flow oil thermostat restricts flow to the radiator by allowing it to bypass through the thermostat until the oil is up to operating temperature. Use screw unions TT29602 to connect hoses to the full flow thermostat.

- Push-on, standard, oil thermostat TT2960. **£53.00**
- Screw-in, full flow, oil thermostat TT29602. **£153.00**
- Straight 1/2" unions, pair TT9961. **£9.60**
(For use with screw in temperature adaptor and thermostat).



OIL PUMPS & VALVES

Good oil supply is a must, with the Mini's cornering capabilities oil starvation is a possibility all precautions should be taken. The oil pressure regulator allows you to adjust the pre-load on the oil pressure relief valve so you can alter the peak oil pressure. Please remember oil pumps require priming before fitment. Always remove spark plugs and spin engine over until oil pressure registers. See page A23 for K&N performance oil filters.

- 1 Oil pump, turbo, large capacity GLP110. **£42.00**
- 2 Oil release, stainless steel, valve ball 12H865X **£0.73**
(No sticking valves).
- 3 Oil valve spring, use with 12H865X. 6K853C. **£1.36**
- 4 Adjustable oil pressure valve, black. MT1112 **£16.50**
- 5 Adjustable oil pressure valve, blue MT1113 **£16.30**
- 6 Adjustable oil pressure valve, red MT1114 **£16.30**



OIL CATCH TANKS

A must for competition use to prevent oil spillage on the track. Manufactured from high grade aluminium and anodised for a smart, durable finish they feature 2 x 1/2" OD connectors for the breather hoses, level indicator, breather cap and drain plug. Available in 1 litre or 2 litre sizes. Mount using the rear flange to a suitable vertical panel in the engine bay.

- Oil catch tank, 1lt TT2900. **£169.00**
- Oil catch tank, 2lt TT2901. **£183.40**
- Breather hose, 1/2" ID, per metre BAU5065M. **£10.00**
- Hose clip, each. GHC11016. **£2.20**



CENTRAL OIL PICK UP

The standard oil pick up pipe is located to the RH side of the gearbox and oil surge during cornering can send the oil away from the pick up. This central oil pick up relocates the pick up point to the centre of the gearbox ensuring it is always submerged. Recommended if you are rebuilding the engine or gearbox.

CAHT54 £30.60



ANODISED DIPSTICK

These are beautifully crafted dip sticks which use two rubber 'O' rings to secure them into the engine, with a choice of either a red or blue anodised knob.

Dipstick with anodised knob, blue. GAC8457X £11.70
 Dipstick with anodised knob, red GAC8458X £11.70



MAGNETIC OIL TRAP

Designed to collect any metal particles at the top of the pick-up pipe, before they reach and destroy the oil pump. For all A series transverse engine and gearbox assemblies.

MS3313 £32.20



QUICK SHIFT KITS

Shorten the throw between gear changes... This kit improves feel and reduces gear lever travel resulting in a faster, slicker change. Available for either remote or rod type gearboxes, the kits include a modified gear lever, retainer and mounting hardware for simple installation.

Quick shift kit, remote type. KAD1013218 £96.70
 Quick shift kit, rod type MRAC1751 £42.65

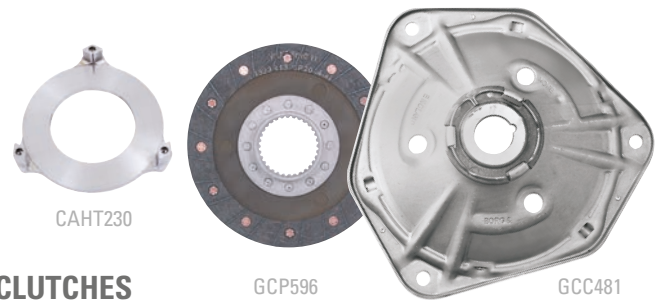


STRAIGHT CUT GEAR KITS

CAJJ4014

The original design Special Tuning gear ratio set is available in three versions. Remote type and two rod type gear kits A series and A+. A series main shaft has 14mm nose into 1st motion shaft and A+ has 18mm nose on main shaft.

Straight cut gear kit, remote type. CAJJ4014 . . . £541.00
 Straight cut gear kit rod, A+ type. CSTN77 . . . £541.00



CLUTCHES

The much sought after 22G270 'S' clutch back plate has been out of production for many years, but has now been replaced with CAHT230. It was liked because of its strength. Although not steel, it was cast in a very high grade iron, the exact same material used here. This item is cast fairly light 3.56lbs (Std 5.7lb), but can be lightened further if required, call for details.

Clutch pressure plate CAHT230 . . . £101.50
 Clutch plate, road/rally GCP596 . . . £137.90
 Clutch cover, road/rally GCC481 . . . £51.60
 Clutch cover, rally/race GCC482 . . . £84.10



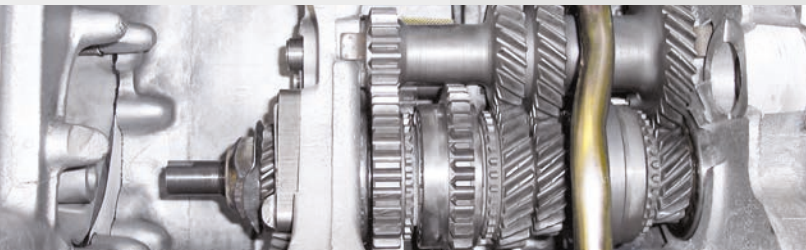
CAEG619

LIGHTWEIGHT STEEL FLYWHEELS

Using a lightweight steel flywheel has the same effect as lightening the car. Reducing the mass of rotating components in the engine helps the engine accelerate more easily leading to better acceleration of the car. These high quality steel flywheels are considerably lighter than the standard cast items and offer improved strength and a harder wearing clutch face. Their symmetrical design means they also reduce harmonic vibrations.

We offer flywheels in two specification; Roadlite and Racelite. Roadlite flywheels weigh in at 5kgs (11lbs), half the weight of a standard 1275cc. Our Racelite flywheels weigh in at just 3.63kgs (8lbs) for maximum weight saving in competition engines and are manufactured from EN8 grade steel.

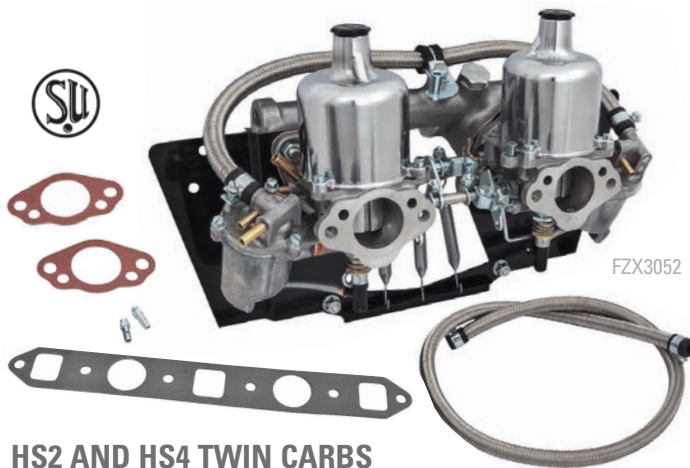
Roadlite lightened flywheels
 Diaphragm clutch with pre-engaged starter CAEG420 . . . £174.60
Racelite lightened flywheels
 Diaphragm clutch with inertia starter CAEG619 . . . £178.15



GEARBOXES

These reconditioned gearboxes are available in either standard rod type or standard remote type. Both are subject to exchange.

Gearbox, recon., standard, rod type, exchange. . . MT2101 . . . £511.60
 Gearbox, recon., standard, remote type, exchange. . . MT2102 . . . £511.60



HS2 AND HS4 TWIN CARBS

Increase the power from your Mini with one of these kits. They are designed to allow more fuel and air into the engine, whilst keeping that distinctive period look of a pair of classic SU carburetors. For the best results these carburetors require a sports exhaust system (at least). The twin carburettor kits include all the parts you need to fit them including manifold, heat shields and carburetors. (Air filters not included).

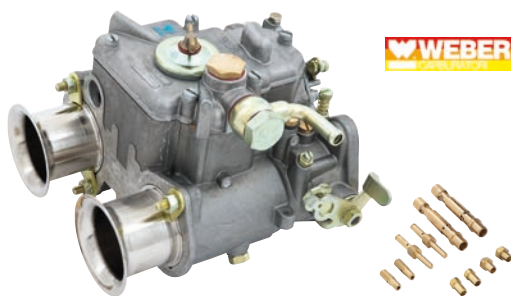
- HS2 twin carburettor kit FZX3052 . . . £1,037.30
- HS2 twin carburetors only AUD662T . . . £707.00
- HS4 twin carburettor kit FZX3054 . . . £1,073.00



DASHPOT COVERS FOR SU CARBURETTORS

Polished or anodised dashpot covers are an easy way to brighten the engine bay.

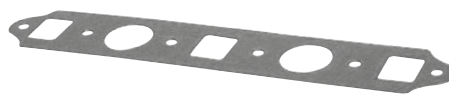
- HS2 dashpot cover, silver. SFR22 £17.15
- HS4/6 dashpot cover, silver. SFR23 £18.40
- HS4/6 dashpot cover, anodised, blue. SFR23B £18.40
- HS4/6 dashpot cover, anodised, red SFR23R £18.40
- HIF carburettor dashpot cover, silver. SFR24 £15.50



WEBER CARBURETTOR 1275CC

This Weber carburettor is fitted with the basic jets and chokes that are correct for fast road applications, although these will still require fine tuning when on the car to receive maximum performance and economy.

- 40 DCOE Weber carburettor, fast road. TT29343308 . £486.00



LARGE PORT MANIFOLD GASKET

The large ports on this gasket allow fitment of performance manifolds with larger primary pipes.

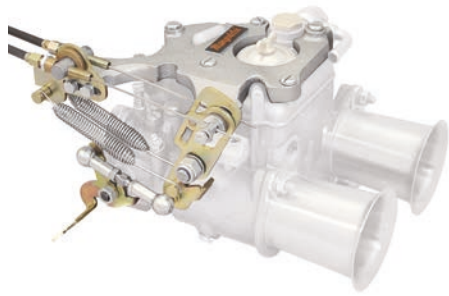
- Manifold to cylinder head gasket. TMG10836 . . . £4.70



TWIN SU STAINLESS STEEL HEAT SHIELDS

These new mirror finish stainless steel heat shields not only look great they also redirect some of the heat from the exhaust manifold.

- Twin SU stainless steel heat shields for HS2 MST018 £25.75
- Twin SU stainless steel heat shields for HS4/6 MST019 £25.75



Carburettor not included

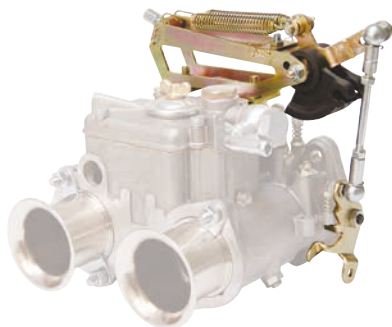
WEBER DCOE THROTTLE LINKAGES - MANGOLETSI

Mangoletsi is a long established name in the performance tuning industry, and a leading manufacturer of competition inlet manifolds & throttle linkages. We now offer Mangoletsi's new range of DCOE 'sliding set-up' throttle linkages.

This new simple design features a cast bracket which fits over the top of the carburettor, holding the linkage neatly to the side of the carburettor. This unique design has an ultra-low profile - the highest point of the linkage is only 10mm higher than the carburettor, ideal if clearance is limited. Each kit is suitable for single or twin carburettor set-ups for in-line engines.

The unique design also gives a wide range of throttle adjustment. Cable travel and spring tension can be adjusted independently. The adjuster can be set to give the desired cable travel, the spring tension can then be set to give the correct throttle shut off. This allows the throttle feel to be fine tuned to the driver's requirements.

- Throttle linkage DCOE, twin cable. LP42451 **£131.45**
- Throttle linkage DCOE, single cable. LP42411 **£116.75**



Carburettor not included

WEBER DCOE THROTTLE LINKAGES - WEBCON

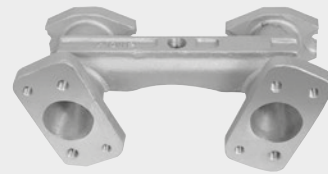
Webcon linkages have been designed to offer a variety of fitting layouts to give flexibility of installation.

The lightweight construction is manufactured from steel and zinc-plated to match existing components on the carburettor, giving an OEM look.

Available in top or bottom mount for single or twin cables. Cables can be routed from either side and the linkage offers adjustment for cable movement from 22-40mm. The outer cable is retained in the adjuster whilst the inner cable fits to a quadrant cam, featuring sintered bronze bearings, giving a smooth linear action. High quality 8mm ball joints, with an opposed threaded rod, are used on the linkage for ease of adjustment and set up.

Single cable kits use the existing throttle cable whilst the twin cable kits include a pair of nylon lined cables and an adaptor block to convert the throttle pedal.

- T/linkage DCOE, top mount/single cable. LP4100 **£105.00**
- T/linkage DCOE, top mount/twin cable. LP4101 **£119.40**
- T/linkage DCOE, bottom mount/single cable. LP4102 **£105.00**
- T/linkage DCOE, bottom mount/twin cable. LP4103 **£119.40**



TWIN SU ALLOY INLET MANIFOLD

This intake manifold is for twin SU's (HS2 or HS4).

- Twin SU alloy inlet manifold LP4012 **£208.10**

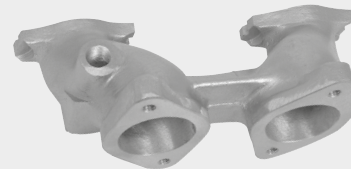


C-AEG489

TWIN SU ALLOY INLET MANIFOLD

This intake manifold is for twin SU's (HS4 or HS6) produced to the original Abingdon ST design. The throttle bracket is suitable for twin SU manifolds.

- Twin SU alloy inlet manifold C-AEG489 . . . **£83.20**
- Twin SU throttle bracket. AEG349 **£7.15**
- Screw for throttle bracket SH504041. **£0.47**



WEBER INLET MANIFOLDS

Single Weber/Dellorto inlet manifold 10cm (4 inch) long. This manifold will require bulkhead modifications.

- Single Weber/Dellorto 10cm inlet manifold TT10850. . . . **£196.36**



Single Weber/Dellorto inlet manifold 15cm (6 inch) long. Supplied complete with direct acting throttle linkage. Will require bulkhead modifications.

- Single Weber/Dellorto 15cm inlet manifold TWM0071 . . **£379.40**



HIGH FLOW ALLOY INLET MANIFOLD

High flow alloy inlet for 1.75" carburettors, the larger ports make this manifold ideal for large capacity engines e.g. 1380cc.

- High flow alloy inlet manifold. MT3603 **£65.80**
- Blanking plug, if brake servo not used. ADP210 **£6.60**
- Sealing washer AED172 **£1.21**



CSI-IGNITION DISTRIBUTORS

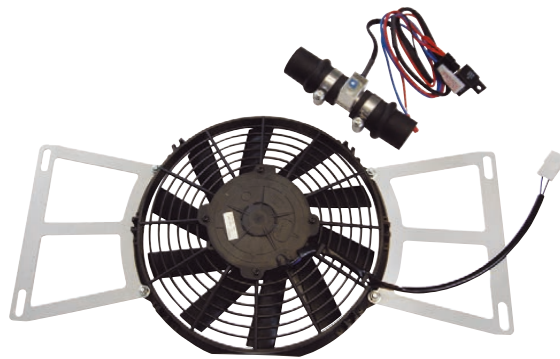
CSI-Ignition distributors offer a fully electronic ignition system built into the correct type of Lucas distributor housing to suit your car, keeping the original appearance in the engine bay. You can only tell the difference when you remove the distributor cap!

Gone are the points and condenser and mechanical advance mechanism, all replaced with a high quality electronic ignition system manufactured using military specification components for durability and reliability.

These distributors are maintenance free (no points to adjust), and offer the benefits of, easier starting and smoother running, more torque and power, reduced fuel consumption and emissions.



See page A22 for more information



REVOTEC COOLING FAN KITS

Keeping your engine running at it's optimum temperature will ensure the best performance and economy.

Revotec and Moss Europe have co-designed these high quality bespoke fan kits using the latest high efficiency fans with adjustable electronic controllers. These kits are designed to replace the standard original mechanical fan, reducing the load on the engine, noise and improving both power and mpg.

Unlike other fan kits that use universal mounting systems, these kits fit using bespoke laser cut brackets that mount directly to the radiator cowling using existing mounting bolts.



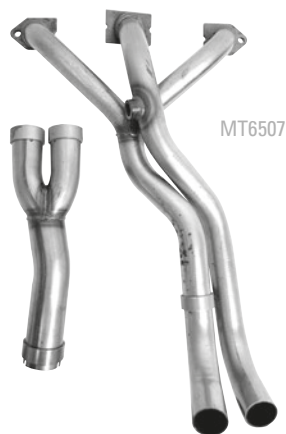
See page A09 for more information



PERFORMANCE EXHAUST MANIFOLD

This highly polished stainless steel manifold is designed to work with our range of Fletcher performance exhausts, page A18. Made from T304 stainless steel. The finish and welding on this product is just about as good as it gets.

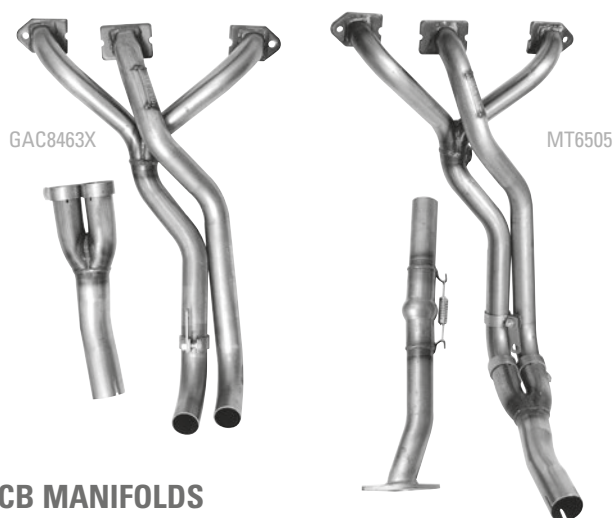
LCB stainless steel, non-catalyst models MT6506 **£223.00**
 Blanking plug for lambda sensor, as required . . . WPE1104X. . . . **£4.50**



PRO FLO LCB MANIFOLDS

New to the market, these well designed Pro Flo manifolds feature a larger secondary pipe than usual. Perfect for performance tuning on fast road cars.

Pro Flo exhaust manifold, injection models MT6507 **£107.10**
 Pro Flo exhaust manifold, carburettor models . . . MT6508 **£107.10**
 Blanking plug for lambda sensor, as required . . . WPE1104X. . . . **£4.50**



LCB MANIFOLDS

The medium bore long centre branch manifold (LCB) is probably the most popular for the Mini in production today. Suitable for engines up to 1380cc this is the first step to greater performance. This Manifold long centre branch exhaust manifold is for applications up to 100bhp and includes primary pipes and Y piece with clamps.

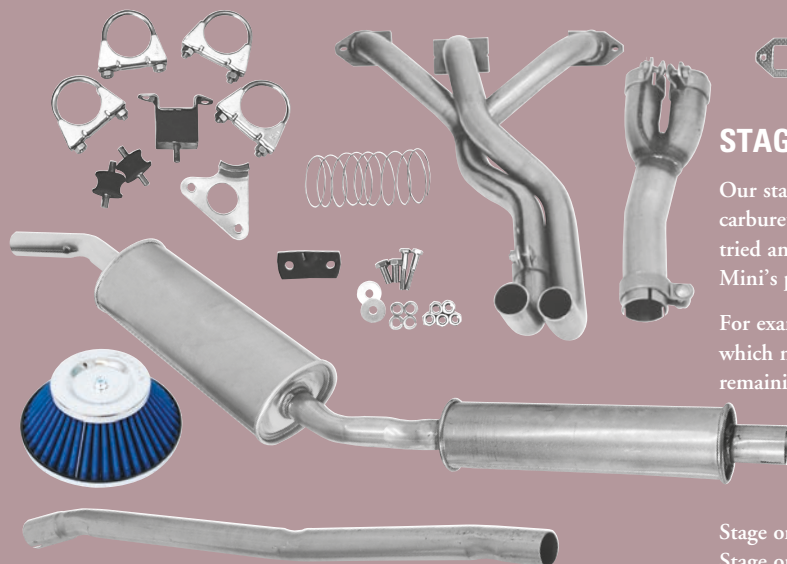
LCB mild steel manifold, carbs. to 100bhp GAC8463X . . **£128.00**
 LCB mild steel manifold, injection with cat. MT6505 **£173.00**
 Blanking plug for lambda sensor, as required . . . WPE1104X. . . . **£4.50**
 LCB exhaust manifold Y piece, as required GAC84631 . . . **£58.00**



FREEFLOW MANIFOLD

This freeflow exhaust manifold is specifically manufactured in mild steel for the Cooper model.

Freeflow mild steel manifold MT6101 **£114.00**



STAGE ONE TUNING KITS

MTK1275

Our stage one tuning kits are available for both the 998cc & 1275cc carburettor Classic Mini models. When developing the tuning kits, only tried and tested high quality components that would actually improve the Mini's performance were selected.

For example; the Moss kit uses the legendary RC40 exhaust system which not only adds bhp but also produces a satisfying sporty tone, while remaining suitable for all types of driving.

These comprehensive kits contain everything required for fitting to a standard car, including a new needle and spring for the carburettor.

Stage one tuning kit, 998cc, 1071cc & 1098cc . . MTK998 **£272.00**
 Stage one tuning kit, 1275cc MTK1275 **£320.00**



EXHAUST HEAT INSULATION

Wrapping a tubular manifold will keep engine bay heat to a minimum, reducing engine bay temperatures by up to 70%. This will benefit power in two ways; firstly it will reduce the temperature of the air going into the engine; secondly, it improves the effectiveness of the manifold by increasing gas speed due to lower gas density, increasing the scavenging effect.

This race proven, asbestos free, product from Thermo-Tec is manufactured from Silica based yarns and is unaffected by oil or water, and can withstand temperatures of up to 1000°C. As a guide to coverage a 2" x 50' roll will cover approximately 13ft of 2" pipe. Manifold wrap is supplied in a variety of sizes, see below for details. Use Snap Straps to hold the wrap in position.

Roll size (W x L)	Natural	Black.
1" x 15' roll	GAC150 £14.70	GAC151 £17.10
2" x 15' roll	GAC152 £24.30	GAC153 £26.80
1" x 50' roll	GAC154 £42.90	GAC155 £47.70
2" x 50' roll	GAC156 £73.00	GAC157 £80.50

Manifold blanket

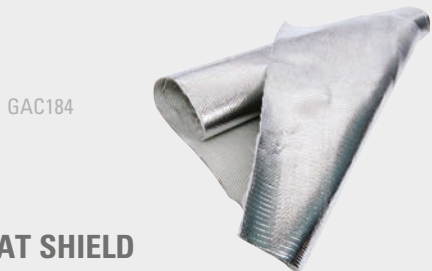
Using a manifold blanket provides excellent heat retention for exhaust manifolds and can be easily installed to both cast iron and tubular manifolds. Manifold blanket should be retained with Snap Straps.

Manifold blanket, 4-6 cylinder	GAC182	£123.10
Manifold blanket, V8, 2 piece	GAC183	£130.90

Snap Straps

Use Snap Straps to hold the wrap or blanket in position.

Snap Strap kit, 8 x 9" & 4 x 18" lengths	GAC172	£39.30
Snap Strap kit, 6 x 9" & 4 x 18" lengths	GAC173	£34.20
Snap Strap kit, 12 x 9" lengths	GAC174	£36.90
Snap Strap kit, 6 x 18" lengths	GAC175	£24.30
Snap Strap kit, 4 x 14" lengths	GAC176	£12.30



HEAT SHIELD

Radiant heat coming through the floors and bulkhead can make the cockpit of your Mini a hot place to be. Insulating the floors and bulkhead not only keeps the heat out but it can also prevent damage to carpets, paintwork and interior fittings where exhaust pipes, silencers and catalytic converters are in close proximity to the panel work.

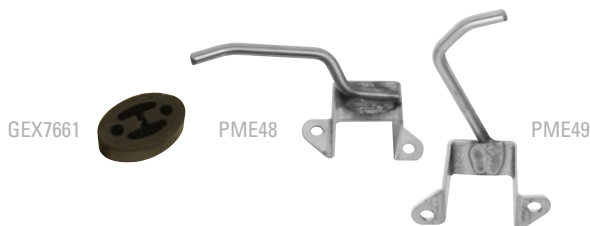
Exhaust heat shield can be used on the underside of the floors where the exhaust runs close to the floor particularly above silencers and catalytic converters. It effectively reflects 90% of the radiant heat from exhausts and can withstand temperatures up to 1000°C. The general purpose material can be used to cover bulkheads and floors to keep general heat transfer to the cockpit to a minimum. It can also be used to wrap and cover components in the engine bay to prevent heat damage.

Exhaust heat shield, 40" x 24"	GAC184	£97.50
General heat shield, 1m x 1m	GAC185	£88.80
High temperature adhesive	GAC9908X	£15.00



STAINLESS STEEL 'U-BOLT' TYPE EXHAUST CLAMPS

Exhaust clamp, 1 1/8"	412-200	£3.20
Exhaust clamp, 1 3/4"	412-201	£5.50
Exhaust clamp, 1 7/8"	412-202	£5.60
Exhaust clamp, 2"	412-203	£4.30
Exhaust clamp, 2 1/8"	412-204	£7.00
Exhaust clamp, 2 3/8"	412-205	£6.10



REAR SILENCER FITTINGS

Early Minis used rubber blocks to hang the original exhausts from. The Play Mini range uses the later type of hook brackets and rubber hangers. These fitting kits contain all components, including the hanger conversion brackets, to allow easy installation. Simply use hanging rubbers for late cars.

Fitting kit, side exit	WPE3003X	£42.50
Fitting kit, centre exit	WPE3002X	£28.20
Subframe hanger bracket, front	PME48	£15.70
Subframe hanger bracket, rear	PME49	£15.60
Hanging rubber	GEX7661	£3.76
Catalytic converter gasket	GEX7761	£2.10



STEPPED ADAPTOR

This useful adaptor allows the fitting of any back box to a standard system. Simply cut the existing system where appropriate.

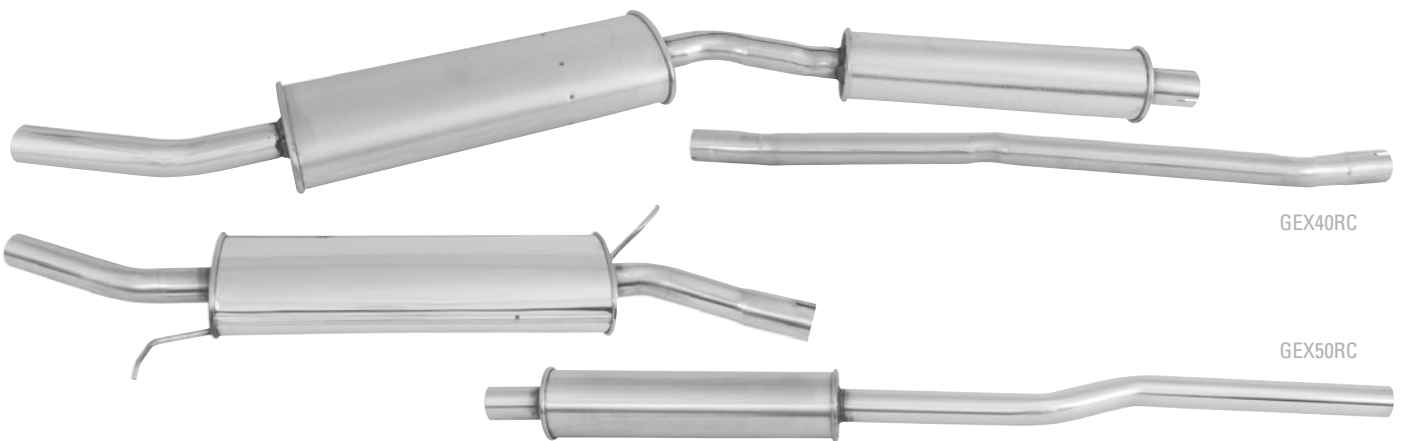
Stepped adaptor, 1.25" to 2"	PME43X	£23.26
------------------------------	--------	--------



MIKALOR EXHAUST CLAMPS

These high quality stainless steel clamps are ideal for use on your Mini exhaust. The strap design and clamp mechanism ensure that even clamping pressure is applied all round the joint.

Mikalor clamp, 1 1/2", 37-40mm	TT9930S	£2.50
Mikalor clamp, 1 5/8", 40-43mm	TT9931S	£2.75
Mikalor clamp, 1 3/4", 43-47mm	TT9932S	£3.60
Mikalor clamp, 1 7/8", 47-51mm	TT9933S	£2.56
Mikalor clamp, 2", 51-55mm	TT9934S	£2.60
Mikalor clamp, 2 1/4", 55-59mm	TT9936S	£2.80
Mikalor clamp, 2 1/2", 63-68mm	TT9938S	£3.00



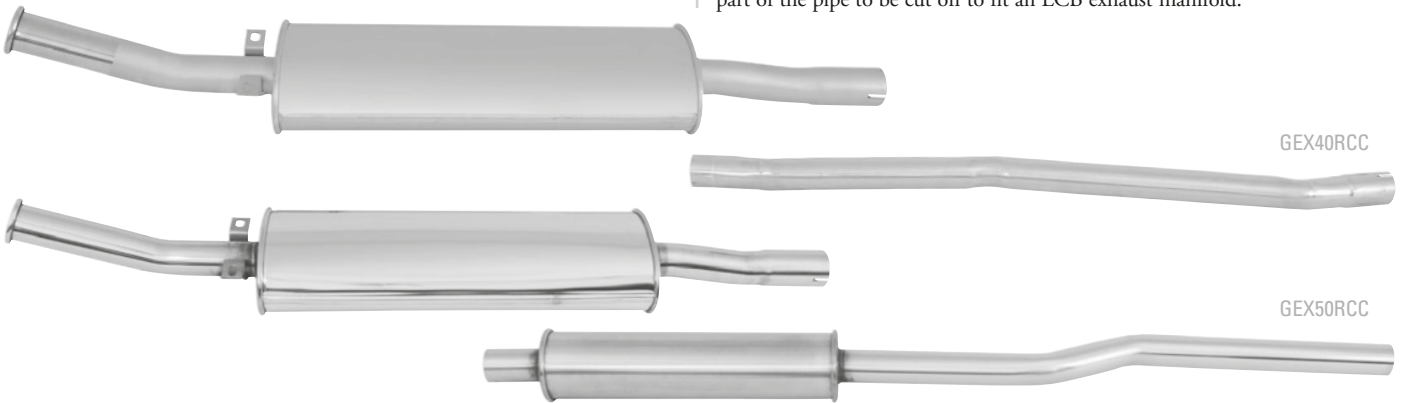
GEX40RC

GEX50RC

RC40 & RC50 EXHAUST SYSTEMS

The RC40 and the stainless steel version, the RC50, are renowned as 'the systems' to have when improving the Mini performance. With tuned silencer boxes, and computer optimised tube lengths the system can release more power especially when combined with the LCB manifold.

We also stock just the rear RC40 silencer fitted with a pipe to bolt straight on to the catalyst for cars built late 1991-on SPI & MPI (not early carb cooper's). The intermediate pipes are the correct length and shape to fit directly to the Cooper Freeflow exhaust manifold but will require a short length of the front part of the pipe to be cut off to fit an LCB exhaust manifold.



GEX40RCC

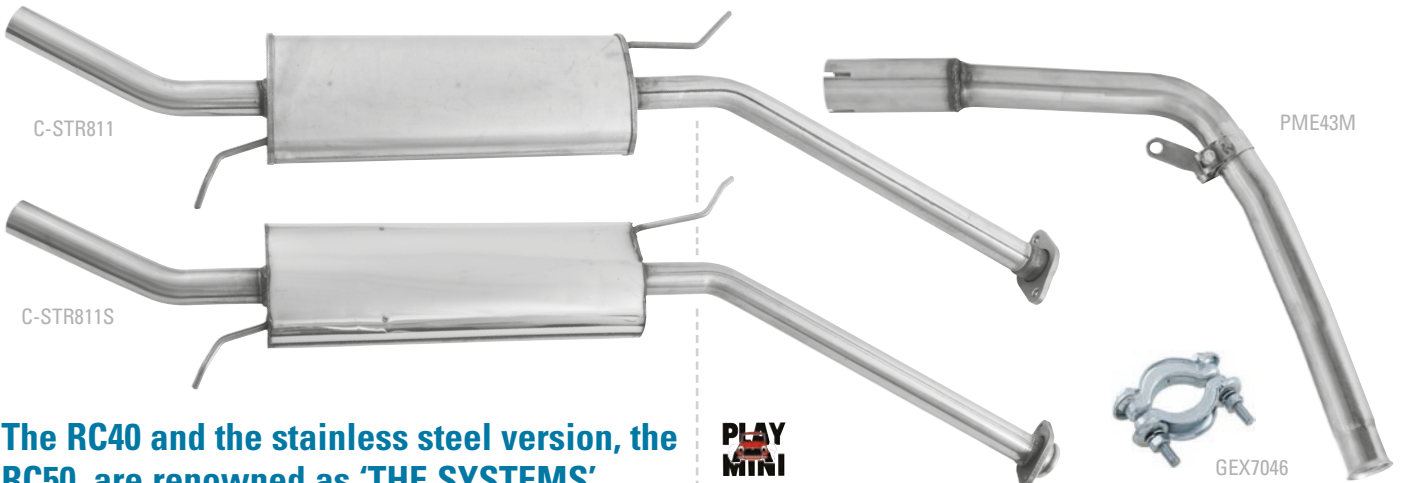
GEX50RCC

RC40 & RC50 exhaust systems - carburettor models without catalyst

(All kits include intermediate pipe).

- RC40 system, side exit single box, mild steel . . . GEX40RCS . . . £49.80
- RC40 system, side exit twin box, mild steel . . . GEX40RC . . . £60.76

- RC50 system, side exit twin box, stainless steel . . GEX50RC . . . £228.00
- RC40 system, centre exit single box, mild steel . . GEX40RCC . . £90.00
- RC50 system, centre exit single box, stainless steel . GEX50RCC . £240.00
- RC40 early type exhaust fitting kit GEX40FK . . . £13.20



C-STR811

PME43M

C-STR811S

GEX7046

The RC40 and the stainless steel version, the RC50, are renowned as 'THE SYSTEMS'...



PLAY MINI MAGIC PIPE

RC40 exhaust systems - carburettor & injection catalyst models (1991-On)*
 (*Not early Cooper carb models).

- Silencer Assy., RC40, catalyst back, mild steel . . C-STR811 . . . £81.30
- Silencer Assy., RC40, catalyst back, stainless steel . C-STR811S . . £132.00
- Catalyst gasket GEX7761 £2.10
- Exhaust hanger, rubber GEX7661 £3.76

For those of you who don't want to fit an LCB manifold to the car this pipe is designed to fit to the original cast manifold but will enable you to fit most of our systems to your car. **Please note this pipe is for carb models only.**

- Down pipe, Magic Pipe, stainless steel PME43M . . . £57.80
- Manifold clamp GEX7046 £2.66
- Exhaust clamp, 2" GEX9009 £1.04

PERFORMANCE EXHAUSTS



Many Classic Mini owners like the rumble from a performance exhaust system. There are many options available and it can be confusing trying to work out what piece fits with what...

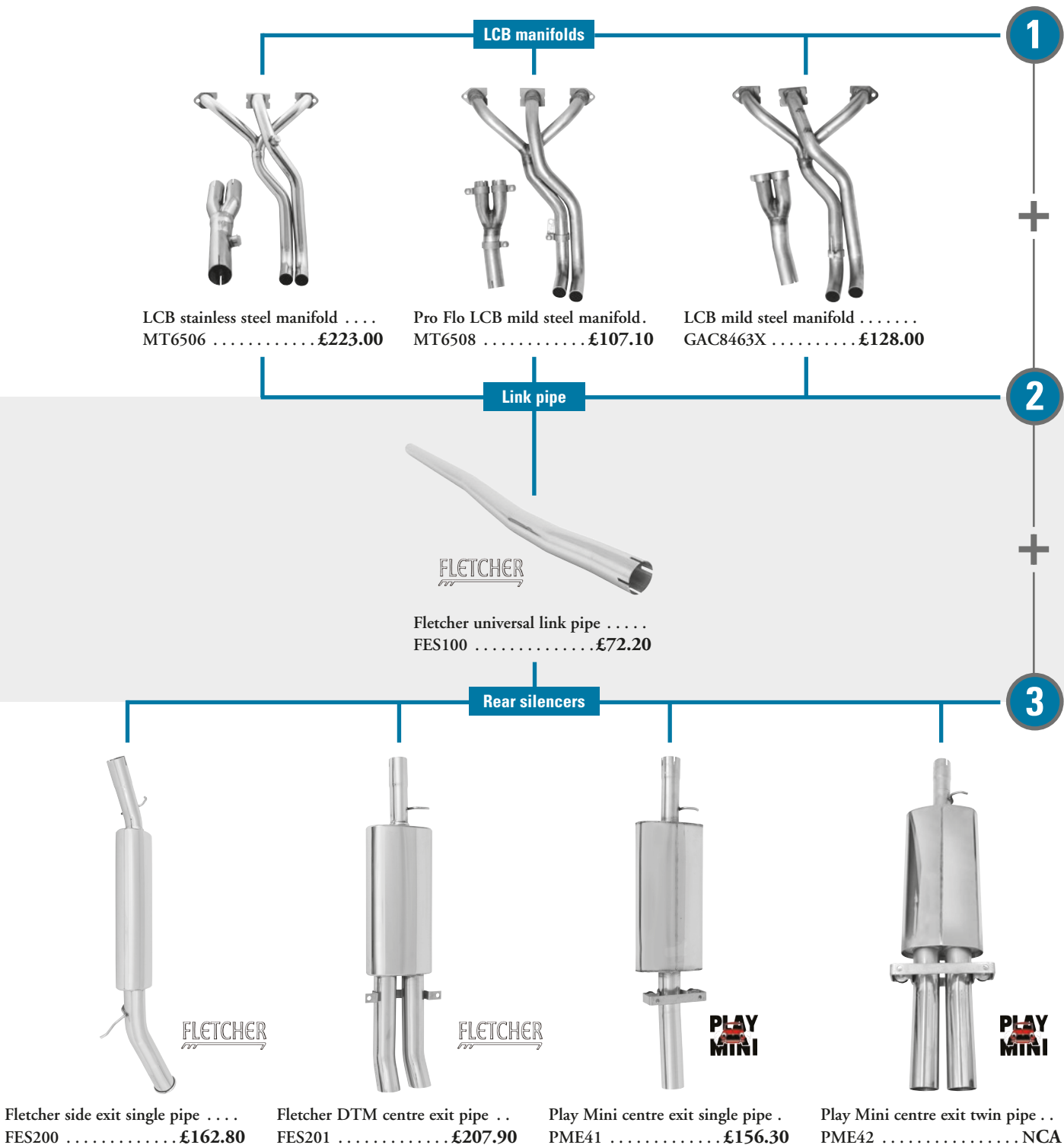
To help with the selection of our performance exhaust systems, we have added these simple layouts for carburettor and injection models to make things a little clearer. It's as easy as 1, 2, 3, (4, 5)... The layout starts at the front of the car with the manifold working its way back.

The selected exhaust system pieces shown here are known to fit together so that you can choose the pieces you want and avoid any problems with fitment.

If you're still unsure about what you need please call us and we will be happy to help.



CARBURETTOR MODELS WITHOUT CATALYST



INJECTION MODELS WITH CATALYST

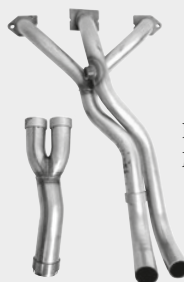
LCB manifolds

1

LCB mild steel manifold
MT6505 **£173.00**



Pro Flo LCB mild steel manifold.
MT6507 **£107.10**



Front link pipe (LCB to catalyst)

2

Fletcher front link pipe
FES101 **£37.70**



Play Mini front link pipe
PME51 **£42.00**



Catalyst replacement pipe

3

Note: You will only require the replacement pipe (FES103) if you are replacing the catalyst. If you are retaining the catalyst, see our restoration parts section for catalyst options.

Fletcher cat replacement pipe
FES103 **£41.90**



Rear link pipes (catalyst to silencer)

4

Fletcher rear link pipe
FES102 **£41.30**



Rear silencers

5



Fletcher side exit single pipe
FES200 **£162.80**



Fletcher DTM centre exit pipe
FES201 **£207.90**



Play Mini centre exit single pipe
PME41 **£156.30**



Play Mini centre exit twin pipe
PME42 **NCA**



NGK SPARK PLUGS & PLUG CAPS



Changing the spark plugs regularly ensures the engine performs well. NGK are renowned for making performance plugs giving a strong spark and long life.

Spark plugs

- Spark plug, all engine cc, standard tune. BP6ES. £3.20
- Resistor spark plug, all engine cc, standard tune . BPR6ES £5.50
(For radio suppression).
- Spark plug, tuned road BP7ES. £4.00
- Spark plug gold palladium electrode, tuned road. BPR7EIX. . . . £15.00

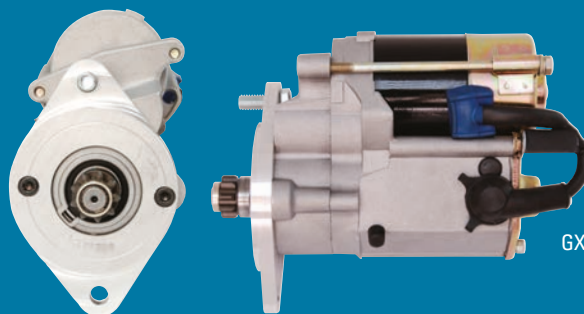
Plug caps

- Straight plug cap, red, each NSB5. £3.90
- Straight plug cap, black, each. NSB5BLK. £3.70
- 60° plug cap, red, each. NYB5 £3.90
- 60° plug cap, black, each NYB5BLK. £5.20
- 90° plug cap, red, each. NLB5 £5.50
- 90° plug cap, black, each NLB5BLK. £3.16
- Push-in connector distributor cap & coil, each . . GCL1110 £2.52

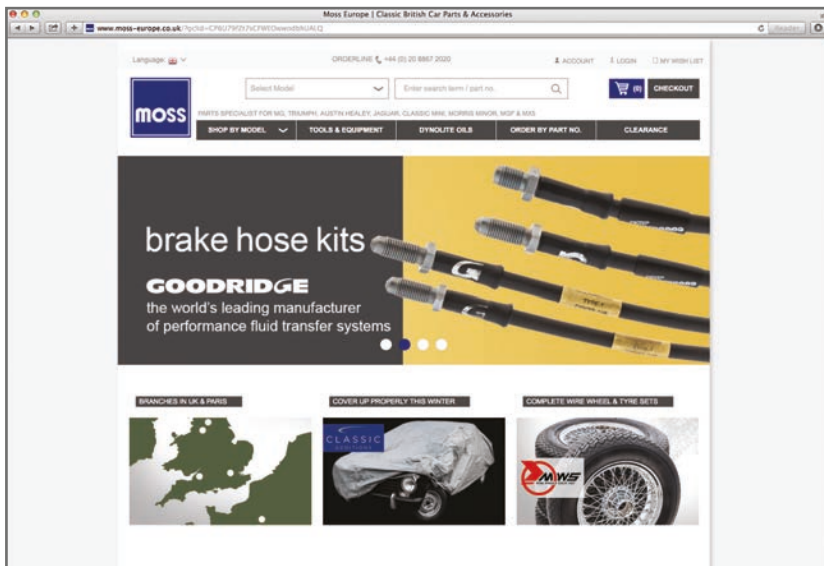
HIGH TORQUE STARTER MOTOR

These high torque starter motors offer increased torque and are a straight replacement for the original, however only weighs 3.9kg. The huge increase in cranking power is essential for engines with increased compression ratios.

- High torque starter motor, inertia type GXE4404X . .£222.80
- High torque starter motor, pre-engaged type. . . GXE4527X . .£222.80



GXE4527X



HARNESS THE POWER

moss-europe.co.uk "Available to you whenever you want!"

Have easy access to everything in this catalogue, including multiple product images and our detailed schematics. Benefit from the latest parts information, availability and pricing.

Furthermore, you will have up to the minute

information about our sale offers and clearance sale items. All this and more... available on your computer, smartphone, iPad and tablet.

Visit **moss-europe.co.uk** and harness the power.





GAC8470X

GAC8470CC

COIL CLAMP & COVER

Brighten up your engine bay with our stainless steel coil clamp and covers for standard coils only.

- Stainless steel coil clamp only GAC8470X **£9.70**
- Stainless steel coil clamp & coil cover set GAC8470CC. . **£14.80**



MT3201

SILICONE HT LEADS

These HT lead sets are made from high quality silicone. Offering high conductor performance with awesome looks.

- Performance HT leads 8mm, blue. MT3200 **£15.40**
- Performance HT leads 8mm, red. MT3201 **£15.40**



GDC103

COBALT PERFORMANCE HT LEAD SETS

Get the spark from your coil with silicone HT leads that are designed to perform. These Cobalt leads use a high performance conductor to transmit greater energy to the spark plug creating a stronger spark for improved combustion. They also feature multi-layer reinforcing and insulation with protective silicone outer sleeve and terminal boots for improved reliability.

Engines with a Lucas 25D distributor require a top entry 'push in' type distributor cap GDC103.

- Cobalt silicone lead set, 848cc-1275cc. TMG10872. . . **£24.50**
- Top entry push in distributor cap, 848cc-1275cc. GDC103 **£6.10**



HT LEAD NUMBERING SET

Keep track of which HT lead is which with a set of four numbered sleeves.

- HT lead numbering set, 4 cylinder CRST255 **£4.60**



GCL1110

TT29812

TT2981

SPORTS COILS

Sports coils are designed to improve ignition performance. They give more reliable starting power and greater performance at high revs thanks to the 40,000 volt output.

Don't forget to renew your plugs and leads to optimise the power. Only use the ballast type coil if your car is fitted with a ballast resistor in the wiring. Please check before ordering. Your HT lead into the coil will need to be the push-in type, use GCL1110 to convert the lead.

- Sports coil, non-ballast type. TT2981. **£24.60**
- Sports coil, ballast type TT29812. **£24.60**
- Ignition lead end kit GCL1110 **£2.52**



TT2982M

COMPETITION HT LEAD

If you want a performance HT lead with the correct period look then this 'bumblebee' lead is a must. As per the original 'Lucas' type it features a high conductivity copper core with a yellow insulator featuring a black stripe. Alternatively, use the standard black lead for an 'OE' look. We recommend you assemble leads with NGK suppressed plug caps.

- Bumblebee HT lead, per metre TT2982M. **£6.30**
- HT lead, per metre, black AAA5981M. **£2.75**



AUU1536

ELECTRONIC DISTRIBUTOR

This electronic distributor was originally fitted to all standard Cooper 1275cc carb models. It can also be used on any A+ 1275cc car using a carburettor! No points or condenser to worry about either. Also available is the plug & lead to connect to the existing wiring.

- Electronic distributor & lead kit, 1275cc. AUU1536K. . . **£78.00**
- Electronic distributor, 1275cc, carb. models AUU1536 **£81.60**
- Plug & lead 54966877 **£6.90**
- Cap GDC156 **£3.50**
- Rotor arm GRA2143 **£2.70**

CSI-IGNITION DISTRIBUTORS

CSI-Ignition distributors offer a fully electronic ignition system built into the correct type of Lucas distributor housing to suit your car, keeping the original appearance in the engine bay. You can only tell the difference when you remove the distributor cap! Gone are the points and condenser and mechanical advance mechanism, all replaced with a high quality electronic ignition system manufactured using military specification components for durability and reliability. These distributors are maintenance free (no points to adjust), and offer the benefits of, easier starting & smoother running, more torque & power, reduced fuel consumption & emissions. They also eliminate the weaknesses of mechanical timing advance and problems such as points bounce ensuring correct ignition timing throughout the rev range.



“The new range of CSI-Ignition distributors is a breakthrough for classic car ignition systems”.

Each CSI-Ignition distributor features 16 easily switchable, optimised ignition curves to allow timing adjustment to suit your car’s engine and fuel specifications. Alternative advance curves can be selected to suit your engine’s state of tune making them ideal for modified engines. Curves are easily selected using a screwdriver in a rotary switch, with a bright flashing LED indicator to show the selected curve all concealed underneath the distributor cap. The distributors are also available with an electronic immobiliser system to prevent unwanted starting of the engine.

We offer a wide range of CSI-Ignition distributors for a variety of applications. They are available Optimised with vacuum advance to suit road or uprated cars running on SU carburettors, or tuned without vacuum advance for cars running Weber type carburettors. Please note: Some units may only be available to order. More details are available on our website, search for CSI-Ignition Distributor.

Distributors for pre A+ engines - 850cc-1275cc, inc. Coopers (Lucas 25D)

Optimised, 25D4, positive earth	CSD8014571	£275.00
Tuned, 23D4, positive earth	CSD8023571	£260.00
Optimised, 25D4, negative earth.	CSD8014581	£275.00
Tuned, 23D4, negative earth.	CSD8023581	£260.00
Optimised with immobiliser, 25D4, positive earth	CSD8014671	£430.00
Tuned with immobiliser, 23D4, positive earth . .	CSD8023671	£415.00
Optimised with immobiliser, 25D4, negative earth	CSD8014681	£430.00
Tuned with immobiliser, 23D4, negative earth..	CSD8023681	£415.00

Distributors pre A+ engines - 850cc-1275cc (Lucas 45D)

Optimised, 45D4.	CSD8014582	£275.00
Tuned, 43D4.	CSD8023582	£260.00
Optimised with immobiliser, 45D4	CSD8014682	£430.00
Tuned with immobiliser, 43D4	CSD8023682	£415.00

Distributors A+ engines - 850cc-1275cc (Lucas 59D)

Optimised, 59D4.	CSD8014583	£275.00
Tuned, 59D4.	CSD8023583	£260.00
Optimised with immobiliser, 59D4	CSD8014683	£430.00
Tuned with immobiliser, 59D4.	CSD8023683	£415.00

You must use the conventional (non-transformer) type coil with a minimum internal resistance of 2.5 Ohms, such as our sports coil TT2981 (3.0 Ohms) Bypass the ballast resistor if fitted. The use of a transistor type coil will damage the CSI distributor and invalidate any warranty.

Sport coil, 3 ohms TT2981. £24.60



NEW CSI-PRO DISTRIBUTORS

The CSI-PRO-Ignition is a programmable distributor for your British classic car, allowing you to adjust and program the advance curves yourself. Two selectable pre-sets (modes) can be programmed, each with its own RPM and vacuum curve. Plus, various other settings such as speed limiter, maximum total advance and minimum RPM speed for activating the vacuum advance. Edit and Write curves, even while the engine is running! The CSI-PRO-Ignition has the unique possibility to write the curves and other settings to the distributor, even while the engine is running, and to have the changes take effect immediately! The static setting (offset of 0 degrees) can also be shifted in steps of 1 degree, up to 10 degrees positive and up to 10 degrees negative, without having to rotate the distributor itself. An acceleration timer measures the time between 2 pre-set speeds to measure and compare the engine’s performance. An external switch can be used for switching between the 2 modes.

Key features

- Edit and write curves even while the engine is running.
- Two pre-set modes for curves and settings.
- More unique programming options.
- Connectable with a USB module for Windows and/or with a Bluetooth
- Smiths style dashboard; real life data.
- Lucas style 25D, 45D, 59D.

The CSI-PRO can be linked with either the USB module or a Bluetooth module allowing the distributor to be programmed with a Windows laptop or an Android / iOS smartphone. Free software is provided for Window, Android and iOS.

25D4, without immobiliser, negative earth	CSD9933581	£357.00
25D4, without immobiliser, dual polarity	CSD9933562	£374.00
45D4, without immobiliser, negative earth	CSD9933583	£357.00
25D4, without immobiliser, negative earth	CSD9933581	£357.00
59D4, without immobiliser, negative earth	CSD8033581	£357.00
USB programming module	CSD9931	£51.00
Bluetooth programming module	CSD9932	£76.50



222-405



PERTRONIX IGNITION

These completely self-contained electronic ignition units offer a simple alternative to traditional points and condenser arrangement. They are easy to install with no external control boxes to mount and only two wires to hook up and no permanent modifications involved. The unit uses a sealed Hall Effect sensor that is impervious to dirt, dust, moisture, or vibration, and retains standard advance curve. Unaffected by distributor shaft wear, maintains firing accuracy to within 1/4 degree, reduces spark scatter over the full rpm range. The NEW Ignitor II has many of the same great features that the Ignitor I has, but even more. The Ignitor II units sense the coil current level and use a powerful micro controller to adjust the dwell. Variable dwell helps to maintain peak energy throughout the entire RPM range. Ignitor II systems develop significantly more energy between 3000 and 5000 RPM than standard ignition systems. One year warranty.

Pertronix Ignition I, Lucas, 23-24-25D4	222-405	£184.40
Pertronix Ignition I, Lucas, 45D4	222-435	£184.40
Pertronix Ignition II, Lucas, 23-24-25D4	143-321	£240.00
Pertronix Ignition II, Lucas, 45D4	143-323	£229.40



BREATHER FILTERS

Performance engine breather filters are an alternative to running pipes from the clutch housing and timing cover breathers. Short stack filters are available in three colours and simply push onto the breather. Just remember to block off the other on the carb or air filter end where the original pipe was attached.

- 1 Breather filter, 12mm inlet, blue MT1200 £7.60
- 2 Breather filter, 12mm inlet, chrome MT1201 £6.50
- 3 Breather filter, 12mm inlet, red MT1202 £7.60

K&N breather filters

- 4 Engine inlet breather filter KN62-1010 . . . £29.20
- 5 Crank breather filter KN62-1330 . . . £26.40



K&N PERFORMANCE FILTERS (AIR & OIL)

K&N air filters are probably the most efficient way of ensuring clean, dirt free air for the engine without compromising performance. We supply a tapered filter to fit as a replacement to the standard filter and case assembly within the confines of the engine bay. For those who wish to have the increase in cleaning and air flow efficiency without the increased noise, we offer a replacement filter element to fit directly into the standard filter casing.

- Twin HS2 pancake filter, 850cc-1275cc (to 74) . KN56-1630A. £125.00
- Twin HS4 K&N filter assembly KN56-9128 . . . £94.50

- Tapered HS4 K&N filter, 1000cc KN56-9320 . . £102.00
- Tapered HIF44 K&N filter, Cooper, 1300cc . . KN56-9330 . . £110.20
- Tapered HS6 K&N filter. KN56-9327 . . £121.20



K&N air filters (180mm x 120mm) for Weber carburettors

- DCOE fitting 45mm, 1 3/4", deep KN56-1270 . . £100.00
(Not suitable for ram pipes).
- DCOE fitting 45mm, 1 3/4", deep KN56-9106 . . £99.80
- DCOE fitting 63mm, 2 1/2", deep KN56-9104 . . £98.70
- DCOE fitting 83mm, 3 1/4", deep KN56-9265 . . £95.50



K&N air filter kit

- SPI performance filter kit KN57-0082 . . £112.00
(Complete with cold air ducting kit).



K&N replacement elements

- HS4 & HIF38 replacement element* (non inj) . KNE2601 . . . £46.20
- SPI & MPI replacement element* (injection) . . . KNE9172 . . . £48.60
(*Fits into standard case).



K&N CLEANER & OIL KIT

The cotton gauze filter elements need cleaning when they clog up to give their best. Use K&N fluid then re-oil the filter to maintain optimum filtration levels. Comes with 355ml of cleaner fluid and 204ml of oil.

- K&N cleaner & oil kit. 001-130 £18.00



CONE AIR FILTERS

These high quality stainless steel performance cone air filters improve air flow to the carburettor and increases induction noise. This type of air filter can be removed, cleaned, re-oiled and then fitted time and time again.

- Cone air filter, HIF44 MT3210 £32.00
- Cone air filter, HS4 MT3211 £32.00



RAM PIPES

Ram pipes for Weber and Dellorto carbs

These ram pipes are designed to improve air flow into the Weber and Dellorto carburettors, ideal for use with or without filters, space permitting.

- 1 40 DCOE/DHLA, 16mm ram pipe KNSS1640 . . . £41.50
- 2 40 DCOE/DHLA, 26mm ram pipe KNSS2640 . . . £41.50
- 3 40 DCOE/DHLA, 39mm ram pipe KNSS3940 . . . £41.50
- 45 DCOE/DHLA, 16mm ram pipe KNSS1645 . . . £41.50
- 4 45 DCOE/DHLA, 26mm ram pipe KNSS2645 . . . £41.50
- 45 DCOE/DHLA, 39mm ram pipe KNSS3945 . . . £41.50



Ram pipes for SU carburettors

These fully radiused ram pipes improve air flow into the SU carburettor, ideal for use with or without filters (space permitting). The K&N ram stack is designed for their own filter assemblies.

- 5 HS4 K&N ram pipe, silver. KN85-5039 . . . £23.00
- HS2 ram pipe, silver. SFR230 £31.10
- 6 HS4 ram pipe, silver. SFR430 £33.00
- 7 HS6 ram pipe, silver. SFR650 £31.10
- 8 HIF44 ram pipe, silver SFR4430 £35.20



MOTO-LITA STEERING WHEELS

Moto-Lita are among the finest replacement steering wheels available. Designed to enhance the appearance of the cockpit and provide an improved feel for the driver.

Available in a variety of styles, including polished or black painted spokes, with the option of polished wood or black leather rims.

Available in 13" to 15" diameters. Boss kits for each specified model of car are required for fitting (available separately).

Moto-Lita

See page A50 for more information



K&N AIR FILTERS

Anyone can flow more air. The trick is to flow more air safely. K&N filters have a reputation as being one of the most efficient air filtration available.

K&N air filters have 4 to 6 layers of cotton gauze sandwiched between two aluminium wire screens. The cotton is treated with a specially formulated grade of oil causing tackiness throughout the cotton. The cotton allows high volumes of airflow, while the

tackiness of the oil creates a powerful filtering media that ensures engine protection.

- Designed to increase horsepower and acceleration
- Washable and reusable



See page A23 for more information



FUEL INERTIA SWITCH KIT

This inertia switch is a good safety feature when using an electric fuel pump. The unit mounts to a vertical surface in the engine bay and in the unfortunate event of a crash cuts the power to the fuel pump preventing fuel spillage. Supplied with multi connector and tail leads to allow easy connections.

Fuel pump inertia switch kit C41220AX . . . **£38.00**

BATTERY CUT-OFF SWITCHES

Battery cut-off switches are a good idea for all cars. Fitting one enables you to quickly isolate the battery and immobilise the car; ideal when working on your car, or if you intend to put your car into storage. Use with a battery conditioner, see our website.



Battery mounted cut-off switches

These cut-off switches simply mount to the battery post and feature a screw-in knob to break the circuit. Available with a bypass fuse to allow sufficient current to pass to operate clocks, alarms and coded radios, but if any attempt is made to start the car the fuse will blow.

Battery mounted cut-off switch GAC3192X . . . **£8.00**
 Battery mounted cut-off switch with bypass fuse . GAC31921 . . . **£13.80**



In-line cut-off switches

These cut off switches need to be fitted into the main battery to starter cable. The body of the switch should be mounted securely to the car and cables fitted using the terminal kit.

Period cut-off switch

These are reproductions of the Lucas 'Battery Master Switch' which was a popular accessory on many British classics.

Period battery cut-off switch, short knob 1B2804 **£37.20**
 Period battery cut-off switch, long knob 1B2804L **£37.20**



Motorsport cut-off switches

Battery cut-off switches are obligatory for competition cars and should be fitted with a cable for remote access.

Battery cut-off switch TT7964 **£9.40**
 Battery cut-off switch, race spec., FIA approved . TT7962 **£31.40**
 Remote cable, 6 foot TT79621 **£9.60**
 Spare key for switches TT7964 & TT7962 TT79641 **£5.60**
 Terminal kit for battery cable TT7964TK . . . **£10.80**



TMG2930K

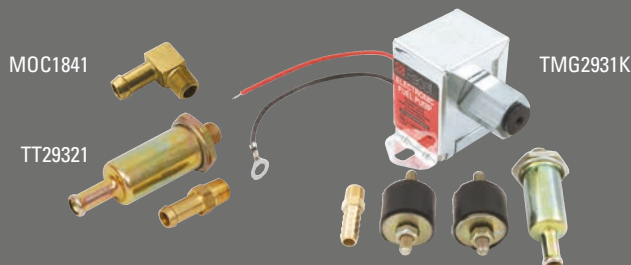
HIGH CAPACITY FUEL PUMPS

The standard fuel pump may not be able to maintain adequate fuel flow and pressure at higher engine speeds, particularly with a tuned engine. The Facet range of fuel pumps will suit all standard and modified engines fitted with carburettors. They give constant fuel flow and pressure, even at high temperatures eliminating the problems associated with vapour lock. The pumps are available in a variety of specifications to suit the engine's fuel pressure and flow requirements. Further fine tuning of the fuel pressure can be easily achieved by the use of a separate fuel regulator, see website. With safety in mind we recommend fitting a fuel pump inertia switch kit, so that in the event of an accident fuel delivery is automatically cut-off. Fuel lines may require adapting to install the new pump, check pipe sizes to select the correct unions, additional unions may be required.

Cylindrical fuel pumps

Formerly known as interrupter type pumps, these heavy duty pumps can be fitted at the front or rear of the car and up to 600mm above the bottom of the fuel tank. Kits are supplied with mounting & 8mm unions, alternative size unions available.

Cylindrical fuel pump kit, road, silver top TMG2930K . **£134.35**
 (Up to 150bhp, flow rate: 30 gal/hr, 4.0-5.50 psi, unions: 8mm x 1/8 npt).
 Cylindrical fuel pump kit, fast road, silver top . . . MGS2930K . **£139.90**
 (Up to 200bhp, flow rate: 35 gal/hr, 6.0-7.0 psi, unions: 8mm x 1/8 npt).
 Cylindrical fuel pump kit, competition, red top . MGS2932K . **£120.80**
 (Above 200bhp, flow rate: 40 gal/hr, 6.0-8.0 psi, unions: 8mm x 1/8 npt).
 Cylindrical fuel pump only, competition, red top. TT2930 **£121.15**
 (Above 200bhp, flow rate: 40 gal/hr, 6.0-8.0 psi, 1/4 npt threads).



Solid state fuel pumps

These pumps should be mounted at the rear of the car (as they are designed to push fuel rather than draw fuel) and ideally below fuel tank level, although they will work up to 300mm above the bottom of the fuel tank. Kits are supplied with mounting & 8mm unions, alternative size unions available.

Solid state fuel pump kit, fast road TMG2931K . . **£75.20**
 (Up to 150bhp, flow rate; 32 gal/hr, 4.5-7 psi, unions: 8mm x 1/8 npt).
 Solid state fuel pump only, fast road MGS2931 . . . **£54.00**
 (Up to 180bhp, flow rate: 34 gal/hr, 7.0-10.0 psi, 1/8 npt threads).

Fuel pump unions

Use with the listed fuel pumps, please check thread and pipe size before ordering.

Straight union, 6mm (1/4"), 1/8 npt. FPA903B **£1.75**
 Straight union, 8mm (5/16"), 1/8 npt. MOC1604 **£3.70**
 Straight union, 10mm (3/8"), 1/4 npt. FPA904/B **£3.25**
 90° union, 8mm (5/16"), 1/8 npt MOC1841 **£7.20**
 90° unions, 8mm (5/16"), 1/4 npt, pair TT2930A **£6.85**
 90° unions, 8mm (3/8"), 1/4 npt, pair FPA902B **£7.20**

Fuel filter union

Unions, 6mm (1/4"), 1/8 npt, pair TT29321 **£7.20**

ISOLATE THE BATTERY

UPDATED BRAKE PADS

EBC brake products are renowned for their high quality and excellent performance. All grades of brake pad use Kevlar as the binding material rather than the traditional steel, this prevents the build up of corrosive brake dust that can damage alloy wheels.

Tested in rally cars, these pads are high friction, fade resistant with immediate pedal response with a fantastic wear life. We stock their Ultimax and updated Greenstuff and Yellowstuff high performance brake pads.



STR505G

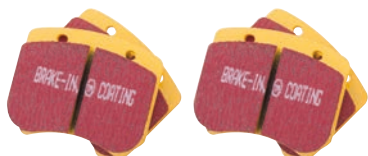
EBC brake pads

EBC Greenstuff brake pads are a high efficiency upgrade pad which will increase your car's stopping power by 20% over standard replacement pads.

Greenstuff pads, 10" wheels, 998cc Cooper GBP102G . **£36.00**

Greenstuff pads, 10" wheels, 1275cc, Cooper S GBP103G . **£40.00**

Greenstuff pads, 12" wheels, 1275cc, (to 1974, 1984 on) . STR505G. . **£38.40**



GBY103Y

EBC Yellowstuff brake pads are formulated for fast road use and track day use. The higher heat range means they will resist the effects of brake fade under heavy braking.

Yellowstuff pads, 10" wheels, 998cc, Cooper GBP102Y. . **£59.60**

Yellowstuff pads, 10" wheels, 1275cc, Cooper S GBP103Y. . **£77.15**

Yellowstuff pads, 12" wheels, 1275cc, (to 1974, 1984 on) . STR505Y . . **£84.30**



Brake pads

M1144 is a hard wearing material ideal for fast road and track day use, giving good wear resistance and reduced fade under hard braking.

M1144 set, 1275cc to 1974 & 1984 on STR5051 . . **£48.00**



GBP258G

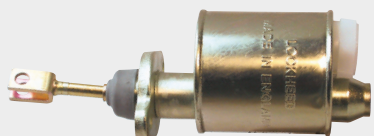
UPDATED PADS FOR 4 POT BRAKES

Choose from the following options, heavy duty Kevlar for every day use Green for fast road use and Yellow for fast road and track days. This range of performance pads will fit all known 4 pot calipers (except the Wilwood kit).

Kevlar pads for 4 pot, road GBP258KV. **£30.10**

Greenstuff pads for 4 pot, fast road GBP258G . **£47.00**

Yellowstuff pads for 4 pot, fast road/track day GBP258Y. . **£74.80**



BRAKE MASTER CYLINDER

This large round reservoir brake master cylinder is suitable for Cooper S models or when upgrading your Mini to disc brakes.

Brake master cylinder, .70 bore GMC172 . . **£86.00**

4 POT BRAKE PARTS

Brake discs are something that will eventually need to be replaced, easy enough if you have a standard brake setup but not so easy if you have four pot solid or vented discs fitted to you Mini!

These brake parts will fit K.A.D. & Metro set ups. The high quality discs are suitable for all 8.4in vented applications. See Restoration section for our full range of brake components.

Vented brake discs, each MT1203 **£35.00**
 Stainless steel caliper piston, 4 pot, each MT5402 **£12.20**
 Seal kit for 4 pot calipers, 1 caliper GRK5003 **£10.50**
 Drive flanges, each NAM6450F. **£42.70**
 Split pins for 4 pot calipers*, set of 4. TMG307521. **£2.05**
 (*Can also be used with Cooper models).

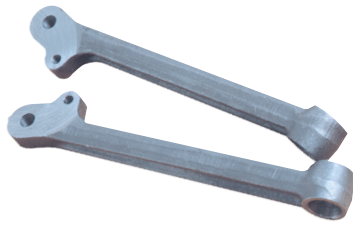
BRAIDED BRAKE & CLUTCH HOSES

The braking efficiency of your car can be increased by using high quality stainless steel braided brake hoses. Normal hoses expand slightly when brakes are applied. This expansion can now be reduced by using the stainless steel braided hoses, thus improving the feel of the pedal.

Goodridge braided hoses, front, pair GBL803120. . . **£32.80**
 Goodridge braided hoses, Metro 4 pots, front, pair . GLB803121. . . **£51.80**
 Goodridge braided hoses, rear, pair GLB804120. . . **£24.80**
 Goodridge braided hoses, rear, pair, no metal pipe*. GBL804121. . . **£49.10**
 (*This hose goes from the subframe bracket to direct to wheel cylinder replacing the metal pipe).

Braided brake hose set, all models* GBL802121. . . **£62.20**
 (*This is a universal kit that fits both disc and drum brake cars. On some models a banjo fitting is used on one of the hoses and it will bottom out, cut 3mm off the banjo bolt thread).

Braided diaphragm clutch hose GBL808120. . . **£15.00**
 Braided Verto clutch hose GLB808121. . . **£14.50**
 Braided universal clutch hose*. GLB808122. . . **£24.80**
 (*This universal clutch hose goes directly from the master cylinder to the slave cylinder, with banjo fittings at both ends).



NEGATIVE CAMBER LOWER ARMS

Adding negative camber improves the ability of the car to turn-in on a corner and as weight is transferred to the outside wheel, it will increase the contact area between the tyre and the road, giving you more grip.

These replacement lower arms offer varying degrees of negative camber over the standard item i.e. If a standard car leaves the factory with 1° positive camber, then fitting these arms will give 0.5° negative camber.

Because the front suspension consists of 2 unequal length arms, lowering the front ride height increases negative camber and conversely raising the front ride height will increase the positive camber.

Negative camber lower arms, 1.5°, pair WPT9001X . . . £63.80



PEDAL BOX ASSEMBLY

This Mini pedal box is a lightweight mild steel under-slung design, that offers the driver the highest level of efficiency in this critical area. The ergonomic design features a fabricated lightened steel brake and clutch pedal with oil impregnated spherical bushes that sets new standards in pedal box design. This pedal box is fitted with a bias bar that operates a dual master cylinder braking system, giving total control over the braking from front to rear. Kit contains: 1 x 3 pedal Mini pedal box, with bias bar, 3 x master cylinders, 1 x clevis, 3 x reservoir, 3 x stainless steel 560mm long feed hoses, 1 x bias cable adjuster.

Pedal box assembly, brake bias, 6:1 ratio MPB1275 . . . £714.00



SUPERFIN ALLOY BRAKE DRUMS

A brand new superior lightweight alloy brake drum, pressure die cast with 25% more fins for extra cooling to improve braking efficiency and built-in spacer to give increased strength and reliability. Direct replacement for all post 1984 cars, Cooper S and 1275 GT's rear drums.

Superfin alloy brake drums, pair MT1210 £86.00



ON CAR ADJUSTABLE LOWER ARMS

New design lower arms are now supplied with both rose joints and original bush type fittings. Adjustable on car lower arms make life much easier to set up for track days and if the car has been lowered and negative camber is required. (Supplied as a pair).

Adjustable lower arms, pair C-AJJ3363 . . . £136.20

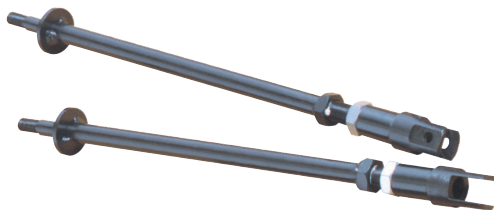


REMOTE BRAKE SERVO KIT

For those who find the brake pedal rather hard after driving more modern vehicles, these remote servo kits make braking easier by reducing pedal effort. Suitable for all single line brake circuits they are remote mounted and easily plumbed into the hydraulic and vacuum systems of the car. We offer both a Lockheed and aftermarket kit, both are supplied with mounting brackets and hardware.

Remote brake servo kit, Lockheed TT3949 . . . £208.06

Remote brake servo kit, aftermarket TT3949Z . . . £97.50

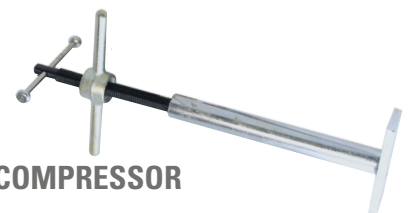


HEAVY DUTY TIE BARS

Tie bars perform the important function of controlling the front to rear movement of the front wheels under acceleration and braking. With recent improvements in the braking components that are now available for the Mini, it is possible for the standard tie bars to flex. This reduces the stability of the car and produces a feeling that the car is wandering. The increased diameter of these heavy duty tie bars reduces this problem.

These tie bars also enable you to adjust the castor angle of the front suspension. The castor angle determines the amount of self centring of the steering. The more castor angle, the more effort is required to turn the steering wheel. 3° of castor is specified by Rover as the optimum setting.

Heavy duty tie bars, pair WPT9003X . . . £28.00



SUSPENSION CONE COMPRESSOR

These cone compressors are a must for changing rubber suspension cones or working on the front suspension of your Mini. Note: The new cones (Part no. FAM3968) have a metric thread.

Cone compressor, metric, cones only MT9600 . . . £30.60

Cone compressor, metric & imperial cones GAC9424X . . . £81.10



COIL SPRING CONVERSION

FAM3968HX

Designed 45 years ago the rubber cones that Sir Alec Issigonis and Alex Moulton gave were innovative and perfectly adequate for the day, they are a bit harsh for today's driving. An alternative is to replace the rubber cones with springs that are a direct replacement. Offered in two different spring rates.

- Coil spring kit, softer, blue FAM3968X . . .£426.30
(Front and rear coil spring kit 'soft' that replaces the rubber cone).
- Coil spring kit, firmer, red. FAM3968HX.£441.90
(Front and rear coil spring 'firm' kit that replaces the rubber cone).



KGE100060SPK

SUPERPRO POLYURETHANE SUBFRAME BUSHES

For a fast road or road car the best compromise is to use polyurethane. Our Superpro poly. bushes are the best compromise between subframe location and damping the road noise transmitted through the bodyshell.

- Front subframe tower pad kit, subframe set. KGE100060SPK £39.50
- Rear s/frame front mount kit split type axle set, to 1976 . 2A5818SPK. . . £16.94
- Rear s/frame front mount kit large axle set, 1976 on. 21A2560SPK. . £17.75
- Rear s/frame rear mount kit split type axle set, all models. 2A5818SPK. . . £16.94



SOLID FRONT SUBFRAME MOUNTS

Maximum subframe location is gained by using solid mounts. Ideal for a race car but will transmit more noise and road harshness into the bodyshell.

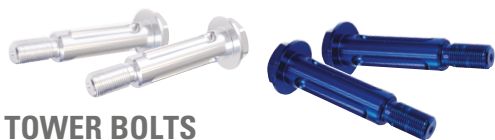
- Front subframe solid front mount*, each . . . 21A2624X. . . .£29.40
- 1 Front subframe solid front mounts*, pair . . . CSTR641£20.40
- 2 Front subframe solid rear mounts**, pair . . . CSTR642£20.40
(*Fits to front valance. **Fits to toe board).
- 3 Front subframe solid tower mount set. CSTR640£22.00
(Includes: 2 x tower oval pads & 2 x tower round pads).



SOLID FRONT SUBFRAME MOUNTING KIT

Red anodised alloy front subframe washers replace the turret mount pads and teardrop mount to the front valance, to reduce the movement of the front subframe, so helping the handling.

- Alloy front subframe washer kit, 8 piece MT1205£30.00



ALLOY TOWER BOLTS

- Anodised alloy tower bolt, silver, pair 21A2596XSPR. £65.80
- Anodised alloy tower bolt, blue, pair 21A2596XBPR. . .NCA
(For more subframe mount components see the Restoration section).



GAC8437X

HI-LO SUSPENSION KIT

Change the ride height on your Mini. The original Hi-Lo kit allows you to raise or lower the height of your car without dismantling the suspension assembly. Homologated by the RAC and Rover for rallying.

- Hi-Lo suspension kit GAC8437X . . .£128.11
- Adjustable cones kit, 2 x cones, 2 x 21A423 . . . GAC84371 . . .£55.90
- Extension rods, pair GAC84372 . . .£15.30
(Use with GAC84371 when fitting to rear suspension rear allen bar).
- Front allen bar GAC84374£7.20



GAC8432X

ADJUSTA-RIDE KIT

The most popular way to lower your Mini, while allowing easy and quick adjustment when needed. Using a simple threaded knuckle bar and lock nut system, you can easily raise or lower your Mini, without having to remove the top subframe mounts or drill the rear valance. The knuckle joints have also been re-designed for extra strength and durability.

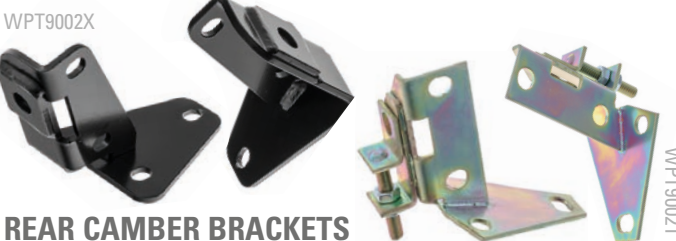
- Front adjusta-ride kit GAC8432X . . .£71.40
- Rear adjusta-ride kit. GAC8433X . . .£122.65



BUDGET ADJUSTA-RIDE KIT

A complete car set of adjusta-rides in polished alloy, including rear bars.

- Budget adjusta-ride kit. MT1301£106.20



REAR CAMBER BRACKETS

As with the front suspension, a small amount of negative camber on the rear suspension will improve handling. These brackets replace the standard outer radius arm bracket and will give 1.5° more negative camber. Unlike the front suspension, raising or lowering the rear ride height will not affect the camber angle. It is recommended that when more negative camber is used on the front, the rear should also be given more negative camber, to balance both handling and appearance.

- Rear camber brackets fixed 1.5° negative camber . WPT9002X. . .£30.60
- Rear camber brackets adjustable WPT90021 . . .£41.60



GAC84011XPR

GAC84041XPR

ADJUSTABLE SHOCK ABSORBERS

Shock absorbers are the first line in improving the handling of your Mini. We offer either Spax or Gaz front and rear adjustable shock absorbers for the Mini in either standard or lowered ride height option. Shock absorbers should be fitted as pairs to ensure the best performance and maximum safety of the car.

- Spax, front, standard height, pair GAC84011XPR . . **£160.00**
- Spax, front, lowered height, pair GAC84021XPR . . **£160.00**
- Spax, rear, standard height, pair GAC84031XPR . . **£160.00**
- Spax, rear, lowered height, pair GAC84041XPR . . **£160.00**



GAC8401XG

GAC8402XG

GAC8403XG

- Gaz, front, standard height, each GAC8401XG **£59.00**
- Gaz, front, lowered height, each GAC8402XG **£59.00**
- Gaz, rear, standard height, each GAC8403XG **£59.00**
- Gaz, rear, lowered height, each GAC8404XG **£59.00**



SPCK19



SPK80ECF



SUPERPRO POLYURETHANE KITS

Polyurethane is preferable to rubber as it gives improved location without having a detrimental effect on noise levels or a harsh ride. Added advantages are improved longevity and unlike rubber it is not affected by ultra violet light, water, salt, oil or petrol. The Superpro bushes come with a steel sleeve and grease where necessary.

Advice: For the best subframe location for your road car use Superpro bushes on the front subframe tower mounts with new standard mounts on the valance and toe board. Use Superpro poly. for all rear subframe mounts.

Car kits (1965-76)

- Complete car kit SPK80ECK . . . **£75.25**
(Inc: Front suspension, engine steady, rear subframe & steering column bushes).
- Complete front kit SPK80ECF . . . **£46.80**
(Inc: Front suspension & engine steady bushes).

SPK80LCK



Car kits (1976 on)

- Complete car kit SPK80LCK . . . **£110.24**
(Inc: Front suspension, engine steady, front subframe, rear subframe & steering column bushes).
- Complete front kit SPK80LCF . . . **£80.40**
(Inc: Front suspension, front subframe & engine steady bushes).
- Complete rear kit, including rear subframe bushes. SPK80LCR . . . **£30.20**

Suspension bushes

- Front lower arm bush kit, axle set 21A1882SPK . . **£19.90**
- Front tie bar bush kit, axle set 31G1155SPK . **£14.40**
- Front upper arm & rear radius arm grease seal, each. 115702SP **£2.26**

COIL OVER KITS

Developed between Spax and K.A.D. these coil over shock assemblies are simply the most versatile currently available for the Mini. Designed purely for road use they provide the ultimate in ride comfort and shock absorbance. The shock absorbers have fully adjustable gas cylinders with the added bonus of being able to adjust the responsiveness of the coil spring with the threaded collars.

Front and rear shocks are in the kit containing all new brackets and fittings to successfully mount the shocks. As can be expected from K.A.D. and Spax, full and precise fitting instructions are included within the kit.

- Standard height kit SPCK19 **£710.00**
- Lower height kit SPCK20 **£710.00**



GAC8494X

ROOF GUTTER MOULDING

These roof gutter moulding strips are an ideal way to smarten and finish off the roof of your mini. Available in either chrome or black, the roof gutter moulding is supplied in a single length and simply clips onto the metal gutter edge.

- Roof gutter moulding, chrome GAC8494X . . . £16.15
- Roof gutter moulding, black GAC8494XB . . £16.15

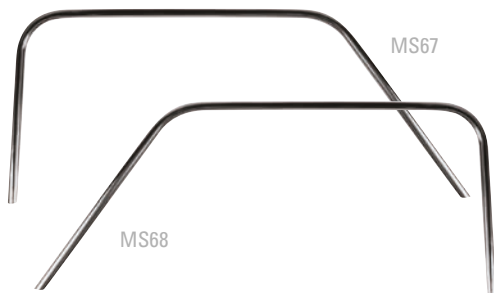
BODY SEAM MOULDINGS

These highly polished stainless steel seam mouldings will not only brighten up the exterior of your Mini but being stainless steel they are rust free and are also cheaper than the genuine original replacement items. Use BMP128MS stainless steel clips, to replace the standard painted items. Suitable for all cars from 1959 to current date.

- Front seam mouldings, pair . . . 8B12400 £26.40
- Rear seam mouldings, pair . . . 8B12401 £26.40
- Seam mouldings clip BMP128MS . . . £0.36



8B12401



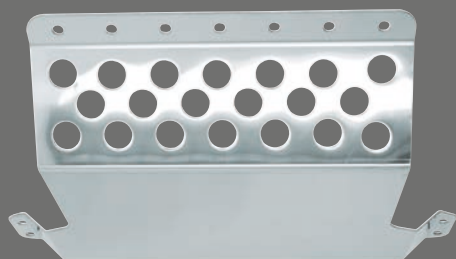
MS67

MS68

UPPER DOOR MOULDINGS

Another styling accessory for those craving the retro look, these stainless steel mouldings are based on those fitted to the MkI and MkII Mini Coopers. Now available for cars with wind-up windows (ie: 1969 to current). If you think there is never too much bright work, then these are for you.

- Top door trim, LH, MkIII MS67 £41.10
- Top door trim, RH, MkIII MS68 £41.10
- Top door mouldings clip 13H743 £1.36



SUMP GUARD

Protect the gearbox - one of the most important components on your Mini. Lowering the car and speed bumps are not a great combination and the gearbox casing is quite expensive to replace. A lightweight stainless steel sump guard is the perfect way to protect the gearbox.

- Stainless steel sump guard MT1207 £87.40



SMARTSCREEN WASH/WIPER SYSTEMS

These SmartScreen wiper kits allow intermittent wiper delay of between three and thirty seconds, programmed by using your existing wiper switch. SmartScreen wash/wiper kit allows you to have an automatic wiper system when using your electric screen-wash. All kits are easy to fit and come with full instructions.

SmartScreen wiper system

- Positive earth, (to 1969) GAC9222X . . . £31.20
- Negative earth, (pre 1969 converted) GAC9224X . . . £31.20
- Negative earth, (1969 on) GAC9221X . . . £31.20

SmartScreen wash/wiper systems

- Negative earth models, (1969 on) GAC9225X . . . £52.50



MS85H

HEATED WINDSCREENS

These high quality heated windscreens are the easy way to demist your windscreen - perfect for motorsport applications and those damp mornings.

“Demist your windscreen in around 20 seconds”

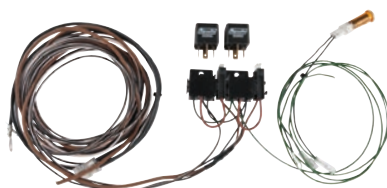
Manufactured to the latest British Standard these laminated windscreens feature a virtually invisible micro-wire element within the screen to effectively demist without impairing vision, it's the type of element used in many modern luxury cars. Installation is simple using standard rubbers and filler strip. We also offer wiring kits with relays to enable easy connection.



24A2236HM

Available in two styles; Monte Carlo, a reproduction of the original style as used in the Mini's rallying heyday. This screen uses a dual zone circuit and requires fitting kit GAC40251. Standard style screens do not have the thick horizontal bars and are available in a range of tint options as listed below, these screens use a single zone circuit and require kit GAC4025.

- Heated windscreen, green tint/green top tint . . MS85H £217.30
- Heated windscreen, green tint CZH4048H . . . £216.10
- Heated windscreen, clear 24A2236H . . . £197.40
- Heated windscreen, Monte Carlo style, clear . . 24A2236HM . . £275.10



GAC40251

Wiring kits

- Wiring kit, single zone GAC4025 £33.30
- Wiring kit, dual zone GAC40251 £50.30

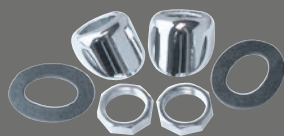


Kit inc:
WPA9021X, WPA9032S
WPA9028X, WPA9022X

COMPLETE WIPER, JET & BEZEL KIT

This kit contains a full set of windscreen wiper arms & blades, wiper bezels, chrome washer jets and screw fitting wiper hole bungs.

Complete wiper jet & bezel kit WPA9067X . . . £53.00



CHROME WIPER WHEELBOX BEZEL KIT

This is a very simple kit to fit but it goes a long way to improving the appearance of the front end, especially if you've just resprayed your Mini.

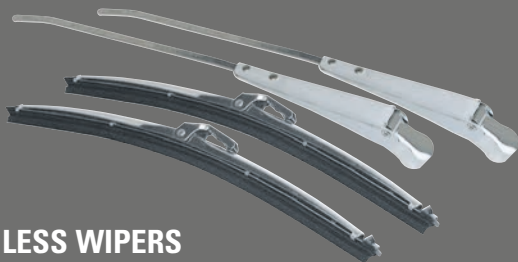
Chrome wiper wheelbox bezel kit WPA9028X . . . £9.40



WIPER HOLE PLUGS

Spruce up the scuttle panel with these stainless steel rubber backed plugs.

Wiper hole plugs, each WPA9032X . . . £6.00
Wiper hole plugs screw fitting, pair WPA9032S . . . £9.30



STAINLESS WIPERS

This kit is a direct replacement for the rather boring black wiper arms that are supplied on recent Minis. Available for either LHD or RHD cars.

Wiper arm kit, RHD WPA9022X . . . £25.00
Wiper arm kit, LHD WPA9023X . . . £25.00



CHROME WASHER JET KIT

The original washer jets are not all that helpful at cleaning the Mini's screen, so upgrading to twin nozzle chrome washer jets will improve things greatly.

Chrome washer jet kit WPA9021X . . . £9.76

BUMPER & OVERRIDER KIT

If you want to give your car the retro look, overrides and corner bars are a must. We supply 2 kits, a complete bumper and override kit and an override kit.



WPA9006X

GAC9400X

The complete kit contains: 2 bumper blades - pre drilled for corner bars, 4 overrides, 4 corner bars and all hardware giving the MkI look. The override kit contains: 4 overrides and hardware to give the MkII look. For cars made from 1980 on, rear fog lamps were fitted as standard so you'll need a relocation bracket, (RHD only).

Bumper & override kit, MkI WPA9006X . . .£325.42
Override kit, MkII WPA9005X . . .£86.40



WPA9005X

Override components are also available separately:

- Override chrome, RHF & LHR*, MkI 14A9923 . . . £21.40
- Override chrome, LHF & RHR*, MkI 14A9924 . . . £21.40
(*With holes for corner bars).
- Overrides stainless steel**, MkII 14A8738SS . . . £21.40
(**Without holes for corner bars).
- Corner bar, RHF 14A9877 . . . £15.70
- Corner bar, LHF 14A9878 . . . £15.70
- Corner bar, RHR 14A9919 . . . £16.30
- Corner bar, LHR 14A9920 . . . £16.30
- Override fitting bracket 14A7598 . . . £1.30
- Override fitting bolt SH605101 . . . £0.89
- Bumper to corner bar distance piece 14A9879 . . . £1.84
- Rear fog lamp relocation bracket, RHD GAC9400X . . . £33.60



GAC9212X

GAC9213X

SCREEN WASHER KITS

The electric washer kit converts your existing manual pump washer system. Both kits are supplied complete with fittings, pump and plastic washer bottle.

Screen washer conversion kit, manual GAC9212X . . . £60.35
Screen washer conversion kit, electric GAC9213X . . . £30.90



CHROME EXTERIOR HANDLES

Enhance the appearance of your Mini with chrome plated exterior handles. The sets comprise of two push button handles and a boot handle with matched keys and locks. Choose either a MkI or MkIII boot handle.

Chrome handle set with MkI boot handle CZH1784S . . . **£98.90**
 Chrome handle set with MkIII boot handle WPA9019X . . . **£144.00**

DOOR HANDLE ESCUTCHEONS

An ideal way to protect your paintwork and smarten the appearance of the Mini.

Plain door handle escutcheons, pair WPA9011X . . . **£7.70**

LOCK & BARREL SETS

Lock and barrel key sets to fit your MKI-II Mini.

Lock & barrel key set, 2 locks, doors LBS108 **£36.00**

Lock & barrel key set, 3 locks, door, ignition & boot. LBS103 **£42.00**

Lock & barrel key set, 4 locks, 2 doors, ignition & boot. LBS104 **£38.52**



BONNET STRAPS & PIN SET

Works style bonnet straps add a classic race & rally look to any classic car. Originally used by the factory BMC Special Tuning department to prevent unwanted opening of the bonnet these straps are perfect for those recreating that retro rally car look or just wanting peace of mind. Manufactured from high quality leather with stainless steel end plates. Available in tan or black either individually or in pairs. Or choose a set of stainless steel bonnet pins to give a modern competition look. Some bodywork modification is required to enable their use.

Bonnet strap black, single 222-601 **£20.00**

Bonnet strap set black, pair 222-602 **£38.10**

Bonnet strap tan, pair 222-729 **£20.00**

Bonnet strap set tan, pair 222-728 **£38.10**

Stainless steel pin set MRAC801S . . . **£18.00**



DOOR WIND DEFLECTOR

These wind deflectors fit neatly into the door window channel and allow you to drive with the window open slightly for extra ventilation without being buffeted.

Door wind deflector, pair MT9316 **£66.30**



QUICK RELEASE BONNET HINGES

Designed for the MkIII, the hinges enable you to easily remove the bonnet for engine work, while not increasing the risk of the bonnet going into orbit.

Quick release bonnet hinges, MkIII MSSK019 **£37.50**



CHROME HORN

Keeping the under bonnet area looking its best is always easier when you have a few chrome parts fitted. Direct replacement horn finished in luscious chrome.

Chrome classic horn, 105mm MT9143 **£18.55**



AIR HORN KIT

Let them know your coming.

Note: May not be legal for road use, please check local regulations.

Dual air horn kit GAC9978X . . . **£43.40**



MKI NUMBER PLATE KIT

Put one of these on your Mini and fool people into thinking that it's a MkI. Our hinged plate kit includes all fittings (except light unit). Choose from either a black or chrome finish lamp unit.

Number plate kit GAC8438X . . . **£30.70**

Number plate lamp unit, chrome 127916 **£26.40**

Number plate lamp unit, black 127916BLK . . . **£33.10**



NUMBER PLATE SURROUND

Manufactured from durable injection moulded ABS plastic, this chrome finish surround can be fitted in minutes to the front or rear of the vehicle.

Chrome number plate surround GAC0070 . . . **£12.90**



MKIII NUMBER PLATE LAMP HOUSING

Chrome metal number plate lamp housing, MkIII . GAC4614 . . . **£17.60**



BRITISH LEYLAND STYLE DOOR MIRRORS

Rectangular polished stainless steel door mirrors suitable for all Minis with a choice of either flat or convex glass. Supplied with angled base and fittings. Use adaptor plates to fit to doors with late type captive nuts.

- Door mirror, convex glass, RH, each GAM215A **£34.00**
- Door mirror, convex glass, LH, each GAM216A **£34.00**
- Door mirror, flat glass, RH, each GAM217X **£32.00**
- Door mirror, flat glass, LH, each GAM218X **£32.00**
- Adaptor plate kit, RH CZH1626 **£7.80**
- Adaptor plate kit, LH CZH1625 **£7.80**



ROVER STYLE DOOR MIRRORS

These late type plastic door mirrors are available in black plastic or primed. Later models have the plastic door mirror painted in either white or body colour. Pre-painted mirrors are no longer available. Primed mirrors should be purchased and painted to suit your car.

- Plastic door mirror, black, RH, each JPC9848 **£22.50**
- Plastic door mirror, black, LH, each JPC9849 **£22.50**
- Plastic door mirror, primed, RH, each CRB10184LML. **£67.80**
- Plastic door mirror, primed, LH, each CRB10185LML. **£68.70**



Chrome Cooper door mirrors

Replacement chrome door mirror that fit the original captive nut mountings on the car so no need to drill extra holes.

- Chrome Cooper door mirrors, pair MT9142 **£52.80**



ALUMINIUM RACING MIRRORS

These racing mirrors echo a bygone era of motorsport. Available in polished or satin finish with a black base, both feature a flat glass and single bolt fitting.

- Aluminium racing mirror, polished, each MT9314 **£27.60**
- Aluminium racing mirror, satin finish, each 222-355 **£27.60**

BULLET STYLE MIRRORS



Long base mirrors

These feature a 3.75" long base and are fixed with two screws from inside the door at 2" centres. Suitable for left or righthand mounting.

- Long base mirror, flat glass, chrome, each GAM105 **£16.40**
- Long base mirror, convex glass, chrome, each GAM105C **NCA**



Long base racing mirror

This mirror features a larger 4.25" lens with a 3" base. It is externally fitted to the mounting bracket. Suitable for left hand or right hand mounting.

- Long base racing mirror, flat glass, chrome, each. 222-390. **£36.60**



British Leyland style mirrors

These feature a 3.75" long base and are plinth mounted as per British Leyland style door mirror. They are interchangeable with British Leyland type door mirror. Use adaptor plates to fit to doors with late type captive nuts.

- BL style mirror, flat glass, chrome, RH, each GAM106 **£58.00**
- BL style mirror, flat glass, chrome, LH, each GAM107 **£58.00**
- Adaptor plate kit, RH CZH1626 **£7.80**
- Adaptor plate kit, LH CZH1625 **£7.80**



Dual base mirror

Dual base mirror is supplied with two bases; the short base is 2.25" long and the large is 4.5" long, the mirror can be fixed to the car using either base to cover previous mirror fixing holes. Suitable for left or righthand mounting.

- Dual base mirror, flat glass, chrome, each 222-372. **£42.10**



Bullet racing door mirrors

These great looking chrome bullet door mirrors are a must! They look great on the Mini and include adaptor plates to easily fit door skins with captive nuts.

- Bullet racing door mirror, RH, MkIII on, each GAM108 **£30.00**
- Bullet racing door mirror, LH, MkIII on, each GAM109 **£30.00**
- Bullet racing door mirror, pair, MkIII on, each GAM108/9 **£55.00**



GAC41271

FUEL CAPS

Aston locking fuel caps

These quality locking fuel caps are a direct replacement for the original cap. Most carburettor models will require a vented cap (green) whereas fuel injection models (SPI & MPI) require a non-vented cap (red).

Aston locking fuel cap, vented, 90mm GAC41271 . . . £38.50

Aston locking fuel cap, non vented, 90mm GAC41272 . . . £38.00



GSS154

WLD100310

Locking fuel caps

Use with our Aston fuel cap covers or on their own; most carburettors will require a vented cap whereas fuel injection models (SPI & MPI) will require a non-vented cap.

Locking fuel cap, standard, vented, green GSS154 £18.00

Locking fuel cap, standard, non-vented, red WLD100310 . . £18.00



ALUMINIUM BODY PANELS

If you have to change your door skin's or the boot lid skin because they are corroded, why not to replace them with the aluminium version. You will never have to replace them again, and as it's aluminium, it's lighter than the original steel panel.

Boot lid, skin, aluminium HMP441051 . £132.30

Door skin, aluminium, RH, MKI-II HMP441052 . £137.80

Door skin, aluminium, LH, MKI-II HMP441053 . £137.80

Door skin, aluminium, RH, (1970 on) CZH3300AL . £58.60

Door skin, aluminium, LH, (1970 on) CZH3301AL . £58.60



MCC299



GAC4127X

Aston fuel cap covers

These fuel cap covers are designed to fit to our filler cap GSS154 for vented or WLD100310 for non-vented, and fixed by grub screws to the cap. The flap is lifted to reveal the lock and the cap & cover are removed together. The covers and caps are sold separately.

Aston cap cover only, large, chrome, 90mm GAC4127X . . . £30.25

Aston cap cover only, small, alloy, 75mm MCC299 £46.60



DUMMY FILLER NECK

Can't quite stretch to the price of the right hand petrol tank but would like people to think you can? Then we have just the thing for you. A filler neck which just screws onto the panel. The kit includes a template for correct positioning on the bodywork.

Dummy filler neck. GAC8436X . . . £18.50



DYNOLITE OILS

Dynolite offers a premium quality range of lubricants and consumables developed for Veteran, Vintage & Classic cars and motorcycles.

Dynolite lubricants are formulated to exceed the original vehicle manufacturer's specifications and are blended using high quality base oils combined with additive formulations that are suitable for use in these historic vehicles.

For example, Dynolite Pre-War and Dynolite Classic engine oils include optimal levels of ZDDP to reduce wear, which is often found at reduced levels in modern engine oils.



Visit moss-europe.co.uk for more information



WPA9038X

500929ALLOY

HEADLAMP RIMS

As fitted to the original Radford de Ville and other luxury Minis of the 1960's, these high quality chrome headlamp rims have a different profile to standard giving the impression of being wider.

For Mini owners who think their car is getting a little bit overweight, aluminium headlamp rims are available with an anodised finish, to replace the standard steel on brass rim, not suitable for Clubman models.

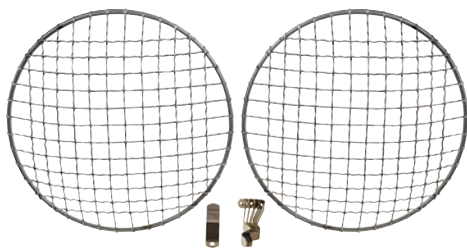
- Chrome headlamp rim, pair WPA9038X . . . £60.00
- Alloy headlamp rims, each 500929ALLOY. £27.40



HEADLAMP PEAKS

As fitted to the original Radford de Ville and other luxury Minis of the 1960's, these high quality peaks change the profile of your Mini headlamps.

- Headlamp peaks, pair GAC7999X . . . £15.60



CHROME HEADLAMP STONE GUARDS

Add some protection to your headlamps with these period styled chrome headlamp guards. A good excuse to fit more chrome.

- Chrome headlamp stone guards, pair. GAC8000X . . . £13.10



RTC430A

GAE132G

3H3058

GWW102X

GENERAL SWITCHES

A range of period looking switches for general purpose use. Use a momentary switch for starters, horns, washers, and the 1 position for auxiliary lamps.

- Push button switch, momentary 3H3058 £14.10
- Toggle switch, momentary. GWW102X . . . £17.70
- Toggle switch, on/off. RTC430A £4.30
- Pull switch, on/off, white illumination GAE132 £20.00
- Pull switch, on/off, green illumination GAE132G . . . £19.50
- Pull switch, on/off, red illumination GAE132R . . . £19.50
- Pull switch, on/off, yellow illumination. GAE132Y . . . £20.00
- Fuse holder, inline UKC4446 £2.05



WPA9026X

INDICATOR CLEAR LENS KITS

Early style lens kits

This early style clear lens kit is available with either beehive or flat glass lenses which are held in by a chrome rim, perfect for the retro look. Each kit contains two glass lenses, two retainer rims and two orange bulbs.

- Indicator clear lens kit, early beehive WPA9026X . . . £18.00
- Indicator clear lens kit, early flat WPA9030X . . . £40.00
- Replacement bulb GLB343. £2.05



CDU3374CR

WPA9027X

Later style lens kit

For 1984 on models, this kit contains 2 clear lenses, amber bulbs and screws.

- Indicator lens kit, screw ret., clear, (1984 on) . . . WPA9027X . . . £10.00
- Replacement filament bulb, single, amber GLB343. £2.05
- Lens finisher bezel, chrome, each CDU3374CR . . . £9.60



AHU2592CR

WPA9043X

CLEAR WING REPEATER KIT

Also available is a clear wing repeater kit for later cars (1984 on) including a pair of lenses and amber bulbs.



MT3703

- Clear wing repeater kit, (1986 on) WPA9043X . . . £10.00
- Wing repeater replacement bulb, amber GLB501X £1.43
- Wing repeater wiring. MT3703 £21.30
- Side repeater bezel, chrome, each. AHU2592CR . . £10.00



GAC4616



BCA4294

RTC430A

GAC4612

GAC9400X

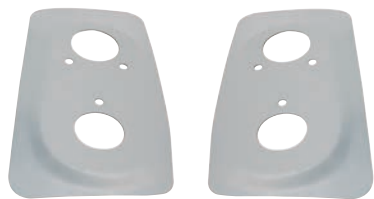
LAMP BRACKETS & SWITCH

The right parts to fit your lovely new spot and fog lamps with.

- Spot lamp bracket, OE, Rover type XBU10044 . . . £16.60
- Stainless steel spot lamp bracket, pair GAC4612 . . . £15.00
- Stainless steel original works style lamp bar kit . . GAC4616 . . . £75.00
- Fog lamp relocation bracket, fitting override kit. GAC9400X . . . £33.60

A period style toggle switch for your lovely new lamps. It can also be used for other electrical accessories.

- Toggle switch, off/on. RTC430A £4.30
- Toggle switch, off/on/on BCA4294 . . . £11.70



MKI REAR LAMP CONVERSION

The MkI rear lamp is probably the largest part of a true retro look. The conversion has been made easier with the arrival of the adaptor plates that can be welded into the original MkII or MkIII light unit apertures.

Adaptor plates, pair GAC8452X . . . £26.40



Lamp unit, RH, MkI BHA4228 . . . £55.00
 Lamp unit, LH, MkI BHA4229 . . . £55.00



CLEAR REAR LENS CONVERSION

This very popular conversion can be combined with our other clear lens kits (clear front indicators and side repeaters) completing the total clear lens look, or fitted on its own, giving the Mini a contemporary appearance. Lenses are sold as a pair of stop/tail & indicator lenses without bulbs. Suitable for all Minis from 1976-99 with 2 piece lenses on Lucas type bases. Reverse lamp lenses are also available separately.

Rear lens set, clear, pair GAC4617 . . . £16.80
 Twin filament bulb, red stop/tail, 2 required. . . GLB380R . . . £2.50
 Single filament bulb, amber indicator, 2 required. GLB343. £2.05



Lens, reverse lamp, RH XFJ10028 . . . £19.90
 Lens, reverse lamp, LH XFJ10029 . . . £19.90



Standard pattern spot lamps, 5.5", chrome, pair . GAC4610 . . . £46.70
 Standard pattern fog lamps, 5.5", chrome, pair . . GAC4611 . . . £54.40
 Replacement bulb, H3. GLB453. £4.20
 Wiring fitting kit, universal GAC4027 . . . £12.30

Wipac 5.5" chrome plated driving & fog lamps, with tough plastic lens covers.

Wipac driving lamps, pair WPS6007 . . . £31.30
 Wipac fog lamps, pair WPS6078 . . . £31.30



AUXILIARY REVERSE & FOG LAMPS

Many classics were not originally fitted with reverse or rear fog lamps. These universal polished stainless steel lamps measure 55mm x 110mm (2" x 4.5" approx.) and can be easily fitted, ideal for mounting under bumpers etc... Fog lamps require an illuminated switch mounted visibly on the dashboard.

Auxiliary fog lamp GAC4608 . . . £19.50
 Auxiliary reverse lamp GAC4609 . . . £20.60
 Replacement bulb, 12V 20W. GAC4608B . . . £3.50



HEADLAMP PROTECTORS

A thin, invisible layer of Lamin-X protects headlamps from stone chips and scratches, and keeps your lights looking new for years to come. Fits all 7" round headlamps. Sold as a pair. Lamp unit not included.

Headlamp protectors, pair 162-695 £18.70





LED HEADLAMP CONVERSION

Producing light levels of 3000 lumens per bulb, this LED conversion kit is 3 times brighter than a standard Halogen H4 bulb, meaning vastly improved visibility and safety when driving your classic car at night. Emitting a bright white 6000K colour and a 10,000+ hour lifespan, you'll never worry about visibility in low light conditions again. Features; A pair of premium quality 25W LUMILED LUXEON Z ES LED H4 light units and low load plug and play dual polarity drivers. Note: Suitable for H4 light units only and not suitable for sealed beam lamps.

LED headlamp conversion, H4 171-250 **£89.95**



HALOGEN HEADLAMP REPLACEMENT BULBS

- Standard halogen, H4 60/55 watts, each GLB472 **£5.40**
- Halogen, H4 100/90 watts, each, check regs. GLB484 **£6.40**
- Xenon, H4 60/55 watts, pair GLB472X **£10.80**
- Xenon, H4 60/55 watts, blue tint, pair GLB472BLU **£10.80**
(Xenon bulbs are up to 30% brighter than the standard halogen bulb).



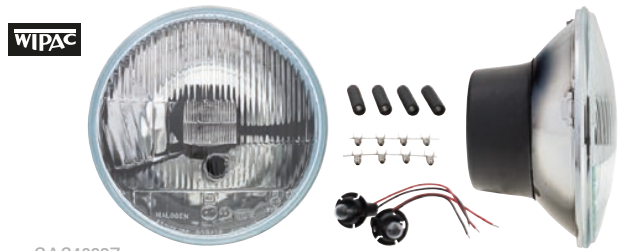
PERIOD STYLE LAMPS

These outstanding reproductions of the original Lucas L576 units are available as either a driving lamp with a clear lens or a fog lamp with a fluted lens in either a base or back mounting. Use a back mounted fluted lamp as a works style reverse lamp.

- Driving lamp with clear lens, 5.5", each MM162-700 **£85.00**
- Fog lamp with fluted lens, front 5.5", each MM162-800 **£85.00**
- Back mounted lamp with fluted lens 5.5", each BHA4399 **£85.00**
- Back mounted lamp with clear lens 5.5", each 57H5322 **£85.00**

We stock replacement units, so you don't have to buy the whole lamp again.

- Replacement lamp unit with fluted lens, each ACG5179 **£39.40**
- Replacement lamp unit with clear lens, each 57H5015 **£41.10**
- Replacement bulb, driving lamp, each GLB185 **£8.30**
- Replacement bulb, fog lamp, each GLB323 **£4.50**



GAC4023Z

H4 HALOGEN HEADLAMP CONVERSIONS

Fitting a halogen headlamp conversion is one of the easiest and most worthwhile improvements you can make to your Mini. Powerful halogen bulbs with an improved lens design result in a superior light beam without blinding oncoming traffic. No matter how fast your car is you can only travel as quickly as your vision allows. For the ultimate night vision use one of these H4 conversion kits with our HID conversion kit (GAC4022H).

- Wipac headlamp conversion kit, H4, RHD, pair. GAC4023 . . . **£110.00**
- Wipac headlamp conversion kit, H4, RHD, pair. GAC4023Z . . . **£54.60**
- Wipac headlamp conversion kit, H4 LHD, pair WPS4699 **£63.00**



GAC4600

GAC4022X

CRYSTAL HALOGEN HEADLAMP KITS

These crystal lamps give your car a modern look with the beam pattern moulded into the reflector rather than the lens. Manufactured with a tough polycarbonate clear lens they are available with or without pilot lamp, and are a direct replacement for original 7" sealed beam or H4 conversion lamp units. Headlamp bulbs are supplied separately.

- Crystal halogen without side light kit**, pair. GAC4022X . . . **£62.00**
- Crystal halogen with side light kit**, pair GAC4023X . . . **£50.00**
(**'E' marked for legal road use, use dipping H4 bulbs. RHD only).
- Crystal halogen with angel eye kit*, pair GAC4600 . . . **£59.60**
- Crystal halogen kit*, pair. GAC4615 **£40.70**
(*NOT 'E' marked for legal road use, no dip pattern).



117-515

HEADLAMP RELAY KITS

Fitting halogen headlamps puts high loads on electrical components. These kits allow easy installation of relays into the headlamp circuit allowing for the high current circuit to be run through the relay. Fitting relays in headlamp circuits protects your wiring and reduces the resistance in the circuit allowing full power to the lamps. Kits include relays and fittings. The single relay kit can also be used for wiring spotlamps, horns and other electrical accessories.

- Headlamp relay kit, 2 relay 117-515 **£37.90**
(Inc: 2 relays, pre-wired relay holders, fitted terminals, fittings & instructions).
- Relay kit, 1 relay GAC4027 **£12.30**
(Inc: 1 relay, non-assembled wiring, terminals & fittings).
- PVC tubing, pre cut metre, black 504806 **£2.20**



MRAC402

WORKS STYLE WHEEL ARCH SETS

These 'Works' style wheel arches are replicas of the works style of arch fitted to race and rally Minis in the sixties and give your car that great retro look. Group 2 arches are also available for 6" wheels with an extra lip on the outer edge of these arches means a chrome finisher can be fitted GZF105 for deluxe or GZF107 for flat. Group 5 arches are suitable for cars with up to 7" wheels. Made from fibreglass with a black gel coat finish and require drilling to fit.

- Group 2 arch set no lip, 1.75" wide / 5" wheel . . MRAC401 . . . £61.30
- Group 2 arch set with lip, 3.5" wide / 6" wheel . MRAC402 . . . £67.80
- Group 5 arch set no lip, 3.5" wide / 7" wheel . . MRAC405 . . . £80.56
- Chrome finisher, deluxe GZF105 £9.90
- Chrome finisher, flat GZF107 £6.30



GAC8449X

STAINLESS STEEL WHEEL ARCH COVER KIT

To brighten up the exterior of the Mini why not add these quality stainless steel arch extension covers which screw onto the standard arch extensions.

- Stainless steel wheel arch cover kit GAC8449X . . £105.00
- Stainless steel moulding, pair GAC84491X . . £93.00



CAT10044

AJM164

REAR MUD FLAPS

These are genuine Rover mud flaps as fitted to later Minis.

- Rear mud flap set, genuine Rover, 'Mini' AJM164 £50.40
- Rear mud flap set, genuine Rover, 'Mini Cooper' . CAT10044 . . . £45.00



WPA9101

SPORTS PACK WHEEL ARCH KIT

As fitted to Rover sports pack Minis, this very popular wheel arch kit is made from fibreglass and includes fixing studs & rubber edge trim. Sill trim not included. These arches protrude 3.5in. Some modification to the front metal arches may be necessary if fitting 13in wheels to non sports pack Minis.

- Sports pack wheel arch kit, fibreglass WPA9101 . . . £175.00
 - Sill finisher DDJ10002 . . . £25.50
- (Rubber strip fitting along sill between front and rear arch extensions).



AJM117Z

PLASTIC WHEEL ARCH KITS

These plastic wheel arch extension kits were standard on many Minis, however if they are too subtle for you, we also stock various wider options.

- Wheel arch kit - black AJM117Z . . . £32.00

Kit AJM117Z includes (also available separately)

- Wheel arch extension, front, RH, black CZH4312Z . . . £7.60
- Wheel arch extension, front, LH, black CZH4313Z . . . £7.60
- Wheel arch extension, rear, RH, black CZH4314Z . . . £8.50
- Wheel arch extension, rear, LH, black CZH4315Z . . . £8.50
- Sill finisher CZH4316Z . . . £5.60
- Rivet for wheel arch, quantity as required DYQ100140 . . . £1.75



TT6902

WHEEL SPACERS

These spacers will allow small adjustments to be made to the offset (to ensure wheel and tyre clearance) when fitting alloy wheels. Can also be used to space your wheels out to fill the wheel arches. When choosing the width of the spacer ensure that it will leave adequate thread length for secure wheel fitment.

- Wheel spacer, 3mm, pair TT6901 £18.50
- Wheel spacer, 6mm, pair TT6902 £20.10



MT7122

- Wheel spacer with stud kit, solid, 3/8" (9mm) . . MT7120 £31.30
- Wheel spacer with stud kit, solid, 3/4" (19mm) . MT7121 £32.50
- Wheel spacer with stud kit, solid, 1" (25mm) . . . MT7122 £36.50



10" COOPER STYLE ALLOY WHEEL

These great looking 4.5J wheels recreate the classic look of the early Cooper steel rims, they look smart on any Mini going for the classic look. Our chrome hub caps are the perfect complement to these wheels.

- Cooper style alloy wheel 10", eachGAC8215X.**£80.60**
- Wheel nut, 10" Cooper style wheel, chrome, each .GAC8210XNT. . . **£1.50**
(Chrome plated nut. Use without hub cap).
- Chrome hub cap, each88G337Z**£36.00**
- Wheel nut, 10" Cooper style wheel, plain, each .88G322 **£0.90**
(Plain steel nut. Use with hub cap).



8 SPOKE ALLOY WHEELS

A carefully selected set of alloy wheels will not only enhance the appearance of your Mini, but could also help improve the handling by allowing the fitment of wider section tyres. Wheels are supplied without wheel nuts.

- 8 spoke alloy wheel, 10" x 5", silver, each GAC8210X. . . **£74.70**
- 8 spoke alloy wheel, 10" x 6", silver, each GAC8208X. . . **£73.20**
- 8 spoke alloy wheel, 13" x 6", silver, each GAC8313X. . . **£105.60**
- Wheel nut, 10", 8 spoke wheel, each GAC8210XNT . **£1.50**
- Wheel nut, 12" & 13", 8 spoke wheel, each AHA8785 **£1.70**



ULTRALITE CLASSIC WHEELS

With a timeless style and perfect fitment these Ultralite Classic wheels will be the perfect finishing touch to your Classic Mini. Available in a variety of sizes. All wheels are supplied individually and without wheel nuts, unless otherwise stated.

Ultralite classic 10" wheels

- Gunmetal/polished rim, 10" x 6", eachMT4102.**£58.20**
- Black/polished rim, 10" x 6", eachMT4103.**£58.20**
- Gold/polished rim, 10" x 6", eachMT4104.**£58.20**
- Silver/polished rim, 10" x 6", eachMT4105.**£58.20**
- Wheel nut, each.TT6320 **£3.70**



Ultralite classic 13" wheels

- Silver/polished rim, 13" x 6", eachMT4405.**£73.50**
- Gunmetal/polished rim, 13" x 6", eachMT4402.**£73.50**
- Black/polished rim, 13" x 6", eachMT4403.**£73.50**
- Silver/polished rim, 13" x 7", eachMT4505.**£78.80**
- Black/polished rim, 13" x 7", eachMT4503.**£80.60**
- Gunmetal/polished rim, 13" x 7", eachMT4502.**£80.50**
- Wheel nut, each.TT6320 **£3.70**

Ultralite F1 13" wheels

- Silver/polished rim, 13" x 7"MT4605.**£79.20**
- Gunmetal/polished rim, 13" x 7"MT4602.**£91.00**
- Gold/polished rim, 13" x 7"MT4604.NCA
- Wheel nutTT6320 **£3.70**



Ultralite classic 12" wheels

- Silver, 12" x 5", eachMT4201.**£63.00**
- Black/polished rim, 12" x 5", eachMT4203.**£65.10**
- Silver/polished rim, 12" x 5", eachMT4205.**£63.80**
- Gunmetal/polished rim, 12" x 5", eachMT4202.**£63.00**
- Silver/polished rim, 12" x 5.5", eachMT4305.**£68.30**
- Gunmetal/polished rim, 12" x 5.5", eachMT4302.**£68.30**
- Black/polished rim, 12" x 5.5", eachMT4303.**£68.30**
- Wheel nut, each.TT6320 **£3.70**

For the Classic Mini owner wanting something a little different, our Ultralite Rally style wheel may be just what you're looking for. Perfect for completing the classic look and making your Classic Mini stand out from the crowd. Supplied with wheel nuts.



Ultralite rally style wheel

- Silver, 10" x 4.5", eachMT4101.**£54.60**



162-705



162-706

SPOT/FOG LAMP COVER WITH LUCAS LOGO

This authentic period style, vinyl spot/fog lamp cover features the Lucas lion logo. Suitable for 6" and 7" diameter lamps with a small clear window to see if the lamps are on or off.

Lucas spot/fog lamp cover, 6", black, each. 162-705. £46.50
 Lucas spot/fog lamp cover, 7", black, each. 162-706. £46.50



CLASSIC DECALS

A small selection from our range of decals available for your car, please refer to the Restoration section for a listing of the exact requirements for your model.

- 1 BMC rosette, external CRTR208 £5.50
 BMC rosette, internal CRTR204 £5.50
- 2 BMC Special Tuning rosette, external CRTR207 £5.50
 BMC Special Tuning rosette, internal. CRTR207A £5.50
- 3 Leyland Special Tuning Abingdon, green CRST153 £2.10
 Negative earth sticker CRST113 £1.43
 Unipart filter sticker CRST119 £1.60
 Tudor water bottle sticker. CRST124 £1.90
 Triplex screen sticker. CRST125 £1.80
- 4 British Leyland house sticker. CRST126 £1.31
 Lucas coil sticker CRST156 £1.70
- 5 Leyland Special Tuning sticker CRST110 £1.52



CHASSIS PLATES

- Austin Morris group chassis plate* CRCP339 £5.20
 - 1 Commission plate* CRCP301 £5.20
 - 2 Engine number plate, blank*. CRCP343 £1.90
- *(It is up to the purchaser to stamp the correct numbers onto the plates).



REPLICA BROADSPEED NAME PLATE

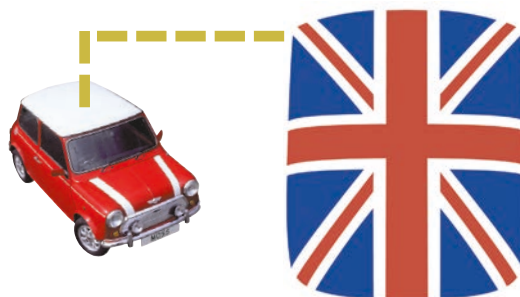
Broadspeed name plate CRCP384 £8.26



CLASSIC BADGES

A range of quality badges suitable for both grille and badge bar mounting.

- 1 BMC Drivers Club. GAC9967X £98.90
- 2 British Motor Racing Marshals Club GAC9987X £87.70
- 3 British Racing and Sports Car Club. GAC9969X £28.60
- 4 BARC Brooklands GAC9966X £28.60
- 5 England Union flag toothed. GAC8043X £36.20
- 6 St. Christopher. GAC9970X £74.10
- 7 RAC diamond GAC9971X £40.20
- 8 RAC round laurel. GAC1028X £66.00
- 9 RAC toothed GAC8045X £36.40
- 10 UK mainland 105-432 £8.20
- 11 Union chequered flag, 42 x 24mm DAG000070MMM. £9.30
- 12 Union flag, screw fit, 30 x 50mm. GAC4100. £8.10
- 13 Union flag, screw fit, 35 x 57mm, chrome. GAC4101. £13.80
- 14 Union flag, stick on, pair CRST186. £5.20
- 15 Union flag, magnetic MM215-330 £11.80
- 16 Union flag, 'flying'. DAG000080MMM. £22.30
- 17 Union flag, stick on, chrome GAC4100CR. £13.70
- 18 GB letters, stick on, chrome. MRD1034SA. £13.90
- 19 GB letters set, 3 piece, chrome. MRD1034A. £11.80



UNION FLAG ROOF DECAL

Create an unmissable patriotic statement with this high quality Union flag roof decal. Essential for those continental jaunts. For white roof cars only.

Union flag roof decal DAF105120. £79.20



BADGES (MKI & MKII)

An important feature for any retro conversion, these badges are just a few of the most popular of the total fitted to the Mini during its long history. An array of different badges were fitted to both Morris and Austin Minis during their production.

- 1 Austin Cooper and S bonnet badge, MkI 24A71 £11.40
- 2 Morris Cooper and S bonnet badge, MkI 24A72 £28.50
- 3 Morris Mini bonnet badge, MkI ADA3580 £40.00
- 4 Austin bonnet badge insert, MkI 24G1201 £18.00
- 5 Austin bonnet badge insert surround, MkI 14A6837 £23.50
- 6 Austin Cooper S bonnet badge insert, MkII ALA6514 £12.90
- 7 Morris Cooper S bonnet badge insert, MkII ALA6515 £13.20
- 8 Austin/Morris Cooper S bonnet badge surround, MkII ALA6519 £11.40
- 9 Austin script boot badge, MkI 14A6802 £12.30
- 10 Cooper script boot badge, MkI 24A23 £8.80
- 11 Mini script boot badge, MkI 24A997 £9.50
- Seven script boot badge 14A6853 £6.70



BADGES (MKIII ON)

- 1 Bonnet badge, silver/blue CZH1305 £22.00
- 2 Bonnet badge, silver/black, (to VIN 349159) CZH4378 £39.16
- 3 Mini word bonnet badge, (VIN 463577 to 493180) DAB10076 £34.80
- 4 Cooper bonnet badge DAH10036 £14.40
- 5 Cooper S boot badge, MkIII CZH1381 £16.36
- 6 Winged Mini boot badge, (1997 on) DAH100590MMM £15.30



- 10 Cooper 1275 Mk II script boot badge 15 £9.20
- 11 'II' script boot badge, MkII AVB192 £4.50
- 12 S script boot badge, large 24A1402 £9.20
- 13 S script boot badge, small 24A1401 £9.20
- 14 Morris Cooper script boot badge 24A24 £37.20
- 1000 script boot badge ALA6695 £15.30
- 15 1275 script boot badge ALA6696 £17.10
- 16 Cooper S boot badge insert, MkII ALA6536 £13.20
- 17 Austin Cooper boot badge insert, MkII ALA6538 £12.10
- 18 Morris Cooper boot badge insert, MkII ALA6537 £20.70
- 19 Cooper S boot badge surround, MkII ALA6542 £16.30



DECALS FOR INJECTION MINIS

- Mini Cooper, rear panel, laurel, black DAF10380PMA £6.00
- Mini Cooper, rear panel, laurel, white DAF10380NMN £6.60
- Side tape, white DAE10119NMN £55.30



COOPER BONNET STRIPES

- No Mini Cooper should be without them, they instantly create that famous Cooper look. These high quality bonnet stripes are available in white.
- Bonnet stripe, RH, white, each DAF10402NMN £22.00
 - Bonnet stripe, LH, white, each DAF10403NMN £22.00



CARPET & CARPET SETS

We have a range of quality carpet sets in a variety of colours that are manufactured to high standards ensuring an excellent fit. Often using materials superior to those used for the original carpets. Where required, some of our carpet sets are moulded to follow the contours of the floor pan as per the originals.

We also offer underfelt kits, competitively priced budget carpet sets for some models and replacement carpet sections, footwell mats, and fittings. Check your model for full details.

See page A52 for more information



HIGH CAPACITY FUEL PUMPS

Facet pumps ensure constant fuel flow and pressure even at high temperatures eliminating the problems associated with vapour lock.

The standard fuel pump may not be able to maintain adequate fuel flow and pressure at higher speeds, particularly with a tuned engine.

Facet fuel pumps are suited to all standard and modified engines fitted with carburettors. Available in a variety of specifications to suit

the engine's fuel pressure and flow needs.

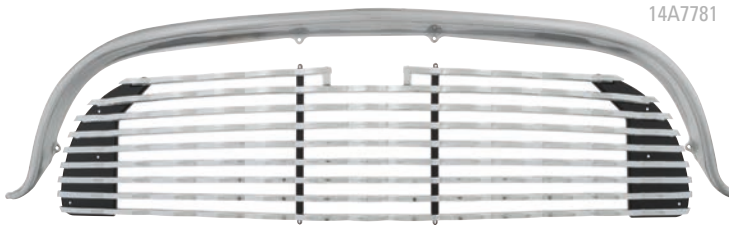
With safety in mind we recommend fitting a fuel pump inertia switch kit, so that in the event of an accident fuel delivery is automatically cut off.



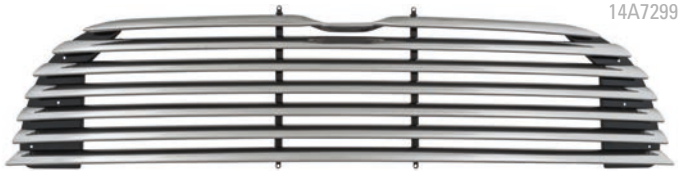
See page A25 for more information

GRILLES & FITTINGS

The MkI grille is one of the Mini's most striking features. The style of the slats with the moustache surround really shows off the shape of the front end. It was designed to flatter the front and that style was lost with the introduction of the MkII grille assembly. Now you can recreate that look with great ease.



14A7781



14A7299

GRILLES (MKI)

24A2158

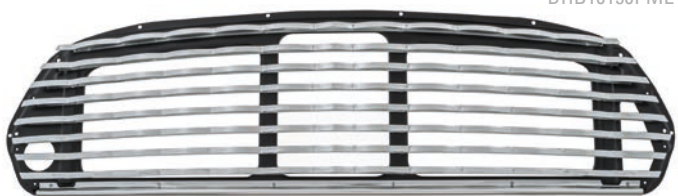
- Austin grille, MkI 14A7299 **£90.90**
- Austin Cooper grille, MkI 24A198 **£89.00**
- Morris Cooper grille, MkI 24A2158 **£89.20**
- Morris Cooper full slat grille, internal release, MkI. 24A2159 **£81.60**
- Moustache grille surround 14A7781 **£99.60**
- Moustache grille fitting kit, excludes end pieces . 14A7781FK **£6.00**
- Moustache end piece, RH 14A7782 **£10.50**
- Moustache end piece, LH 14A7783 **£10.50**
- Left and right end mouldings clip ADA3583 **£0.64**



ALA6654Z



DHB10150PME



8B12508

GRILLES (MKII ON)

- Chrome grille, aftermarket, (to 1977 and Mini 30). ALA6654Z . . . **£70.00**
- Black grille, (1976-82) DHB10150PME. **£63.30**
- Cooper grille, Cooper 1300 + SE. ALA6668 **£70.30**
- Cooper grille, internal release, Cooper MkII . . . ALA6669 **£69.00**
- Cooper s/s grille, external release, Cooper MkII . 8B12504 **£85.00**
- Cooper s/s grille, internal release, Cooper MkII . 8B12505 **£83.30**
- Austin wavy s/s grille, external release, MkII . . . 8B12507 **£90.00**
- Austin wavy s/s grille, internal release, MkII . . . 8B12508 **£90.00**



GAC8420X

GRILLES WITH INTEGRATED LAMP KIT (MKII ON)

As an alternative to spot lamps bolted in front of the grille, we offer this Cooper MkII style of grille with the spot lamps recessed into the grille itself. Available in a complete kit or separately with internal and external bonnet release. The spot lamps are also available separately just in case you need to replace one.

“The grille is one of the Mini's most striking features”

- Grille with spot lamp kit inc. 8B12502, (to 1992). GAC8434X . . . **£129.00**
- Grille with spot lamp kit inc. 8B12503, (1992 on) GAC8420X . . . **£130.00**

Cooper stainless steel grille, Cooper, MkII 8B12502 **£102.00**
(With 6" holes for spot lamp fitment, external bonnet release access).

Cooper stainless steel grille, Cooper, MkII 8B12503 **£105.00**
(With 6" holes for spot lamp fitment, internal bonnet release access).

Spot lamp for grille 8B12502 and 8B12503, each. RL020 **£32.40**



HMP841003

GRILLE KIT (MKIII-IV)

This kit is based on the MkIII and MkIV grille (ALA6654Z) it also contains the grille finisher set (HMP841009).

Grille kit, MkIII-IV HMP841003 . **£109.20**

COOPER GRILLE KIT

This kit comprises of a Cooper grille (ALA6669) and the grille finisher set (HMP841009).

Cooper grille kit HMP841002 . **£110.40**



GRILLE FINISHER KIT

Supplied as a set of 3 mouldings, 1 bonnet and 2 side finishers.

Grille finisher kit HMP841009 . . **£46.75**



GRILLE BUTTONS

Grille buttons allow easy access to the engine by replacing the dozen or so self tapping screws which are used to hold the grille in place.

Grille buttons, pair GAC8421X . . . **£10.40**



WPA9036X



WPA9012XB



WPA9015X



WPA9056X

BURR WALNUT DASH FASCIAS

In 1989 the Smith gauge binnacle was replaced by units manufactured by Nippon Sieki. We can offer fascias for both types of gauge binnacle. Listed below are a range of dashboard assemblies for Nippon Sieki gauges, on which we can also offer an option of chrome rings around the gauge aperture for the 3 gauge binnacle assembly. For pre 1989 models, at present we can only offer the centre binnacle 3 gauge dashboard.

Centre binnacle

- Dash fascia 3 gauge centre binnacle WPA9012X. .£183.60
- Dash fascia 3 gauge centre binnacle, 1 piece . . . WPA9012XB £183.60

Offset binnacle with chrome rings

- Dash fascia 2 gauge binnacle RHD WPA9056X. .£183.60
- Dash fascia 2 gauge binnacle LHD WPA9057X. .£183.60
- Dash fascia 3 gauge binnacle RHD WPA9036X. .£183.60
- Dash fascia 3 gauge binnacle LHD WPA9037X. .£183.60

Offset binnacle without chrome rings

- Dash fascia 3 gauge binnacle RHD WPA9015X. .£183.60
- Dash fascia 3 gauge binnacle LHD WPA9016X. .£183.60

WPA9040X



WPA9047X

BURR WALNUT HANDLES

You have the burr walnut dashboard, so why not complete the luxury look with one or all of the following window winder and door opening handles, suitable for cars from 1969 on, and for 1983 on cars, interior door pulls. Finish the interior off with a matching gear knob.

- Window regulator handles, (1969 on) WPA9042X. .£62.15
- Door release handles, (1969 on) WPA9040X. .£60.00
- Door pulls, (1983 on) WPA9041X. .£62.15
- Gear knob, plain WPA9047X. .£27.95



BURR WALNUT CAPPINGS

Many classic coach built Minis were particularly well loved for their opulent interiors. Although we are not able to offer such interior conversions, we can offer a range of high quality Walnut accessories to enhance the interior of your pride and joy. The door capping set contains 4 carefully matched pieces of wood. Suitable for all models.

- Door capping set WPA9017X. .£186.40
- Screw door capping set, 10 required 517710 £0.36



MT9520



MT9531



MT9536

CENTRE CONSOLES

These centre consoles tidy up your interior and also hide the heater motor. See our website for more details.

- Burr walnut with vents & radio, RHD, (to 1994) . MT9520NCA
- Burr walnut with vents & radio, LHD, (to 1994) . MT9520LNCA
- Burr walnut with vents & radio, RHD, (1994 on) . MT9521£226.50
- Burr walnut with vents & radio, LHD, (1994 on) .MT9521LNCA
- Black vinyl with vents & radio, RHD, (to 1994) . MT9524NCA
- Black vinyl with vents & radio, LHD, (to 1994) . MT9524LNCA
- Black vinyl with vents & radio, RHD, (1994 on) . MT9525NCA
- Black vinyl with vents & radio, LHD, (1994 on) . MT9525LNCA

ARMREST

No fixing required, this armrest slots between the front seats and includes a storage area over the handbrake, making longer journeys more comfortable.

- Vinyl armrest, black. MT9536NCA

SPEAKER PODS

- Front footwell speaker pods, 5.25", holes, black, pair . MT9531NCA
- Front footwell speaker pods, 6.5", holes, black, pair. MT9532£52.30
- Under rear seat speaker board, 6.5", black, pair. . MT9534NCA

Note: Burr walnut is quite dark, being sourced from a naturally growing product, colours can vary. They are carefully matched, but colour variance is possible.



KEYLESS ENTRY KIT

Our keyless entry kit connects to our central door locking system to facilitate remote locking and unlocking of the doors. A useful security feature is that the unit locks the doors when the ignition is switched on, thereby preventing undesirables getting in. Will only fit Minis from 1976 on and cannot be activated remotely by standard Rover alarm systems.

Keyless entry kit WPA9224X£102.90



CENTRAL LOCKING KIT

Central door locking is a key feature of most modern cars, sadly lacking however, on Minis. Our kit has been specifically designed to fit neatly in the door frame without bulging the interior trim of the door skin.

This kit includes fittings hardware and wiring, it can be fitted with the electric window kit. Cannot be activated remotely by standard Rover alarm systems.

Central locking kit WPA9221X£124.90

Note: In some cases only part of the kit is shown.



ELECTRIC WINDOW KIT

Electric windows are one of those must have luxury items, so why not the Mini? It just so happens we can help you out. Unlike many other kits on the market, which are basically universal fitting, the Moss kit is custom designed for installation in MkIII and later doors.

The kit includes two new window lift mechanisms complete with motors, two switch pods (which cover the hole where the window winder spindle popped through) and all necessary fittings, wiring and full instructions. One day's labour and you will enjoy the satisfying whir as your windows glide effortlessly up and down.

Electric window kit WPA9220X. .£276.30



ALARM & IMMOBILISER

Alternatively you can install our alarm kit which has been designed to ease fitment and reduce the amount of cutting and splicing of your car's wiring loom. Only fits Minis from 1976 on and cannot be activated remotely by standard Rover alarm systems.

Specification: 127dB six tone siren, 2 key ring programmable transmitters, triggered by shock and opening of doors, bonnet or boot lid dual zone shock sensor back-up battery starter motor immobiliser.

Alarm and immobiliser kit WPA9222X. .£153.60



FOOTWELL LIGHT KIT

This LED kit allows fitting extra courtesy lamps in your car, ideal for illuminating the footwells. The simple kit can be connected to any 12 volt system and includes two LEDs, wiring harness and instructions.

Footwell light kit, 12 volt 903-651£44.70



POWER WINDOW MODULE

If you have fitted our electric windows kit and either our keyless entry or alarm system, this neat gadget will close the windows if left open when you arm the system. Cannot be activated remotely by standard Rover alarm systems.

Power window module WPA92221X£38.20



AUXILIARY SWITCH PLINTH

3 switch holder as fitted to Minis in the 80's to house the fog light switch. Mounts out of the way under the lower dash and is perfect for those extra switches.

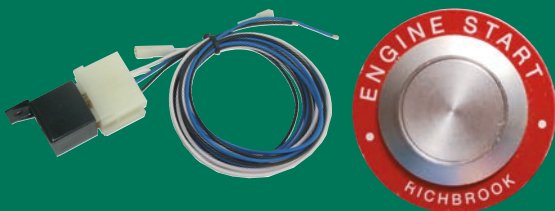
Switch plinth 24G6617.£4.56



RED START BUTTON

This illuminated red start button gives your classic a performance car feel. To prevent theft, your key is still required to switch on the ignition and unlock the steering column. Fitting instructions are included.

Red start button 101-180£18.10



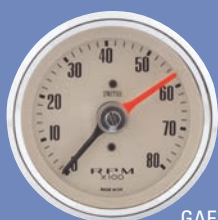
PRO START PUSH BUTTON

Add a race car feel to starting your classic with the pro start push button. Easy to fit with no cutting of wires required. The LED type illuminates green with the ignition on and goes out when the engine is running.

Pro start push button. GAC0060£39.00



GAE125X



GAE130M



GAE130A



GAE124X



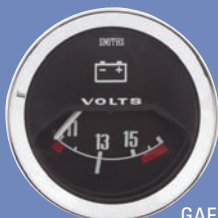
GAE129M



GAE127X



GAE120



GAE122



GAE128X



GAE128M

AUXILIARY GAUGES

Custom build your own dash assembly with these gauges or add them as auxiliary instruments to a wooden dash board. Gauges are supplied with bulb holders and retaining brackets. We offer a range of new gauges in the classic Smiths style with either black or magnolia face with contrasting lettering and an angle section chrome bezel.

Tachometers (80mm diameter)

- 0-7000 tachometer, full face, 80mm, black GAE166 . . . £164.80
- 0-8000 tachometer, full face, 80mm, magnolia . . . GAE130M. . . £180.00
- 0-10000 tachometer, full face, 80mm, black GAE130A . . . £178.00

Water temperature & oil pressure gauges (52mm diameter)

- Water temperature, °C, electric, black GAE124X . . . £57.20
- Water temperature, °C, electric, magnolia. GAE124M. . . £59.50
- Thermal transmitter for electric gauges GTR101 £7.00
- Oil pressure, psi, black. GAE123X . . . £94.00
- Oil pressure, psi, magnolia. GAE123M. . . £101.00
- Oil pressure switch, standard. GPS133. . . . £3.90
- Oil pressure switch, early warning, 20psi. TT2998. . . . £31.00
- Oil temperature, °C, black. GAE129X . . . £68.60
- Oil temperature, °C, magnolia. GAE129M. . . £78.70
- Thermal transmitter oil temp, negative earth . . . GAE129SENDER. £24.50

Dual gauges (52mm diameter)

Dual gauges are full face with oil pressure and water temperature shown. These gauges use a capillary transmitter pipe (supplied with Gauge) for water temperature and nylon hose for oil pressure.



GAE150X



LUSIB748

MT9102

- Dual gauge, °F & psi, black. GAE127X . . . £168.00
- Dual gauge, °C & psi, black LUSJB100. . . £110.00

Oil pressure gauge fittings

- Y piece on engine block LUSIB748. . . £5.50
- Nylon hose for oil pressure gauge LUSIB703. . . £14.40

Oil pressure gauge fittings

- Hose for oil pressure gauge, braided, stainless steel . GLL995120. . . £38.50
- Oil hose sealing washer, 2 required 2K4936 £0.30

Ammeters & volt meters (52mm diameter)

- Ammeter dynamo models, black GAE120 . . . £58.40
- Ammeter alternator models, black GAE121 . . . £56.00
- Voltmeter, black. GAE122 . . . £71.60
- Voltmeter, magnolia GAE122M. . . £58.00

Time clocks (52mm diameter)

- Clock, black. GAE128X . . . £96.50
- Clock, magnolia. GAE128M. . . £93.40

Lucas auxiliary gauges (52mm diameter)

- Water temperature gauge, full face, capillary. . . . LUSIB422. . . £90.00

Boost gauges (52mm diameter)

- Boost gauge, 15 to +30 psi, black GAE150X . . . £98.70
- Boost gauge, 15 to +30 psi, magnolia GAE150M. . . £98.70



GAC8460X
(Gauge not inc.)

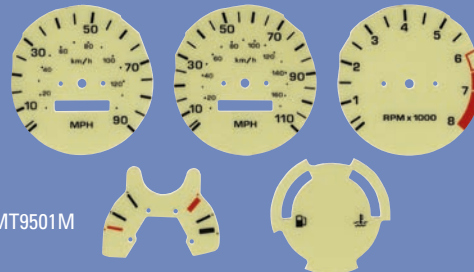


GAC8461X

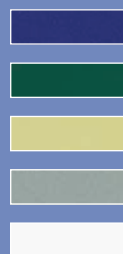
Gauge mounting pods and plinths

A neat way to fit these gauges into your car. The gauge plinths are pressed steel finished with a crackle finished paint.

- Gauge plinth, for tacho only GAC8460X . . . £8.70
- Gauge plinth, for tacho & single gauge GAC8461X . . . £10.80
- Gauge plinth, for single gauge GAC8468X . . . £11.00



MT9501M



GAUGE FACE KITS

These coloured replacement dial faces fit Nippon Seiki gauges fitted to 1989 on models. Contains a full set of faces including the tacho.

- Gauge face kit, blue MT9501B. . . £26.50
- Gauge face kit, green MT9501G. . . £26.50
- Gauge face kit, magnolia MT9501M . . . £27.10
- Gauge face kit, silver MT9501S . . . £26.50
- Gauge face kit, white MT9501W . . . £26.50

BINNACLE KIT & GAUGES

The centre binnacle is essential to any retro conversion. Our kit contains everything you will need to convert to the centre binnacle layout, including binnacle, finisher moulding, wiring harness, dash liners and parcel shelf liner and hardware. The kit is available with the option of either black or magnolia gauges. Note: The speedo is calibrated for Cooper models and may require re-calibrating to suit your car.



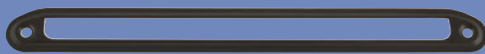
GAC8453X

- Centre binnacle kit, black gauges. GAC8453X . . .£534.10
- Centre binnacle kit, magnolia gauges. GAC8453M . .£540.55



Binnacle components and gauges are also available separately

- 3 clock centre binnacle 24A2702 . . .£37.80
- Binnacle finisher moulding 14A9907 . . .£18.30
- Trim to binnacle clip, 14 required. 14A9796 . . .£1.90
- Loom conversion centre binnacle AN133D . . .£26.65
- 130mph speedo, Cooper S, black. 13H4442. . .£238.00
- 130mph speedo, Cooper S, magnolia. 13H4442M . .£265.00
- 200kph speedo, Cooper S, black 13H4444. . .£254.40
- 200kph speed, Cooper S, magnolia 13H4444M . .£269.10
- Oil pressure, black. 13H4459. . .£89.45
- Oil pressure, magnolia. 13H4459W. .£88.60
- Water temperature, black. 13H4460. . .£56.60
- Water temperature, magnolia 13H4460W. .£63.30



DEMISTER VENT ESCUTCHEON

These demister trims are perfect for that complete restoration. Mounted to the top of the metal fascia where the ashtray is, they are suitable for early cars only without the padded top dash rail. Supplied in black primer or chrome.

- Demister vent, black, each 14A9949 . . .£9.30
- Demister vent, chrome, each 14A9949C. . .£14.40



CHROME AIR VENT COVER SET

This chrome air vent set looks great and adds a touch of style, it includes vent surrounds and adjuster knob covers.

- Chrome air vent cover set MT9301 . . .£9.30



GAE156

SMITHS CLASSIC ELECTRONIC GAUGES

These new Smiths Classic digital speedos and tachos are designed for heritage cars and are the perfect way to bring modern technology into your much loved classic. If your car does not have an electronic speedo output, our speedo sensor kit (GAE1551) will also be required, which senses a magnetic object, such as a bolt head or a nut, moving past the end of the sensor, creating a 'pulse' which is sent to the gauge and then translated. Please Note: Suitable for negative earth cars only.

- Gauge, speedo, electronic, 140MPH, black GAE155 . . .£225.00
- Gauge, speedo, electronic, 0-240kph, 100mm . . GAE157 . . .£225.00
- Gauge, tacho, electronic, 0-7000rpm, 100mm, black. GAE156 . . .£175.00
- Gauge, speedo, electronic, 0-140mph, 80mm . . GAE165 . . .£282.50
- Gauge, speedo, electronic, 0-240kph, 80mm . . . GAE167 . . .£282.50
- Gauge, tacho, electronic, 0-7krpm, 80mm. . . . GAE166 . . .£164.80
- Sensor, speedo, electronic GAE1551 . . .£74.00



STAINLESS STEEL REAR VIEW MIRROR

Replace the Mini's standard 'bulky' plastic rear view mirror with this beautifully made stainless steel mirror. It's sleek design is not only a joy to look at but also a joy to use.

- Stainless steel rear view mirror. MT9141 . . .£28.50



CHROME ASHTRAYS

Ashtrays were fitted to the fascia and in the rear compartments. We offer the original slotted type, or the later flat type.

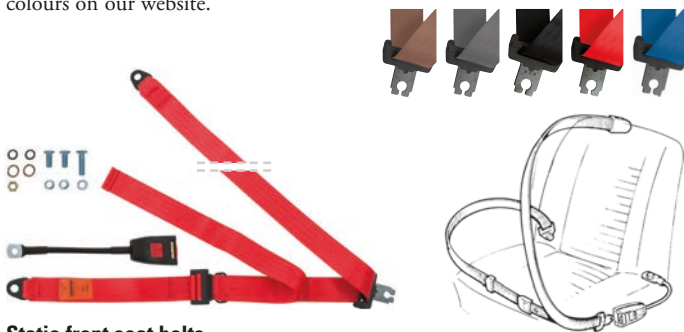
- Chrome ashtray, flat lid 24A1538 . . .£16.50
- Chrome ashtray, slotted lid 8D2490. . .£16.50

SEAT BELTS & HARNESSSES



All the belts and harnesses we supply are manufactured in the UK to exacting standards. The replacement belts and harness kits are sold individually. Harnesses do not contain shoulder pads, these must be purchased separately.

We can offer the Securon range of belts in black, red, grey, beige or blue. Below we list just the black and red options; you can find our full range of colours on our website.



Static front seat belts

- Static seat belt kit, blackSBS300/30£30.60
- Static seat belt kit, redSBS300/30RED . . £36.90



Automatic front seat belts

- Automatic seat belt kit, blackSBS500/30£57.30
- Automatic seat belt kit, redSBS500/30RED . . £57.30



Static rear seat belts

- Static 3 point seat belt, blackSBS200£26.40
- Static 3 point seat belt, redSBS200RED £39.30



- Static lap seat belt, blackSBS210£21.30
- Static lap seat belt, redSBS210RED £31.30



Automatic rear seat belts

- Automatic 3 point seat belt, blackSBS254£41.50
- Automatic 3 point seat belt, redSBS254RED £55.20



Seat belt extender

Can be used to safely extend the seat belt if required. 'E' approved for road use.

- Seat belt extender, redSBS227£19.80



Harness kits for road use - 'E' approved

These belts feature 2" webbing with bolt through plate mountings (use with bolts TT7969). Fully adjustable lap and shoulder straps with compact buckle catch. 'E' approved for road use.

- 3 point harness kit, blackSBH628BLACK . . £38.40
- 3 point harness kit, redSBH628RED . . . £38.40
- 4 point harness kit, blackSBH629BLACK . . £37.30
- 4 point harness kit, redSBH629RED . . . £37.30



These belts feature 2" webbing with clip-in snap hook mountings (use with eye bolts TT7967). Fully adjustable lap and shoulder straps with load spreaders on lap belts and a compact buckle catch. 'E' approved for road use.

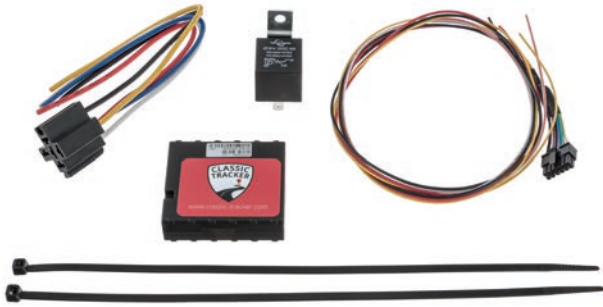
- 3 point harness kit, blackSBH605BLACK . . £45.90
- 3 point harness kit, redSBH605RED . . . £45.90
- 3 point harness kit, blueSBH605BLUE . . £45.90
- 4 point harness kit, blackSBH655BLACK . . £52.20
- 4 point harness kit, redSBH655RED . . . £52.20
- 4 point harness kit, blueSBH655BLUE . . £52.20



Retractor reel 3 point harness

This 3 point harness features a retractor reel on the over-shoulder strap allowing movement within the seat. The reel works in the same way as a standard automatic belt engaging the locking mechanism if required.

- 3 point retractor harness, black SBH700BLACK £77.40



CLASSIC TRACKER AND IMMOBILISER

Classic Tracker provides a secure and reliable tracking service dedicated for classic cars and motorcycles! A three-wire, self-install tracker which uses GPS & GSM to establish and maintain the secure-status of your classic. In the event of any unauthorised movement or tampering, you receive an alert via app/SMS/email and have access to real-time information on an app or the web. An immobilizer is provided so you can remotely immobilise your car during a theft situation just by accessing the app on your phone or on the web. The Immobiliser Pack involves connecting a relay across either your vehicles' ignition or electric fuel pump which is controlled via a fourth wire from the tracker. Classic Tracker 'Safer' pack contains: Tracker unit, Immobiliser pack and one year subscription. After the subscription ends you have the option to renew it or cancel it, if you decide to renew it the annual subscription fee is £99.00 per year. DIY installation is straight forward and can be installed in less than 2 hours, however if you're not sure we recommend installation by a professional.

Classic Tracker. TRACKER1 .£305.00



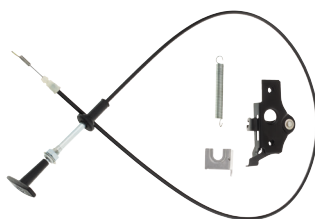
SEAT HARNESSES FITTINGS

Eye bolts, use with clip-in mountings, pair TT7967. . . . £12.30
 Bolt & spacer, use with plate mountings, pair. . . TT7969. . . . £6.60
 Nut plates, reinforced for fixing bolts, pair TT7968. . . . £9.90



HANDBRAKE GRIP

Smarten up the Mini's handbrake. It will make handbrake turns even more fun.
 Handbrake grip FAM8356 £7.55



BONNET RELEASE KIT

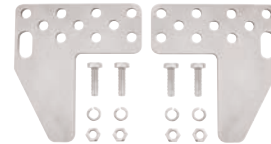
As fitted to the very latest range of Minis, we have the cable operated bonnet release kit.
 Cable bonnet release kit. GAC8425X . . . £32.80



STEERING COLUMN DROP BRACKET

This drop bracket lowers the angle of the steering column for a more comfortable driving position, especially when the seat is lowered or moved.

Steering column drop bracket, non airbag, (to 1996) . GAC8426X . . . £3.80



SEAT RUNNER EXTENSION

Specially for the taller Mini driver, just because you are tall doesn't mean you can't drive your Mini in comfort.

Seat runner extension, pair GAC8427X . . . £6.00



12 VOLT POWER SOCKET

This 12 volt supply or cigar lighter is a useful addition to your classic's interior. It is suitable for use as a 12 volt power socket for in-car accessories such as Sat Nav or simply for lighting your cigars.

Cigar lighter. AHH7010 . . . £20.00
 Bracket under dash mounting AHH7010BKT . £4.85

GAC8428X



900-315

THROTTLE PEDALS

Whether you choose the Paddy Hopkirk or plain extension pedal is up to you, they are both specifically designed to aid heel and toe shifting.

Paddy Hopkirk pedal extension 900-315.NCA
 Throttle pedal extension GAC8428X . . . £7.20

MT9311



MT9312

DOOR SILL TREAD PLATES

Protect the door step as you get in and out with these highly polished stainless steel tread plates. Available in two designs these sill plates also are easy to fit.

Stainless steel with Mini and chequered text MT9311 £27.60
 Stainless steel with Mini Cooper & chequered text. MT9312 £28.60

MOTO-LITA STEERING WHEELS

Moto-Lita

Moto-Lita are among the finest replacement steering wheels available. Designed to enhance the appearance of the cockpit and provide an improved feel for the driver. Available in a variety of styles, materials and sizes to suit, please see our website for the full list of options. All steering wheels listed feature drilled spokes, except where detailed.

Wood rimmed steering wheels

- Mk3, flat, polished spokes, 13" MLW1115-13 .£191.50
- Mk3, flat, polished spokes, 14" MLW1115-14 .£191.50
- Mk3, flat, polished spokes, 15" MLW1115-15 .£191.50
- Mk3, dished, polished spokes, 13" MLW1116-13 .£191.50
- Mk3, dished, polished spokes, 14" MLW1116-14 .£191.50
- Mk3, dished, polished spokes, 15" MLW1116-15 .£191.50
- Mk3, flat polished spokes with thin slot, 14" . MLW1120-14 .£191.50
- Mk3, flat, polished spokes with thin slot, 15" . MLW1120-15 .£191.50
- Mk3, flat, polished spokes with wide slot, 13" . MLW1122-13 .£191.50
- Mk3, flat, polished spokes with wide slot, 14" . MLW1122-14 .£191.50
- Mk3, flat, polished spokes with wide slot, 15" . MLW1122-15 .£191.50

- Mk3, dished, polished spokes with thin slot, 13" . MLW1125-13 .£191.50
- Mk3, dished, polished spokes with thin slot, 14" . MLW1125-14 .£191.50
- Mk3, dished, polished spokes with thin slot, 15" . MLW1125-15 .£191.50

Leather trimmed steering wheels

- Mk4, flat, polished spokes, 12" MLW1111-12 .£191.50
- Mk4, flat, polished spokes, 13" MLW1111-13 .£191.50
- Mk4, flat, polished spokes, 14" MLW1111-14 .£191.50
- Mk4, flat, polished spokes, 15" MLW1111-15 .£191.50
- Mk4, flat, black spokes ,13" MLW1112-13 .£191.50
- Mk4, flat, black spokes, 14" MLW1112-14 .£191.50
- Mk4, flat, black spokes, 15" MLW1112-15 .£191.50



- Mk4, dished, polished spokes, 12" MLW1113-12 .£191.50
- Mk4, dished, polished spokes, 13" MLW1113-13 .£191.50
- Mk4, dished, polished spokes, 14" MLW1113-14 .£191.50
- Mk4, dished, polished spokes, 15" MLW1113-15 .£191.50
- Mk4, dished, black spokes, 13" MLW1114-13 .£191.50
- Mk4, dished, black spokes, 14" MLW1114-14 .£191.50
- Mk4, dished, black spokes, 15" MLW1114-15 .£191.50
- Mk4, flat, polished spokes with thin slot, 13" . MLW1121-13 .£191.50
- Mk4, flat, polished spokes with thin slot, 14" . MLW1121-14 .£191.50
- Mk4, flat, polished spokes with thin slot, 15" . MLW1121-15 .£191.50
- Mk4, dished, polished spokes with thin slot, 13" MLW1126-13 .£191.50
- Mk4, dished, polished spokes with thin slot, 14" MLW1126-14 .£191.50
- Mk4, dished, polished spokes with thin slot, 15" MLW1126-15 .£191.50

Mahogany rimmed steering wheels

- Mk9, flat, polished spokes with thin slot, 14" . MLW1119-14 .£282.50
- Mk9, flat, polished spokes with thin slot, 15" . MLW1119-15 .£282.50
- Mk9, flat, polished spokes with holes, 14" . . . MLW1119-14H.£282.50
- Mk9, flat, polished spokes with holes, 15" . . . MLW1119-15H.£282.50



MOTO-LITA ACCESSORIES

Moto-Lita

- Billet centre cap, 3.5" MLW1117BCC .£52.00
- Billet horn push, 3.5" MLW1117BHP .£97.50
- Moto-Lita centre cap MLW1117X1 .£12.60
- Centre cap and horn push MLW1117X2 .£21.50
- Polished ring kit MLW1117X3 .£15.80
- Black ring kit MLW1117X3B .£18.46



Tourist Trophy centre cap

Replace your Moto-Lita centre cap/horn push with one of our Tourist Trophy direct replacements. Featuring a large chrome & enamel marquee badge. If your car has the horn push on a stalk please use the Tourist Trophy horn push/centre cap supplied as a centre cap, keeping your existing horn push on the stalk.

Tourist Trophy centre cap/horn push 905-649£30.10



MOTO-LITA ADAPTOR BOSSES

Moto-Lita

- Horn push for single stalk, (1958-66) MLW1117B1HM. £72.00
 - Non horn push for single stalk, (1966-69) MLW1117B1M. £72.00
 - For single stalk, (1969-75) MLW111725M .£72.00
 - For twin stalk, (1976 on*) MLW111745M .£72.00
- (*Note: On later cars from 1989 on there is only one indicator cancelling pin, match the boss to the existing wheel and remove the unwanted pin).



CUP HOLDER

This extremely useful folding cup holder can be mounted almost anywhere inside your car. The arms adjust in or out to suit the size of your container and folds up when not in use to give a neat appearance.

Expandable cup holder. 222-090£11.60



ALLOY INTERIOR DOOR HANDLE SET

A stylish way to enhance your Mini's interior, supplied as a complete set with window winders, door release handles and door pulls.

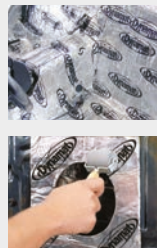
Alloy interior door handle set GAC4605 £62.35



CHROME INTERIOR HANDLE SET

Enhance the appearance of your Mini with these chrome plated interior handles. The set features alternative styles of handle and includes chrome plated fixing screws, where necessary.

Chrome interior handle set, to 1982 WPA9018X . . . £76.30



DYNAMAT HEAT & SOUND INSULATION

We now stock Dynamat, a revolutionary range of products designed to keep your classic cool & quiet.

- Non absorbent materials.
- Self adhesive 'peel & stick'.
- Easily cut & moulded to fit.
- Isolates panel vibration.
- Reduces road noise.
- Reduces heat soak from engine & exhaust.

Dynamat Xtreme

A highly efficient, composite material designed to reduce noise, vibration & heat soak through panel work.



MOMO GEAR KNOBS

For over 30 years MOMO has been developing and producing automotive products to the very highest quality. So renowned for their quality that many manufacturers fit MOMO as an optional upgrade. Whichever gear knob you choose, it is sure to complement your interior.

- 1 Race air leather gear knob MOMO1057. £101.80
- 2 Anatomic hide gear knob. MOMO1050. £82.00
- 3 Aluminium sport gear knob MOMO1054. . . . NCA
- 4 Competition gear knob MOMO1053. . . . NCA



GEAR KNOBS

These quality Mini gear knobs are available in leather or wood.

- Leather Cooper gear knob GAC4052C . . . £15.00
- Wood Cooper gear knob GAC4053C . . . £15.00



GAITER FINISHER KIT

Smarten up your gear stick with this easy to fit universal gaiter finisher kit. Some gaiters may require modification to fit. (Gaiter not included).

Chrome gaiter finishing kit GAC9540 . . . £19.60

- Dynamat Xtreme, speaker pack GAC90511 . . . £15.00
(2 sheets of 254mm x 254mm (10" x 10").
- Dynamat Xtreme, wedge pack GAC90512 . . . £30.00
(1 sheet of 457mm x 812mm (18" x 32").
- Dynamat Xtreme, door pack GAC90513 . . . £80.00
(4 sheets of 305mm x 914mm (12" x 36").
- Dynamat Xtreme, bulk pack GAC90514 . . £210.00
(9 sheets of 457mm x 812mm (18" x 32").

Dynaliner

Dynaliner is an ultra-light weight, durable single layer insulation material that can be used as an alternative to traditional underfelt. It provides acoustic isolation and excellent thermal insulation.

- Dynaliner, 1/8" thick. GAC90531 . . . £58.00
(1 sheet of 813mm x 1372mm (32" x 54").
- Dynaliner, 1/4" thick. GAC90532 . . . £85.00
(1 sheet of 813mm x 1372mm (32" x 54").
- Dynaliner, 1/2" thick. GAC90534 . . £110.00
(1 sheet of 813mm x 1372mm (32" x 54").

Hoodliner

Designed specifically for under bonnet insulation, Hoodliner absorbs engine noise to help keep your car quieter. The aluminised skin creates a water & oil barrier that reflects up to 97% of heat to protect the bonnet's paint.

Hoodliner GAC90541 . . . £85.00
(1 sheet of 813mm x 1372mm (32" x 54").



CSA9002Z

ECONOMY CARPET SETS

This set does not have sound deadening backing material, but it can be used with the sound deadening kit left. These carpet sets include: front wheel arch, front bulkhead, front and rear floor and sill carpets. Supplied with all fittings and instructions. Compatible with RHD or LHD models. Note: These are a straight replacement for Saloon & Clubman from 1973 onwards but also compatible with earlier models, but may sit slightly proud around the floor starter switch. Gear Lever and steering column holes are not cut.

Saloon, Clubman (1973 On)

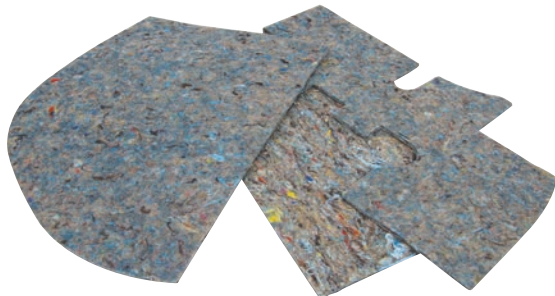
- Carpet set, black CSA9002Z . . . £40.60
- Carpet set, red CSR9002Z . . . £40.60
- Carpet set, grey CSF9002Z . . . £71.10
- Carpet set, blue CSN9001Z . . . £40.60



610624 GHF600 2H8445 14G8736 UBS110

CARPET FITTINGS & ADHESIVES

- Fastener fitted to floor 610624 £0.62
- Rivet fastener to floor GHF600 £0.16
- Clip on back of carpet 2H8445 £0.41
- Spike ring through carpet pile 14G8736 £0.30
- Trim adhesive, aerosol UBS203 £8.70
- Trim adhesive, heat resistant, aerosol GAC9908X . . . £15.00
- Trim adhesive, brush on, 1litre UBS110 £22.10



UNDERFELT CARPET KIT

GAC8429X

Keeping the noise level down is not easy! Most carpet sets on the market don't have a great deal of backing on them so fitting the underfelt fit not only reduces the noise level but also make the carpet feel much nicer underfoot.

- Underfelt kit, pre cut MT9540 £34.90
- Under carpet sound insulation kit GAC8429X . . . £61.80
- Space age heat shield, 48" x 72" sheet 409-016 £34.90



MOULDED CARPET SETS (UP TO 1973)

This moulded carpet kit will fit any Mini Traveller/Countryman or early Mini Clubman Estates built with the early rounder front tunnel, with the MKI floor start 'hump' (regardless of whether direct or later remote gear-change). These carpet sets feature 12mm thick sections of sound deadening laminated to the backing of the carpet to keep the sound levels as low as possible. Supplied with all fittings and instructions.

Estate/Traveller (up to 1970)

- Carpet set, black CSA902010 . . . £251.30
- Carpet set, red CSA902020 . . . £251.30
- Carpet set, biscuit CSA902031 . . . £251.30
- Carpet set, green CSA902050 . . . £251.30
- Carpet set, grey CSA902060 . . . £251.30
- Carpet set, blue CSA902070 . . . £251.30
- Carpet set, powder blue CSA902071 . . . £251.30

Saloon, Clubman (up to 1973)

This carpet kit will fit any Mini Saloon built with the early rounder front tunnel, with the MKI floor start 'hump' (regardless of whether direct or later remote gear-change).

- Carpet set, black CSA901010 . . . £237.00
- Carpet set, red CSA901020 . . . £251.30
- Carpet set, biscuit CSA901031 . . . £251.30
- Carpet set, green CSA901050 . . . £251.30
- Carpet set, grey CSA901060 . . . £237.00
- Carpet set, blue CSA901070 . . . £237.00
- Carpet set, powder blue CSA901071 . . . £251.30

Van/ Pickup (up to 1973)

This moulded carpet kit will fit any Mini Van or Pickup built with the early, rounder front tunnel with the MkI floor start 'hump', regardless of whether direct or the later remote gear change.

- Carpet set, black CSA903010 . . . £251.30
- Carpet set, red CSA903020 . . . £251.30
- Carpet set, biscuit CSA903031 . . . £251.30
- Carpet set, green CSA903052 . . . £251.30
- Carpet set, grey CSA903062 . . . £251.30
- Carpet set, blue CSA903070 . . . £251.30
- Carpet set, powder blue CSA903071 . . . £251.30



CSA906060

MOULDED CARPET SETS (1973 ON)

Saloon, Clubman Saloon (1973 on)

This moulded carpet kit will fit any Mini saloon built with the late 'square' front tunnel, which was introduced in 1973. The previous tunnel design was much more rounded and included the hump for the MKI starter housing, which by 1973 had long been redundant on most models. These carpet sets feature 12mm thick sections of sound deadening laminated to the backing of the carpet to keep the sound levels as low as possible. Supplied with all fittings and instructions.

- Carpet set, black CSA906010 . . .£251.30
- Carpet set, red CSA906020 . . .£251.30
- Carpet set, biscuit CSA906031 . . .£251.30
- Carpet set, green CSA906050 . . .£251.30
- Carpet set, grey CSA906060 . . .£251.30
- Carpet set, powder blue CSA906071 . . .£251.30
- Carpet set, blue CSA906072 . . .£251.30

Clubman Estate (1973 On)

This moulded carpet kit will fit any Clubman Estate built with the late 'square' front tunnel, which was introduced in 1973. The previous tunnel design was much more rounded and included the hump for the MKI starter housing, which by 1973 had long been redundant on most models.

- Carpet set, black CSA907010 . . .£252.00
- Carpet set, red CSA907020 . . .£252.00
- Carpet set, biscuit CSA907031 . . .£252.00
- Carpet set, green CSA907050 . . .£252.00
- Carpet set, grey CSA907060 . . .£252.00
- Carpet set, powder blue CSA907071 . . .£252.00
- Carpet set, blue CSA907072 . . .£252.00

Van/Pickup (1973 on)

This moulded carpet kit will fit any Mini Van or Pickup built with the late 'square' front tunnel, which was introduced in 1973. The previous tunnel design was much more rounded and included the 'hump' for the MkI starter housing, which by 1973 had long been redundant on most models.

- Carpet set, black CSA909010 . . .£250.00
- Carpet set, red CSA909020 . . .£250.00
- Carpet set, biscuit CSA909031 . . .£250.00
- Carpet set, green CSA909052 . . .£250.00
- Carpet set, grey CSA909062 . . .£250.00
- Carpet set, powder blue CSA909071 . . .£250.00
- Carpet set, blue CSA909070 . . .£228.70

Estate/Traveller (1963-66)

This kit comprises of three items to re-carpet the rear of a Traveller or Clubman estate: the main carpet piece covers the spare wheel and main floor across the back of the car, the large rectangle to cover the back of the rear seat squab, and a spare piece of vinyl to recover the finished that runs along the top of the seat squab. This kit fits MkI Travellers with the fuel tank under the rear floor.

- Carpet set, nylon, black CSA904010 . . .£78.30
- Carpet set, nylon, red CSA904020 . . .£78.30
- Carpet set, nylon, biscuit CSA904031 . . .£78.30
- Carpet set, nylon, green CSA904050 . . .£72.10
- Carpet set, nylon, grey CSA904060 . . .£78.30
- Carpet set, nylon, powder blue CSA904071 . . .£78.30
- Carpet set, nylon, blue CSA904070 . . .£78.30

Traveller/Clubman Estate (1966-80)

This kit comprises of three items to re-carpet the rear of a Traveller or Clubman estate: The main carpet piece covers the spare wheel board and main floor across the back of the car, a large rectangle to cover the back of the rear seat squab, and a spare piece of vinyl to recover the finisher that runs along the top of the seat squab. Please note: This kit does not fit the Traveller with the fuel tank underneath the rear floor.

- Carpet set, nylon, black CSA905010 . . .£78.40
- Carpet set, nylon, red CSA905020 . . .£78.40
- Carpet set, nylon, biscuit CSA905031 . . .£78.40
- Carpet set, nylon, green CSA905050 . . .£78.40
- Carpet set, nylon, grey CSA905060 . . .£78.40
- Carpet set, nylon, powder blue CSA905071 . . .£78.40
- Carpet set, nylon, blue CSA905072 . . .£78.40



MFM113

FOOTWELL MATS

Protect the carpets in your Mini with these quality footwell mats featuring bound edges. The tailored fit and non-slip backing ensures secure location. Available as a two piece or four piece set.

- Footwell mats, no logo, set of 2, (1973 on) GAC6902 . . .£46.30
- Footwell mats, no logo, set of 4, (1973 on) GAC6904NCA
- Footwell mats, no logo, set of 4, universal MFM113£32.40

MINI VAN REAR LOAD CARPETS

Originally Mini vans were never carpeted in the rear, however we offer this one piece mat for van owners who are looking to protect the floor in the rear of the van.

RHD

- Carpet, rear load area, black CSA9031710 . . .£85.00
- Carpet, rear load area, tartan red CSA9031723 . . .£85.00
- Carpet, rear load area, British racing green CSA9031750 . . .£85.00
- Carpet, rear load area, dove grey CSA9031761 . . .£85.00

LHD

- Carpet, rear load area, black CSA9032710 . . .£85.00
- Carpet, rear load area, tartan red CSA9032723 . . .£85.00
- Carpet, rear load area, British racing green CSA9032750 . . .£85.00
- Carpet, rear load area, dove grey CSA9031761 . . .£85.00



BOOT BOARDS

Boot board assembly - saloons with single 5.5 fuel tank (1962-84)

This kit is a completely carpeted boot board ready for installation into your Mini. Originally fitted to MkI and MkII Minis after 1962, these are a popular accessory to any car fitted with a 5.5 gallon fuel tank. The board is supplied trimmed with a piece of carpet with a matching vinyl edge sewn onto it. Originally the boot carpet colour would match that of the main floor carpet.

Assembly, boot board, black	CSA910210 . . .	£90.00
Assembly, boot board, tartan red	CSA910223 . . .	£95.00
Assembly, boot board, biscuit	CSA910231 . . .	£95.00
Assembly, boot board, British racing green	CSA910250 . . .	£95.00
Assembly, boot board, dove grey	CSA910261 . . .	£95.00
Assembly, boot board, navy	CSA910270 . . .	£95.00

Boot board assembly - saloons with twin 5.5 fuel tanks (1962-84)

This kit is a completely carpeted boot board, ready for installation into your Mini. This kit will fit any vehicle fitted with the standard Cooper twin tank arrangement with the 5.5 gallon LH tank. The board is supplied trimmed with a piece of carpet with a matching vinyl edging sewn onto it. Originally the boot carpet would have matched the main carpet in colour.

Assembly, boot board, black	CSA910310 . . .	£96.00
Assembly, boot board, tartan red	CSA910323 . . .	£96.00
Assembly, boot board, biscuit	CSA910331 . . .	£96.00
Assembly, boot board, British racing green	CSA910350 . . .	£96.00
Assembly, boot board, dove grey	CSA910361 . . .	£96.00
Assembly, boot board, navy	CSA910370 . . .	£96.00

Boot board carpet only - saloons with single 5.5 gallon fuel tank (1962-84)

This recovering kit allows the customers to recover their existing board. Originally fitted to MkI and MkII Minis after 1962, these are now a popular accessory to any car fitted with the 5.5 gallon LH fuel tank. This piece of carpet comes with a matching vinyl edging sewn to it so that the edge can be turned over the board, glued, and then stapled on the underside. Originally the boot carpet would match the colour of the main floor.

Carpet, boot, nylon, black	CSA910510 . . .	£41.50
Carpet, boot, nylon, tartan red	CSA910523 . . .	£41.50
Carpet, boot, nylon, biscuit	CSA910531 . . .	£41.50
Carpet, boot, nylon, British racing green	CSA910550 . . .	£41.50
Carpet, boot, nylon, dove grey	CSA910561 . . .	£41.50
Carpet, boot, nylon, navy	CSA910570 . . .	£41.50

Boot board carpet only - saloons with twin 5.5 gallon fuel tanks (1962-84)

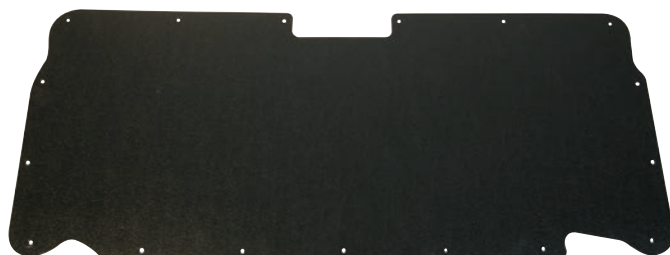
This recovering kit allows the customers to recover their existing board. This kit will fit any vehicle fitted with the standard Cooper twin tank arrangement. This piece of carpet comes with a matching vinyl edging sewn to it so that the edge can be turned over the board, glued, and then stapled on the underside. Originally the boot carpet would match the colour of the main floor.

Carpet, boot, nylon, black	CSA910610 . . .	£41.50
Carpet, boot, nylon, tartan red	CSA910623 . . .	£41.50
Carpet, boot, nylon, biscuit	CSA910631 . . .	£41.50
Carpet, boot, nylon, British racing green	CSA910650 . . .	£41.50
Carpet, boot, nylon, dove grey	CSA910661 . . .	£41.50
Carpet, boot, nylon, navy	CSA910670 . . .	£41.50

Boot board assembly - saloons with single 7.5 gallon LH fuel tank

This kit is a complete carpeted boot board, ready to install into your Mini. This kit will fit any Mini fitted with the 7.5 gallon single fuel tank which first appeared as standard issue in 1974 on the 1275 GT. The board is supplied trimmed with a piece of carpet with matching vinyl edging sewn onto it. Originally the boot carpet colour would match that of the main floor.

Assembly, boot, black	CSA930410 . . .	£95.00
Assembly, boot, tartan red	CSA930423 . . .	£95.00
Assembly, boot, biscuit	CSA930431 . . .	£95.00
Assembly, boot, British racing green	CSA930450 . . .	£95.00
Assembly, boot, dove grey	CSA930461 . . .	£95.00
Assembly, boot, navy	CSA930470 . . .	£95.00
Floor mat, boot, black	CSA910110 . . .	£63.00



BLL1000X



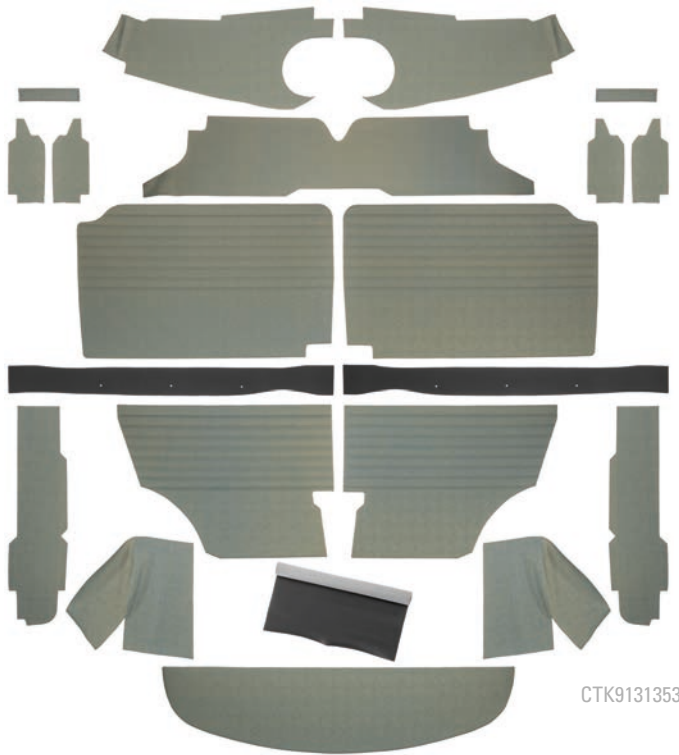
EBF1001150

BOOT TRIM

Boot board assembly - saloons with single 5.5 fuel tank (1962-84)

Tidy the boot area of your Mini with this moulded plastic boot floor liner (not suitable for injected or twin tank cars). Also the boot lid liner really smartens thing up and stops those washers falling into the boot frame never to be seen again.

Boot lid liner, includes screws	BLL1000X . . .	£21.50
Plastic boot floor liner	EBF100150 . . .	£54.00



SALOON & COOPER COMPLETE TRIM KITS (1962-76)

Complete kit MkI with oval speedo

This trim kit includes all the panels you require to trim your MkI Mini, both the Cooper and standard model. Includes the following: Pair of oval speedo panels. Padded dash tray liner. Pair of door panels. Pair of rear quarter panels. Front & rear pocket liners (Supplied in black painted and grained fibreboard only). Wheel arch covers. Rear parcel shelf. Door check straps (Door check straps on Cooper brocade models were rarely in the matching brocade colour, and were instead in a contrasting colour. Our kit include the matching brocade colour). Also includes a roll of loose leather cloth to cover the dash rails and A posts.

Trim kit, black	CTK9131310	£428.20
Trim kit, tartan red	CTK9131323	£428.40
Trim kit, biscuit	CTK9131331	£428.20
Trim kit, porcelain green	CTK9131351	£428.20
Trim kit, dove grey	CTK9131361	£428.20
Trim kit, grey fleck	CTK9131365	£428.20
Trim kit, blue grey	CTK9131372	£428.20
Trim kit, gold brocade	CTK9131353	£877.40

Complete kit MkII with oval speedo

This 19 piece kit includes all the panels you will require to trim your MkII Mini. Complete with the following: Pair of oval speedo panels. Padded dash tray liner. Pair of door panels. Pair of rear quarter panels. Front and rear pocket liners. Wheel arch covers. Door fillet panels. Rear parcel shelf. Door check straps. Also includes a roll of loose leather cloth to cover the dash rails and A posts.

Trim kit, black	CTK9231310	£428.20
Trim kit, tartan red	CTK9231323	£428.20
Trim kit, dove grey	CTK9231361	£428.20

Complete kit MkII with central round speedo

This 19 piece kit includes all the panels you will require to trim your MkI or MkII Mini fitted with a central round speedo binnacle. Complete with the following: Pair of round speedo panels. Padded dash tray liner. Pair of door panels. Pair of rear quarter panels. Front & rear pocket liners. Wheel arch covers. Door fillet panels. Rear parcel shelf. Door check straps. Also includes a roll of loose black leather cloth to cover the dash rails and A posts.

Trim kit, black	CTK9231410	£428.20
Trim kit, tartan red	CTK9231423	£428.20
Trim kit, biscuit	CTK9231431	£428.20
Trim kit, porcelain green	CTK9231451	£428.20
Trim kit, dove grey	CTK9231461	£428.20
Trim kit, grey fleck	CTK9231465	£428.20
Trim kit, blue grey	CTK9231472	£428.20

Complete kit MkIII Mini 1000 & 1275 with oval speedo

This 13 piece kit includes all the panels you will require to trim your MkIII Mini fitted with a central oval speedo binnacle. This was usually the Mini 1000 and the Mini 1275 Cooper S models, the 850cc models usually had a round central speedo. This kit will only fit vehicles up to 1973 because of the change in the mounting of the ash tray in the rear pockets, the rear quarter panels and pocket liners are different. Complete with the following: Pair of round speedo panels. Padded dash tray liner. Pair of door panels. Pair of rear quarter panels. Rear pocket liners. Wheel arch covers. Rear parcel shelf. Also includes a roll of loose black leather cloth to cover the dash rails and A posts.

Trim kit, black	CTK9331310	£332.00
Trim kit, tartan red	CTK9331323	£332.00
Trim kit, autumn leaf	CTK9331330	£332.00
Trim kit, biscuit	CTK9331331	£332.00
Trim kit, porcelain green	CTK9331351	£332.00
Trim kit, dove grey	CTK9331361	£332.00
Trim kit, navy	CTK9331370	£332.00

Complete kit MkIII Mini 850 with round speedo

This 13 piece kit includes all the panels you will require to trim your MkIII Mini fitted with a round central speedo binnacle. The kit will only fit vehicle up to 1973 because of the change in the mounting of the ash tray in the rear pockets, the rear quarter panels and rear pocket liners are different. Comes complete with the following: Pair of round speedo panels. Padded dash tray liner. Pair of door panels. Pair of rear quarter panels. Rear pocket liners. Wheel arch covers. Rear parcel shelf. Also comes with a roll of loose black leather cloth to cover the dash rails and A posts.

Trim kit, black	CTK9331410	£332.00
Trim kit, tartan red	CTK9331423	£332.00
Trim kit, autumn leaf	CTK9331430	£332.00
Trim kit, navy	CTK9331470	£332.00





TRAVELLER COMPLETE TRIM KITS (1962-69)

Complete kit front MkI with oval speedo

The MkI travellers petrol tank was moved from an internal tank on the side of the vehicle, to being located underneath the rear floor after October 1961. This, in turn, meant moving the filler to the right hand side of the car. This trim kit includes all the panels to trim the MkI traveller, including the rear parts of the vehicle. Kit includes: Pair of oval speedo panels. Padded dash tray liner. Pair of door panels. Pair of rear quarter panels. Front & rear pocket liners. Door fillet panels. Rear parcel shelf. Pair of rear compartment panels. All the small/long panels to fit around the rear window and door. Door check straps. Also includes a roll of loose black leather cloth to cover the dash rails and A posts. Please note: This kit does not come with clips and some of these D shaped clips are no longer available, so try to ensure you retain as many of the original clips as possible.

Trim kit, black	CTK9151310 . . .	£720.40
Trim kit, tartan red	CTK9151323 . . .	£720.40
Trim kit, biscuit	CTK9151331 . . .	£720.40
Trim kit, porcelain green	CTK9151351 . . .	£720.40
Trim kit, dove grey	CTK9151361 . . .	£720.40
Trim kit, grey fleck	CTK9151365 . . .	£720.40
Trim kit, navy	CTK9151370 . . .	£720.40

Complete rear kit early MkI (up to 1961) internal fuel tank

Very early MkI travellers, built before October 1961, were fitted with an internal petrol tank with the filler located on the left hand side of the car. This trim kit includes all of the panels to fit to the rear parts of the vehicle only. Please note: This kit does not come with clips and some of these D shaped clips are no longer available. Please try and retain as many of the original clips as possible.

Trim kit, rear, black	CTK915210 . . .	£356.00
Trim kit, rear, tartan red	CTK915223 . . .	£356.00
Trim kit, rear, porcelain green	CTK915251 . . .	£356.00
Trim kit, rear, dove grey	CTK915261 . . .	£356.00

Complete kit MkI-II with round speedo

The petrol tank on the MkI Traveller moved from an internal tank to being located underneath the rear floor in October 1961. This moved the filler to the right hand side of the car. This trim kit includes all the panels including the rear parts of the vehicle. Complete with: Pair of round speedo panels. Padded dash tray liner. Pair of door panels. Pair of rear quarter panels. Front & rear pocket liners. Wheel arch covers. Door fillet panels. Rear parcel shelf. Pair of rear compartment panels. All the small/long panels to fit around the rear window and door. Door check straps. Also includes a roll of loose black leather cloth to cover the dash and A posts. Please note: This kit does not come with clips and some of these D shaped clips are no longer available, so please try and retain as many of the original clips as you can.

Trim kit it, black	CTK9251410 . . .	£720.40
Trim kit, tartan red	CTK9251423 . . .	£720.40
Trim kit, biscuit	CTK9251431 . . .	£720.40
Trim kit, porcelain green	CTK9251451 . . .	£720.40
Trim kit, dove grey	CTK9251461 . . .	£720.40
Trim kit, grey fleck	CTK9251465 . . .	£720.40

CLUBMAN ESTATE COMPLETE TRIM KITS (1970-82)

Complete kit RHD MkIII

This kit includes all the interior trim panel kits to re-trim your MkIII Mini Clubman Estate with its own distinctive design. Created on a high frequency welding machine this 'grid' style design was exclusive to the MkIII Clubman models, used on both the Saloon and Estate models. Comes complete with: Pair of RHD offset speedo panels. Padded dash tray liner. Pair of door panels. Pair of rear quarter panels. Pair of rear pocket liners. Pair of wheel arch covers. Pair of rear compartment panels. All the small/long panels to fit around the rear windows and doors.

Please note: These are special order items due to having multiple options, for assistance, further information or to place an order please contact our Sales team.

Trim kit, offset speedo, RHD, black	CTK93415110 . . .	£695.50
Trim kit, offset speedo, RHD, beige	CTK93415133 . . .	£695.50
Trim kit, offset speedo, RHD, navy	CTK93415170 . . .	£695.50

Complete kit LHD MkIII

This kit includes all the interior trim panel kits to re-trim your MkIII Mini Clubman Estate with its own distinctive design. Created on a high frequency welding machine this 'grid' style design was exclusive to the MkIII Clubman models, used on both the Saloon and Estate models. Comes complete with: Pair of LHD offset speedo panels. Padded dash tray liner. Pair of door panels. Pair of rear quarter panels. Pair of rear pocket liners. Pair of wheel arch covers. Pair of rear compartment panels. All the small/long panels to fit around the rear windows and doors.

Please note: These are special order items due to having multiple options, for assistance, further information or to place an order please contact our Sales team.

Trim kit, offset speedo, LHD, black	CTK93415210 . . .	£695.50
Trim kit, offset speedo, LHD, beige	CTK93415233 . . .	£695.50
Trim kit, offset speedo, LHD, navy	CTK93415270 . . .	£695.50

Complete kit RHD MkIV

This kit includes all the interior panels to re-trim you MkIV Mini Clubman Estate. In 1976, Mini trim was standardised and all models, including the Saloon, Estates and Clubman models shared the same weld design on the door panels reminiscent of the MGB. Complete with: Pair of offset speedo panels. Padded dash tray liner. Pair of door panels. Pair of rear quarter panels. Pair of rear pocket liners. Pair of wheel arch covers. Pair of rear compartment panels. All the small/long panels to fit around the rear windows and doors. **Please note: These are special order items due to having multiple options, for assistance, further information or to place an order please contact our Sales team.**

Trim kit, RHD, black	CTK9441110 . . .	£695.50
Trim kit, RHD, autumn leaf	CTK9441130 . . .	£695.50
Trim kit, RHD, beige	CTK9441133 . . .	£695.50

Complete kit RHD MkIV

This kit includes all the interior panels to re-trim you MkIV Mini Clubman Estate. In 1976, Mini trim was standardised and all models, including the Saloon, Estates and Clubman models shared the same weld design on the door panels reminiscent of the MGB. Complete with: Pair of offset speedo panels. Padded dash tray liner. Pair of door panels. Pair of rear quarter panels. Pair of rear pocket liners. Pair of wheel arch covers. Pair of rear compartment panels. All the small/long panels to fit around the rear windows and doors. **Please note: These are special order items due to having multiple options, for assistance, further information or to place an order please contact our Sales team.**

Trim kit, LHD, black	CTK9441210 . . .	£695.50
Trim kit, LHD, autumn leaf	CTK9441230 . . .	£695.50
Trim kit, LHD, beige	CTK9441233 . . .	£695.50

TKP9116453



DASHBOARD TRAY LINERS AND COVERING MATERIAL

Dashboard tray liner - all models (1959-00)

The vast majority of Minis built worldwide would have originally been fitted with a dash tray liner. The dash liners are among the simplest items of trim to fit into a Mini. Cut to a standard patterned shape, the lie in the dash being held in by the back lip of the dash rail, and then at the rear by the speedo panels. Produced by laminating vinyl onto a dense, high quality foam.

- Liner, dash tray, black TKP9116410 . . . £39.00
- Liner, dash tray, cream crackle TKP9116839 . . . £39.00
- Liner, dash tray, grey fleck TKP9116865 . . . £39.00
- Liner, dash tray, blue grey TKP9116472 . . . £39.00
- Liner, dash tray, porcelain green TKP9116451 . . . £39.00
- Liner, dash tray, autumn leaf TKP9116430 . . . £39.00
- Liner, dash tray, tartan red TKP9116423 . . . £39.00
- Liner, dash tray, dove grey TKP9116461 . . . £39.00
- Liner, dash tray, maroon TKP9116421 . . . £39.00
- Liner, dash tray, white TKP9116492 . . . £39.00
- Liner, dash tray, beige TKP9116433 . . . £39.00
- Liner, dash tray, biscuit TKP9116431 . . . £39.00
- Liner, dash tray, gold brocade TKP9116453 . . . £93.80



Cooper style dashboard covering material

This length of leather cloth is sufficient to cover the internal A posts, dash top rail, and dash lower rail on any Mini with a centre speedometer, lacking the moulding introduced on the Clubman. These areas were always originally covered on the original Coopers, otherwise on standard cars, they were normally visible as bare painted areas of the body shell. These are difficult areas to trim because of their shape. It is recommended that the front screen and dash trim is removed from the car and liberal amount of contact adhesive is used. If you do not feel confident with this, it may be appropriate to find an experienced body shop or trimming specialist to do it for you.

- Material, leather cloth, autumn leaf TKP923730 . . . £14.90
- Material, leather cloth, biscuit TKP923731 . . . £25.70
- Material, leather cloth, black TKP923710 . . . £14.90
- Material, leather cloth, Cherokee red TKP923720 . . . £14.90
- Material, leather cloth, dove grey TKP923761 . . . £14.90
- Material, leather cloth, maroon TKP923721 . . . £14.90
- Material, leather cloth, navy TKP923770 . . . £14.90
- Material, leather cloth, porcelain green TKP923751 . . . £14.90
- Material, leather cloth, tartan red TKP923723 . . . £14.90

Dash tray liner - all models (1959-00) - 1290 grain

The vast majority of Minis built worldwide would have originally been fitted with a dash tray liner. The dash liners are among the simplest items of trim to fit into a Mini, cut to a standard patterned shape, the lie in the dash being held in by the back lip of the dash rail, and then at the rear by the speedo panels. Produced by laminating vinyl onto high density, high quality foam, these panels used the distinctive '1290' grain material, which is believed to have only been originally in the MkIII period, but can be fitted to any vehicle.

- Liner, dash tray, black TKP933410 . . £41.20
- Liner, dash tray, porcelain green TKP933451 . . £36.40
- Liner, dash tray, autumn leaf TKP933430 . . £36.40
- Liner, dash tray, tartan red TKP933423 . . £36.40
- Liner, dash tray, navy TKP933470 . . £36.40
- Liner, dash tray, beige TKP933433 . . £36.40



DOOR FILLET PANELS

These panels hold the interior door panel in place against the external door skin by bearing against the internal door frame. A pair of fillet panels will fit one door, one at the front of the pocket, and another at the rear, so two pairs will be required to re-trim both doors. It is recommended that these are fitted in conjunction with new matching door panels wherever possible, as the original items are very easily damaged when trying to remove them from the doors. Whilst originally Mini Van and Pickups were fitted with non-vinyl covered interior panels, these are easily transferable to vinyl covered trim for those wishing to upgrade the look of the interior.

MkI-II Saloon & Traveller front door (1959-70)

- Fillet panels, black TKP9116610 . £20.50
- Fillet panels, maroon TKP9116621 . £20.50
- Fillet panels, tartan red TKP9116623 . £20.50
- Fillet panels, autumn leaf TKP9116630 . £20.50
- Fillet panels, biscuit TKP9116631 . £20.50
- Fillet panels, beige TKP9116633 . £20.50
- Fillet panels, porcelain green TKP9116651 . £20.50
- Fillet panels, dove grey TKP9116661 . £20.50
- Fillet panels, grey fleck TKP9116665 . £20.50
- Fillet panels, navy TKP9116670 . £20.50
- Fillet panels, blue grey TKP9116672 . £20.50

Van & Pickup

- Fillet panels, black TKP936610 . £20.50



DOOR PANELS

MkI-II saloon, Cooper, Traveller, Van & Pickup (1962-69)

These panels are as originally fitted to all UK built MkI and MkII Mini Saloons, Coopers and Travellers, but these were also used on the early Innocenti models before trim production was moved to Italy. The 8 horizontal line design is made with a high frequency welding machine as they were at the time of the Minis production. Some original colours used in the Innocenti production are no longer available. Supplied as a pair.

Door panel, fluted, black	TKP9116510	.. £90.00
Door panel, fluted, grey fleck.	TKP9116565	.. £90.00
Door panel, fluted, blue grey	TKP9116572	.. £90.00
Door panel, fluted, porcelain green	TKP9116551	.. £90.00
Door panel, fluted, autumn leaf.	TKP9116530	.. £90.00
Door panel, fluted, tartan red	TKP9116523	.. £90.00
Door panel, fluted, navy	TKP9116570	.. £90.00
Door panel, fluted, dove grey.	TKP9116561	.. £90.00
Door panel, fluted, white.	TKP9116592	.. £90.00
Door panel, fluted, beige	TKP9116533	.. £90.00
Door panel, fluted, biscuit	TKP9116531	.. £90.00
Door panel, fluted, gold brocade	TKP9116553	.. £185.90



MkIII Saloon & Cooper (1970-76)

The MkIII Mini saw the introduction of winding windows, so the door panels changed to include the hole for the winder and lock mechanism. Visually the panels also used a new weld pattern design which has been recreated. Supplied as a pair.

Door panel, welded, vinyl, black	TKP933510	.. £77.30
Door panel, welded, vinyl, porcelain green	TKP933551	.. £80.00
Door panel, welded, vinyl, autumn leaf.	TKP933530	.. £80.00
Door panel, welded, vinyl, tartan red.	TKP933523	.. £80.00
Door panel, welded, vinyl, navy.	TKP933570	.. £77.30
Door panel, welded, vinyl, dove grey.	TKP933561	.. £80.00
Door panel, welded, vinyl, white	TKP933592	.. £80.00
Door panel, welded, vinyl, biscuit	TKP933531	.. £77.30



MkIII-VI Saloon Monte Carlo style (1970-96)

This Monte Carlo range offer the classic MkI style to fit the later models. These door panels have the locking and winder mechanism holes required for the later Minis and can be combined with the Monte Carlo seat cover range to offer a brand new look to your Mini. This will fit all Minis between 1970 and 1996 with manual winding windows. Supplied as a pair.

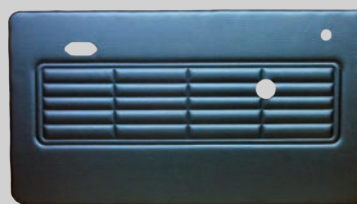
Door panel, black.	TKP9318510	.. £80.00
Door panel, grey fleck	TKP9318565	.. £94.90
Door panel, porcelain green.	TKP9318551	.. £80.00
Door panel, autumn leaf	TKP9318530	.. £80.00
Door panel, tartan red.	TKP9318523	.. £80.00
Door panel, navy	TKP9318570	.. £80.00
Door panel, dove grey	TKP9318561	.. £80.00
Door panel, white	TKP9318592	.. £80.00
Door panel, beige.	TKP9318533	.. £80.00
Door panel, biscuit	TKP9318531	.. £80.00



MkII-III Clubman 1275GT (1969-76)

This design of door panel was only used on the 1275 GT Mini models from 1969 to 1976. The centre insert section is made from basketweave vinyl material to match the basketweave centres used on the 1275 GT seat covers. Supplied as a pair.

Door panel, welded, basketweave, black	TKP9414510	.. £80.00
Door panel, welded, basketweave, red	TKP9414523	.. £80.00
Door panel, welded, basketweave, navy	TKP9414570	.. £80.00
Door panel, welded, basketweave, beige	TKP9414533	.. £80.00



MkIII Clubman (1969-76)

The Mini Clubman was introduced alongside the standard MkIII Mini Saloons to update the Mini concept and with it came its very own, distinctive design. Created on a high frequency welding machine, this 'grid' style design was exclusive to the MkIII Clubman models, used on both the Saloon and Estates. Supplied as a pair.

Door panel, welded, grid style, black.	TKP9313510	.. £80.00
Door panel, welded, grid style, green.	TKP9313551	.. £80.00
Door panel, welded, grid style, autumn leaf	TKP9313530	.. £80.00
Door panel, welded, grid style, red	TKP9313523	.. £80.00
Door panel, welded, grid style, navy	TKP9313570	.. £80.00
Door panel, welded, grid style, beige.	TKP9313533	.. £80.00
Door panel, welded, grid style, biscuit.	TKP9313531	.. £80.00



MkI-IV Pickup & Van

Originally Mini Van and Pickups were fitted with an uncovered door panel. Available in black only, these can be easily primed and painted in a variety of colours to suit your style or match the interior of your vehicle. Whilst originally all Mini Vans and Pickups were fitted with non-vinyl covered interior panels, these are easily transferable to vinyl covered trim for those looking to upgrade the look of their interior a little. Supplied as a pair.

Door panel, painted, black	TKP936510	.. £47.70
--------------------------------------	-----------	-----------



MkIV Saloon, Estate & Clubman (1976-96)

In 1976, Mini trim was standardised and all models, including the Saloon, Estate and Clubman models shared the same welded design on the door panels that is reminiscent of the MGB. Special edition models, including the Mini Special 1100, Mini HL, and MkIV 1275 GT's had a vinyl door pocket fitted to the bottom of the door panel. Supplied as a pair.

Door panel, welded, vinyl, black	TKP9413510 . . .	£80.00
Door panel, welded, vinyl, porcelain green	TKP9413551 . . .	£80.00
Door panel, welded, vinyl, autumn leaf	TKP9413530 . . .	£80.00
Door panel, welded, vinyl, tartan red	TKP9413523 . . .	£80.00
Door panel, welded, vinyl, navy	TKP9413570 . . .	£80.00
Door panel, welded, vinyl, dove grey	TKP9413561 . . .	£80.00
Door panel, welded, vinyl, beige	TKP9413533 . . .	£80.00

MkI Traveller (1960-67)

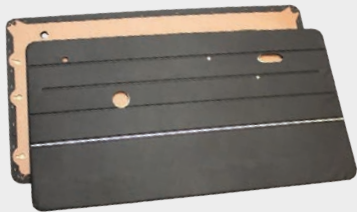
Early Minis were made by both Austin and Morris and while the cars were mechanically identical, they used different interior trim. The early Minis built before 1962 had a wide variety of interior trim, if you are unsure of your requirements, please contact our sales team. These panels are completely plain without any weld lines and were used on the Morris Mini from 1959 onwards and throughout the Austin production, but it is believed to have been grey fleck only. Supplied as a pair.

Door panel, plain, black	TKP915510 . . .	£90.00
Door panel, plain, grey fleck	TKP915565 . . .	£90.00
Door panel, plain, blue grey	TKP915572 . . .	£90.00
Door panel, plain, porcelain green	TKP915551 . . .	£90.00
Door panel, plain, tartan red	TKP915523 . . .	£90.00

MkVI Cooper - black lightning (1990-95)

This design of door panel was used exclusively on the Mini Cooper range from 1990 to 1995. The top of the panel is covered with the black lightning cloth material, with the bottom in black vinyl, separated by a red plastic piping. These Mini door panels should be fitted by sliding the top edge along the interior door slot and then pressing the sides and bottom into place to fit with the plastic door panels clips. Supplied as a pair.

Door panel, lightning cloth, black/red	TKP9621511 . .	£80.30
--	----------------	--------

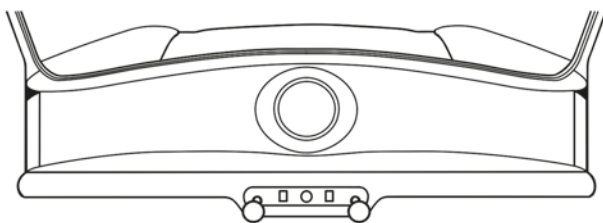


MkIV-VII all models (1980 on)

This style of door panel was fitted to all Minis built from the early 1980s until the end of production. The horizontal lines and single line of plastic trim is added using a high frequency welding machine. Originally there were a number of cloth variations of this design, but these are no longer available and therefore, we can only offer a vinyl and plastic trim combination. Supplied as a pair.

Door panel, vinyl, black/chrome piping	TKP9720510 . .	£80.30
Door panel, British racing green/chrome piping	TKP9519550 . .	£80.30
Door panel, vinyl, blue grey/chrome piping	TKP9720572 . .	£80.30
Door panel, porcelain green/chrome piping	TKP9720551 . .	£80.30
Door panel, tartan red/chrome piping	TKP9720523 . .	£80.30
Door panel, vinyl, navy/chrome piping	TKP9720570 . .	£80.30
Door panel, dove grey/chrome piping	TKP9720561 . .	£80.30
Door panel, beige/chrome piping	TKP9720533 . .	£80.30
Door panel, biscuit/chrome piping	TKP9519531 . .	£80.30





SINGLE ROUND SPEEDO

Early MkI models (1959-62)

These panels are designed to fit the early MkI models fitted with the round central single instrument speedo binnacle. They can be quite difficult to fit around the binnacle as they are curved into position and held in place by the material flap behind the draught excluder and the plastic binnacle itself. Supplied as a pair.

Speedo panels, black	TKP95151210	£43.00
Speedo panels, cream crackle	TKP9151239	£43.00
Speedo panels, grey fleck	TKP9151265	£43.00
Speedo panels, blue grey	TKP9151272	£43.00
Speedo panels, porcelain green	TKP9151251	£43.00
Speedo panels, tartan red	TKP9151223	£43.00
Speedo panels, navy	TKP9151270	£43.00
Speedo panels, dove grey	TKP9151261	£43.00

MkII Saloon, Cooper, Traveller, Van & Pickup (1962-69)

These panels are designed to fit models fitted with the round central speedo binnacle as standard. They can be quite difficult to fit as they are curved into position and held in place by the material flap behind the draught excluder and the plastic binnacle itself. Supplied as a pair.

Speedo panels, black	TKP91161210	£36.40
Speedo panels, grey fleck	TKP91161265	£36.40
Speedo panels, blue grey	TKP91161272	£36.40
Speedo panels, porcelain green	TKP91161251	£36.40
Speedo panels, autumn leaf	TKP91161230	£36.40
Speedo panels, tartan red	TKP91161223	£36.40
Speedo panels, navy	TKP91161270	£36.40
Speedo panels, dove grey	TKP91161261	£36.40
Speedo panels, white	TKP91161292	£36.40
Speedo panels, beige	TKP91161233	£36.40
Speedo panels, biscuit	TKP91161231	£36.40

MkIII Saloon, Cooper -1290 grain

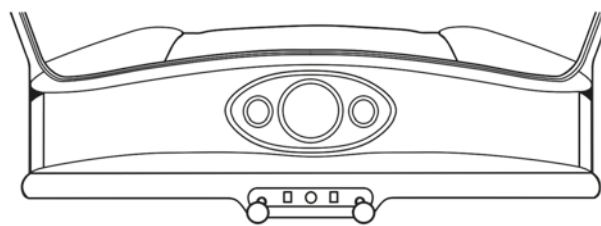
These panels are designed to fit models fitted with the central round speedo binnacle fitted as standard. These panels use the distinctive '1290' grain material. They can be quite difficult to fit around the binnacle as they are curved into position and held in place by the material flap behind the draught excluder and the plastic binnacle itself. Supplied as a pair.

Speedo panels, black	TKP9331210	£36.40
Speedo panels, autumn leaf	TKP9331230	£36.40
Speedo panels, navy	TKP9331270	£36.40
Speedo panels, beige	TKP9331233	£36.40
Speedo panels, biscuit	TKP9331231	£36.40

Van & Pickup

Originally Mini Van and Pickups were fitted with an uncovered speedo panel. These are suitable for all models using the round, single instrument speedo binnacle. Available in black only, these can be easily primed and painted to your preference or to match the interior colour of your vehicle. Whilst originally all Mini Vans and Pickups were fitted with non vinyl covered interior panels, these are easily transferable to vinyl covered trim for those looking to upgrade the look of their interior a little. Supplied as a pair.

Speedo panels, black	TKP9361210	£36.10
----------------------	------------	--------



OVAL SPEEDO

MkI Saloon, Cooper, Traveller, Van & Pickup (1962-67)

These panels are designed to fit models fitted with the central, three instrument speedo binnacle fitted as standard. They can be tricky to fit as they are curved into position and held in place by the material flap behind the draught excluder and the plastic binnacle itself. Supplied as a pair.

Speedo panels, black	TKP91101210	£36.10
Speedo panels, grey fleck	TKP91101265	£41.00
Speedo panels, blue grey	TKP91101272	£41.00
Speedo panels, porcelain green	TKP91101251	£41.00
Speedo panels, autumn leaf	TKP91101230	£41.00
Speedo panels, tartan red	TKP91101223	£41.00
Speedo panels, navy	TKP91101270	£41.00
Speedo panels, dove grey	TKP91101261	£41.00
Speedo panels, beige	TKP91101233	£41.00
Speedo panels, biscuit	TKP91101231	£41.00
Speedo panels, gold brocade	TKP91101253	£93.80

MkII Saloon, Cooper & Traveller (1967-69)

These panels are designed to fit models fitted with the central three instrument speedo binnacle fitted as standard. They can be quite difficult to fit around the binnacle as they are curved into position and held in place by the material flap behind the draught excluder and the plastic binnacle itself. Supplied as a pair.

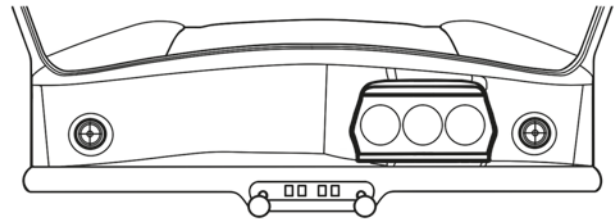
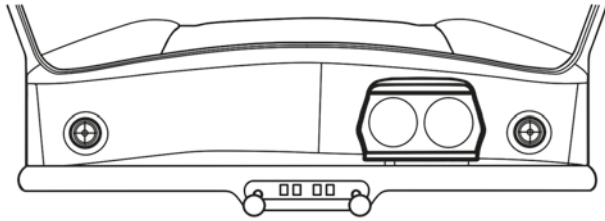
Speedo panels, black	TKP91121210	£36.40
Speedo panels, grey fleck	TKP91121265	£36.40
Speedo panels, porcelain green	TKP92101251	£36.40
Speedo panels, tartan red	TKP92101223	£36.40
Speedo panels, dove grey	TKP92101261	£36.40
Speedo panels, biscuit	TKP91121231	£36.40

MkIII Saloon, Cooper -1290 grain

These panels are designed to fit models fitted with the central three instrument speedo binnacle fitted as standard. These panels use the distinctive '1290' grain material. They can be quite difficult to fit around the binnacle as they are curved into position and held in place by the material flap behind the draught excluder and the plastic binnacle itself. Supplied as a pair.

Speedo panels, black	TKP93312410	£36.10
Speedo panels, porcelain green	TKP9331251	£36.40
Speedo panels, autumn leaf	TKP93312430	£36.40
Speedo panels, tartan red	TKP9331223	£36.10
Speedo panels, navy	TKP93312470	£36.10
Speedo panels, dove grey	TKP9331261	£36.10
Speedo panels, beige	TKP93312433	£36.10
Speedo panels, biscuit	TKP93312431	£36.10





OFFSET SPEEDO, TWIN & THREE GAUGES

MkI-VII Saloon, Clubman all models

When the Clubman models were introduced, one of the most notable changes was the introduction of an offset speedo and instrument binnacle. The majority of cars at the time had twin clock, but the 1275 GT benefited from three instruments in a slightly larger, single cluster. The latter option is a popular upgrade that later became the standard fitting on the Later cars. This kit will fit both model. There are perforations in the back of the board which can be pushed out, should the eye-balls vents be present either side of the dash. Will fit RHD models only. Supplied as a pair.

- Speedo panels, RHD, black TKP95341210 . . £56.70
- Speedo panels, RHD, porcelain green TKP9531251 . . £56.40
- Speedo panels, RHD, autumn leaf. TKP95341230 . . £56.40
- Speedo panels, RHD, tartan red TKP95341223 . . £56.40
- Speedo panels, RHD, navy TKP95341270 . . £56.40
- Speedo panels, RHD, dove grey. TKP95341261 . . £56.40
- Speedo panels, RHD, white. TKP9531292 . . £56.40
- Speedo panels, RHD, beige TKP95341233 . . £56.40
- Speedo panels, RHD, biscuit TKP95341231 . . £56.40
- Speedo panels, LHD, black TKP95351210 . . £59.60
- Speedo panels, LHD, autumn leaf. TKP95351230 . . £56.40
- Speedo panels, LHD, tartan red. TKP95351223 . . £56.40
- Speedo panels, LHD, navy. TKP95351270 . . £56.40
- Speedo panels, LHD, dove grey. TKP95351261 . . £56.40
- Speedo panels, LHD, beige TKP95351233 . . £56.40
- Speedo panels, LHD, biscuit TKP95351231 . . £56.40



DOOR CHECK STRAPS - ALL MODELS

Dashboard tray liner - all models (1959-00)

An ingenious solution to the modern bracket that stops the door from opening too far, these straps are made from vinyl with a strong nylon fabric sewn inside. They attach to the front of the door and the rear edge of the A panel, about level with the top of the storage bins. The metal plates used to fix these in place, must be retained along with the screws. Simply punch 4 holes in the strap and then insert the screws through your plates to fit.

- Check strap, autumn leaf. TKF9216330 . . £16.00
- Check strap, beige TKF9216333 . . £16.00
- Check strap, biscuit TKF9216331 . . £16.00
- Check strap, black TKF9216310 . . £16.00
- Check strap, blue grey TKF9216372 . . £16.00
- Check strap, British racing green. TKF9216350 . . £16.00
- Check strap, dove grey. TKF9216361 . . £16.00
- Check strap, grey fleck. TKF9216365 . . £16.00
- Check strap, magnolia TKF9216336 . . £16.00
- Check strap, maroon TKF9216321 . . £16.00
- Check strap, navy. TKF9216370 . . £16.00
- Check strap, porcelain green TKF9216351 . . £16.00
- Check strap, tartan red TKF9216323 . . £14.50
- Check strap, white TKF9216392 . . £16.00
- Check strap, gold brocade TKF9216353 . . £16.20



REAR PARCEL SHELVES

Saloon - vinyl (1959-96)

This design of the rear parcel shelf was used throughout the Innocenti Mini, however all cars after the MkIII onwards were trimmed in stag grain material rather than the Mini grain used on the UK models. The early MkII and MkII Innocenti vehicles used the same Mini grain trimmed panels as the UK production as detailed here.

- Parcel shelf, black TKP9131010 . . £43.40
- Parcel shelf, grey fleck TKP9131065 . . £47.50
- Parcel shelf, blue grey TKP9131072 . . £47.50
- Parcel shelf, porcelain green. TKP9131051 . . £47.50
- Parcel shelf, autumn leaf TKP9131030 . . £47.50
- Parcel shelf, tartan red TKP9131023 . . £43.40
- Parcel shelf, dove grey TKP9131061 . . £47.50
- Parcel shelf, white TKP9131092 . . £47.50
- Parcel shelf, beige. TKP9131033 . . £47.50
- Parcel shelf, biscuit TKP9131031 . . £47.50
- Parcel shelf, gold brocade. TKP9131053 . . £93.80

Saloon - vinyl - 1290 grain (1959-96)

This design of parcel shelf was used from the Minis first production all the way up to 1996, where afterwards, the rear seatbelts were located in this area meaning the shelf cannot fit across the full width of the car.

- Parcel shelf, blue TKP9331073 . . £40.70
- Parcel shelf, cream crackle TKP9331039 . . £41.20
- Parcel shelf, autumn leaf TKP9331030 . . £40.70
- Parcel shelf, navy TKP9331070 . . £41.20
- Parcel shelf, white TKP9331092 . . £40.70
- Parcel shelf, beige. TKP9331033 . . £41.20

Saloon - carpeted (1996 on)

With the introduction of rear seat belts where the mounting on the parcel shelf was located, a new shelf had to be designed. The ends were squared off, allowing the automatic mechanism to be fitted. Also supplied are two pieces of carpet which lie below the C post to hide the bare metal bodywork. This is an original specification part.

- Parcel shelf, black TKP9720310 . . £58.80
- Parcel shelf, blue grey TKP9720372 . . £58.80
- Parcel shelf, porcelain green. TKP9720351 . . £58.80
- Parcel shelf, autumn leaf TKP9720330 . . £58.80
- Parcel shelf, dove grey TKP9720361 . . £58.80
- Parcel shelf, biscuit TKP9720331 . . £58.80



REAR QUARTER TRIM PANELS

Saloon MkI-II (1959-69)

These panels are as originally fitted to all UK built MkI and MkII Mini Saloons and Coopers. The 8 horizontal lines are created with a high frequency welding machine as they were originally produced. Supplied as a pair.

- Trim panels, blackTKP9131110 . . . **£90.00**
- Trim panels, grey fleckTKP9131165 . . . **£90.00**
- Trim panels, blue greyTKP9131172 . . . **£90.00**
- Trim panels, porcelain greenTKP9131151 . . . **£90.00**
- Trim panels, autumn leafTKP9131130 . . . **£90.00**
- Trim panels, tartan redTKP9131123 . . . **£90.00**
- Trim panels, navyTKP9131170 . . . **£90.00**
- Trim panels, dove greyTKP9131161 . . . **£90.00**
- Trim panels, beigeTKP9131133 . . . **£90.00**
- Trim panels, biscuitTKP9131131 . . . **£90.00**
- Trim panels, gold brocadeTKP9131153 . . . **£187.50**



Saloon MkIII (1970-73)

Visually the MkIII panels used a new weld pattern design which has been recreated. These rear quarter panels will only fit vehicle up to 1973 before the ash tray in the rear pocket was removed. This changes the shape of both the rear quarter panel and the rear pocket liner. Supplied as a pair.

- Trim panels, blackTKP93221110 . . . **£77.30**
- Trim panels, porcelain greenTKP93221151 . . . **£80.00**
- Trim panels, autumn leafTKP93221130 . . . **£80.00**
- Trim panels, tartan redTKP93221123 . . . **£80.00**
- Trim panels, navyTKP93221170 . . . **£77.30**
- Trim panels, dove greyTKP93221161 . . . **£80.00**
- Trim panels, whiteTKP9331192 . . . **£77.30**
- Trim panels, biscuitTKP93221131 . . . **£77.30**



Clubman Saloon (1970-73)

This design was used on Clubman Saloons from 1970-73 to change the look of the interior trim. Created on a high frequency welding matching, this 'grid' style design was exclusive to the MkIII Clubman models, these panels are suitable for vehicles built up until the body change in 1973 which removed the body mounted ash tray in the rear pocket. Supplied as a pair.

- Trim panels, blackTKP94221110 . . . **£80.00**
- Trim panels, beigeTKP94221133 . . . **£80.00**



Clubman Saloon (1973 On)

This design was used on Clubman Saloons from 1973 onwards to change the look of the interior trim. Created on a high frequency welding machine. This 'grid' style design was exclusive to the MkIII Clubman models, these panels are suitable for vehicles built after the body change in 1973 without the body mounted ash tray in the rear pocket. Supplied as a pair.

- Trim panels, blackTKP94231110 . . . **£80.00**
- Trim panels, autumn leafTKP94231130 . . . **£80.00**
- Trim panels, navyTKP94231170 . . . **£80.00**
- Trim panels, beigeTKP94231133 . . . **£80.00**
- Trim panels, biscuitTKP94131131 . . . **£81.25**



Saloon (1973-76)

The MkIII panels used a new weld pattern design which has been recreated. These rear quarter panels will only fit vehicles after 1973 when the body mounted ash tray in the rear pocket was removed. This changes the shape of both the rear quarter panel and the rear pocket liner. Supplied as a pair.

- Trim panels, blackTKP9331110 . . . **£80.00**
- Trim panels, porcelain greenTKP9331151 . . . **£80.00**
- Trim panels, autumn leafTKP9331130 . . . **£80.00**
- Trim panels, tartan redTKP9331123 . . . **£80.00**
- Trim panels, navyTKP9331170 . . . **£80.00**
- Trim panels, dove greyTKP9331161 . . . **£80.00**
- Trim panels, biscuitTKP9331131 . . . **£80.00**



Saloon & Clubman (1976-80)

A new design of rear quarter panel was introduced in 1976 for all Mini Saloons, 1257 GT's and Clubman models. British Leyland were, at this time, trying to save money, so some of the colours were also used on MG's and Triumphs and the actual design is almost identical to MGB panels of this time. Supplied as a pair.

- Trim panels, blackTKP94131110 . . . £80.00
- Trim panels, porcelain greenTKP94131151 . . . £80.00
- Trim panels, autumn leaf.TKP94131130 . . . £80.00
- Trim panels, tartan redTKP94131123 . . . £80.00
- Trim panels, navyTKP94131170 . . . £80.00
- Trim panels, dove greyTKP94131161 . . . £80.00
- Trim panels, beigeTKP94131133 . . . £80.00



Saloon - Monte Carlo style (1973 On)

The Monte Carlo range offers the classic MkI style to fit the later models. These rear quarter panels are suitable for all vehicles built after 1973 without the body mounted ash tray in the rear pocket and can be combined with the Monte Carlo seat cover range to offer a brand new look to the interior of your Mini. Supplied as a pair.

- Trim panels, Monte Carlo style, black.TKP9418210 . . . £80.00
- Trim panels, Monte Carlo style, grey fleck . . .TKP9418265 . . . £80.00
- Trim panels, Monte Carlo style, porc. green . .TKP9418251 . . . £80.00
- Trim panels, Monte Carlo style, autumn leaf .TKP9418230 . . . £80.00
- Trim panels, Monte Carlo style, tartan red . .TKP9418223 . . . £80.00
- Trim panels, Monte Carlo style, navyTKP9418270 . . . £80.00
- Trim panels, Monte Carlo style, dove grey . .TKP9418261 . . . £80.00
- Trim panels, Monte Carlo style, whiteTKP9418292 . . . £80.00
- Trim panels, Monte Carlo style, beige.TKP9418233 . . . £80.00
- Trim panels, Monte Carlo style, biscuit. . . .TKP9418231 . . . £80.00



Clubman 1275GT (1973 on)

This design of rear quarter panel was only used on the Mini 1275 GT model. It has a perforated vinyl centre section which matches the seat covers. This is used for 1275 GT's built after 1973 without the body mounted ash tray in the rear pockets. Supplied as a pair.

- Trim panels, blackTKP94141110 . . . £80.00
- Trim panels, tartan redTKP94141123 . . . £80.00
- Trim panels, navyTKP94141170 . . . £80.00
- Trim panels, beigeTKP94141133 . . . £80.00



Saloon - Reintroduction style (1986-96)

This design of panel was the style used from the reintroduction of the Mini in the 1980's right up to 1996 before the seat belt mechanism was mounted in the rear pocket. It has three horizontal weld lines across the panel. There were a number of special editions in this era that unfortunately, are not able to be replicated. Supplied as a pair.

- Trim panels, blackTKP97201110 . . . £80.00
- Trim panels, cream crackleTKP95191139 . . . £80.00
- Trim panels, British racing green.TKP95191150 . . . £80.00
- Trim panels, porcelain greenTKP94181151 . . . £80.00
- Trim panels, tartan redTKP97201123 . . . £80.00
- Trim panels, dove greyTKP97201161 . . . £80.00
- Trim panels, biscuit.TKP97201131 . . . £80.00

Cooper - Lightning interior (1990-95)

This design of rear quarter panel was used exclusively on the Mini Cooper range from 1990 to 1995. The top of the panel is covered with the black lightning cloth material, with the bottom in black vinyl separated by a red plastic piping. The rear quarter panels slip into the rear pocket area and is then held in place by the metal lip just under the rear quarter light. Supplied as a pair.

- Trim panels, lightning cloth, black/redTKP96211111 . . . £90.20



REAR POCKET LINERS

Saloon (1959-73)

These rear pocket liners are suitable for all Saloon models up to 1973 with the front mounted ash tray in the rear pocket. The board is creased to help aid folding into the pocket and the cut-out for the ashtray is only pressed into the fibreboard backing. Supplied as a pair.

Liners, black.....	TKP913910....	£41.20
Liners, grey fleck.....	TKP913965....	£44.00
Liners, blue grey.....	TKP913972....	£44.00
Liners, porcelain green.....	TKP913951....	£44.00
Liners, tartan red.....	TKP913923....	£44.00
Liners, navy.....	TKP913970....	£44.00
Liners, dove grey.....	TKP913961....	£44.00
Liners, maroon.....	TKP913921....	£44.00
Liners, white.....	TKP913992....	£44.00
Liners, beige.....	TKP913933....	£44.00
Liners, biscuit.....	TKP913931....	£44.00
Liners, gold brocade.....	TKP913953....	£75.00

Saloon (1970-73)

These rear pocket liners are suitable for Saloon models up to 1973 without the provisions for the front mounted ashtray in the rear pocket, before the shape was changed completely in 1973 and had the much shorter pocket liner. The board is creased to make it easier to fold and fit into place.

Supplied as a pair.

Liners, black.....	TKP9317910....	£38.50
Liners, porcelain green.....	TKP9317951....	£38.50
Liners, autumn leaf.....	TKP9317930....	£38.50
Liners, tartan red.....	TKP9317923....	£38.50
Liners, navy.....	TKP9317970....	£38.50
Liners, dove grey.....	TKP9317961....	£38.50
Liners, beige.....	TKP9317933....	£38.50
Liners - biscuit.....	TKP9317931....	£38.50

Saloon (1973 on)

These liners just slip into the rear pockets and the fibreboard is creased accordingly so that these can be bent and pushed into place. These are suitable for all vehicles after 1973 without the body mounted ash tray in the pockets. Supplied as a pair.

Liners, black.....	TKP933910....	£38.50
Liners, grey fleck.....	TKP933965....	£38.50
Liners, porcelain green.....	TKP933951....	£38.50
Liners, autumn leaf.....	TKP933930....	£38.50
Liners, tartan red.....	TKP933923....	£38.50
Liners, navy.....	TKP933970....	£38.50
Liners, dove grey.....	TKP933961....	£38.50
Liners, white.....	TKP933992....	£38.50
Liners, beige.....	TKP933933....	£38.50
Liners, biscuit.....	TKP933931....	£38.50



REAR WHEEL ARCH COVERS

Saloon (1960-70 & 1973 on)

These covers are sewn to fit over the rear wheel arch by the rear seats. It is recommended that a thin piece of foam or felt is glued to the wheel arch first, and then the cover is glued over the top to soften the profile. MkIII Minis were still fitted with rear wheel arch covers, however, the grain of the material was the rougher 1290 grain. Some early Minis do not require wheel arch covers as the rear seat was designed in such a way that the side of the cover trimmed this area in fleck material.

Wheel arch cover, black.....	TKP9131310....	£32.50
Wheel arch cover, grey fleck.....	TKP9131365....	£34.00
Wheel arch cover, British racing green.....	TKP9131350....	£34.00
Wheel arch cover, blue grey.....	TKP9131372....	£34.00
Wheel arch cover, porcelain green.....	TKP9131351....	£34.00
Wheel arch cover, tartan red.....	TKP9131323....	£32.50
Wheel arch cover, navy.....	TKP9131370....	£34.00
Wheel arch cover, dove grey.....	TKP9131361....	£34.00
Wheel arch cover, maroon.....	TKP9131321....	£34.00
Wheel arch cover, white.....	TKP9131392....	£34.00
Wheel arch cover, biscuit.....	TKP9131331....	£34.00
Wheel arch cover, gold brocade.....	TKP9131353....	£54.70

Saloon MkIII - 1290 grain (1970-73)

These covers are sewn to fit over the rear wheel arch by the rear seats. We suggest a thin piece of felt is glued to the wheel arch first and then the cover is adhered over the top to help soften the profile.

Wheel arch cover, black.....	TKP9331310....	£30.90
Wheel arch cover, autumn leaf.....	TKP9331330....	£27.00
Wheel arch cover, navy.....	TKP9331370....	£27.00
Wheel arch cover, beige.....	TKP9331333....	£27.00



C POST FINISHERS

MkI Saloon & Cooper (1959-67)

Specially shaped to fill the pillars on the MkI Minis. As with the originals, these need to be bent into position so they hold their shape partially with their own tension, with the loose flap at the bottom being glued down onto the shelf underneath the rear parcel shelf. Included is a spare strip of material to cover the exposed bodywork between the rear window rubber and the parcel shelf. Supplied as a pair.

- C post, black TKP913110 £54.20
- C post, cream crackle TKP913139 £54.20
- C post, dove grey TKP913161 £54.20
- C post, white TKP913192 £54.20

MkII Saloon & Cooper (1967-69)

These C post panels are specially shaped to fill the pillars on the MkII Mini Saloon and Cooper models, which had a larger rear window than the earlier models. Included in the kit is a strip of spare material to cover the exposed body between the rear window rubber and the parcel shelf. As with the originals, these need to be bent into position so that they partially hold their shape under their own tension, with the loose flap of material at the bottom being glued down onto the shelf underneath the rear parcel shelf. Supplied as a pair.

- C post, black TKP923110 £54.20
- C post, cream crackle TKP923139 £54.20
- C post, dove grey TKP923161 £54.20
- C post, white TKP923192 £54.20

MkII-MKVI (1970-96)

These C post panels are specially shaped to fill the pillars on the MkIII Mini onwards until the introduction of the seatbelt mountings into this area. Included in the kit is a strip of spare material to cover the exposed body between the rear window rubber and the parcel shelf. As with the originals, these need to be bent into position so that they hold their shape partly under their own tensions, with the loose flap or material at the bottom being glued down onto the shelf underneath the rear parcel shelf. Supplied as a pair.

- C post, black TKP933110 £54.20
- C post, cream crackle TKP933139 £54.20
- C post, dove grey TKP933161 £54.20
- C post, white TKP933192 £54.20

MkVII (1996-00)

These C post panels are specially shaped to fill the rear pillars on the late 1996 Mini onwards with the introduction of the seatbelt mountings into this area. Included in the kit is a strip of spare material to cover the exposed body between the rear window seal and the parcel shelf. As with the originals, these need to be bent into position so that they hold their shape partly under their own tension, with the loose flap of material at the bottom being glued down onto the shelf underneath the rear parcel shelf. Supplied as a pair.

- C post, black TKP9720110 £54.20
- C post, cream crackle TKP9720139 £54.20
- C post, dove grey TKP9720161 £54.20
- C post, white TKP9720192 £54.20





HEADLINING KITS

MkI Saloon (1959-62)

Minis of this period had a two piece headlining with the canopy glued and stapled to them. Cooper and Riley Elf models originally would have had the cream crackle material, whereas standard saloons were available in light grey, white and black. Included in the kit is a pair of C post panels and a piece of material to go under the rear window. This kit does not include the frame as these are becoming increasingly difficult to source, so please do not scrap your original when removing from your car.

Headlining kit, black	HLK913010. . .	£124.50
Headlining kit, cream crackle	HLK913039. . .	£124.50
Headlining kit, dove grey.	HLK913061. . .	£124.50
Headlining kit, white.	HLK913092. . .	£124.50

MkII Saloon (1962-69)

Minis of this period had a two piece headlining frame with the canopy glued and stapled to them. Cooper models would have originally had the Cream Crackle Material, whereas standard Saloons would have been fitted with light grey, white, or black. Included in the kit is a pair of C post panels and a piece of material to go under the rear window. This kit does not include the frame and they are being increasing difficult to find, so please ensure the original is stored safely during restoration. The main canopy is the same as a MkI, but due to the introduction of a slightly larger rear window, the C post panels are wider.

Headlining kit, black	HLK923010. . .	£124.50
Headlining kit, cream crackle	HLK923039. . .	£124.50
Headlining kit, dove grey.	HLK923061. . .	£124.50
Headlining kit, white.	HLK923092. . .	£124.50

MkIII-VI Saloon (1970-96)

This is a one piece headlining canopy which is held in place by six metal stays (not included). These stays can be slipped through the hoops already sewn into the canopy. This kit also includes the rear C post panels and a strip of material that goes under the rear window. This kit will fit all Saloon models up to 1996 where the rear seatbelt mountings were moved into the C post area.

Headlining kit, black	HLK939010. . .	£124.50
Headlining kit, cream crackle	HLK939039. . .	£124.50
Headlining kit, dove grey.	HLK939061. . .	£124.50
Headlining kit, white.	HLK939092. . .	£124.50

MPI grey cloth (1996 on)

This is a one piece headlining canopy which is held in place by six metal stays (not included). These stays are slipped through hoops already sewn into the canopy. This kit also includes the rear C post panels suitable for vehicles that have the rear seatbelt mount in the C post position and a strip of material that goes under the rear window.

Headlining kit, dove grey.	HLK971061. . .	£124.50
------------------------------------	----------------	---------

Van

Mini Vans had a one piece headlining frame with the canopy glued and stapled to it. Originally Cream Crackle was only used on the early models and the light grey was used during the 1970's. The frames are no longer available so it is essential that they're stored safely to prevent damage during restoration. Please note: contrary to popular belief, the frames for Mini Vans and Pickups are not the same and one will not fit the other.

Headlining kit, black	HLK936010. . .	£87.00
Headlining kit, cream crackle	HLK936039. . .	£87.00
Headlining kit, dove grey.	HLK936061. . .	£87.00
Headlining kit, white.	HLK936092. . .	£87.00

MkII Traveller

Mini Travellers of this period had a two piece headlining frame with a canopy glued and stapled to them. Early cars often used the light grey material, but after 1962, all cars had the cream crackle material used predominantly on the MkI Coopers. These frames are no longer available, so make sure you keep the original safe during restoration. This model was also used on early Clubman models before this changed into a one piece headlining.

Headlining kit, 2 piece, black	HLK915010. . .	£142.30
Headlining kit, 2 piece, cream crackle	HLK915039. . .	£142.30
Headlining kit, 2 piece, dove grey	HLK915061. . .	£142.30
Headlining kit, 2 piece, white	HLK915092. . .	£142.30

Clubman Estate

The Clubman Estate used a one piece headlining canopy which is held in place by six stays. These stays are slipped through hoops already sewn into the canopy. For best fitting it is recommended this job is done in a warm environment and for particularly stubborn creases, especially near the corners, the careful use of a hairdryer will help soften the material.

Headlining kit, 1 piece, black	HLK984010. . .	£142.30
Headlining kit, 1 piece, cream crackle	HLK984039. . .	£142.30
Headlining kit, 1 piece, dove grey	HLK984061. . .	£142.30
Headlining kit, 1 piece, white	HLK984092. . .	£142.30

Pickup

The Mini Pickup had a one piece headlining frame with the canopy glued and stapled to it. Originally, cream crackle was used on the early models and the light grey was used during the 1970's. The frames are no longer available so it is essential that they are stored safely during restoration. Please note: contrary to popular belief, the frames for the Mini Van and Pickup are not the same, and one will not fit the other.

Headlining kit, black	HLK937010. . .	£81.30
Headlining kit, cream crackle	HLK937039. . .	£81.30
Headlining kit, dove grey.	HLK937061. . .	£81.30
Headlining kit, white.	HLK937092. . .	£81.30



HEADLINING RAILS

These metal stays are inserted into the headlining canopy for headlinings built after 1970. The stays are supplied colour coded for identification.

Rail kit set, 6 pieces	HLK9390SK	£92.70
Rail number 1, red	EEB100060	£15.30
Rail number 2 & 3, white	EEB100070	£15.30
Rail number 4, black	EEB100080	£15.30
Rail number 5, blue	EEB100090	£15.30
Rail number 6, yellow	EEB100100	£15.30



HEADLINING UNDERFELT

This underfelt kit is the perfect companion when fitting a new headlining. Made from lightweight felt and cut to size, this fits into the cavity of the roof before fitting your new headlining and provides increased sound insulation and protection from moisture. Felt will need to be glued into the roof cavity as fitted from the factory.

Underfelt, headlining	HLK9390F	£27.00
-----------------------	----------	--------



SUN VISORS

Early type centre mount sun visor - single

The first style of sun visor fitted to the Mini was this centrally mounted version. Finished in the same colour as the headlining and fitted with a chrome bracket (TKF9915B). Please note: Bracket sold separately.

Sun visor, black	TKF991510	£38.50
Sun visor, cream crackle	TKF991539	£38.50
Sun visor, dove grey	TKF991561	£38.50
Sun visor, white	TKF991592	£38.50
Sun visor, biscuit	TKF991531	£38.50

Early type centre mount sun visor bracket - single

Mounting bracket to fit the early, centrally mounted sun visor.

Bracket, sun visor	TKF9915B	£47.70
--------------------	----------	--------

Swivel type sun visor pad without mirror (1964-65) RHD

This sun visor was introduced in 1964 and only lasted until late 1965 when a new design was introduced, this style of sun visor was also used in the Innocenti Mini. This sun visor comes with the mirror as used on the passenger side of these vehicles. Please note: Does not come with chrome plated mounting screw.

Sun visor pad, plain, black	TKF9111610	£48.00
Sun visor pad, plain, cream crackle	TKF9111639	£52.10
Sun visor pad, plain, dove grey	TKF9111661	£48.00
Sun visor pad, plain, white	TKF9111692	£53.00

Swivel type sun visor pad without mirror (1964-65) LHD

This sun visor was introduced in 1964 and only lasted until late 1965 when a new design was introduced, this style of sun visor was also used in the Innocenti Mini. This sun visor comes with the mirror as used on the passenger side of these vehicles. Please note: Suitable for LHD vehicles only. Does not come with chrome plated mounting screw.

Sun visor pad, plain, black	TKF9111510	£57.80
Sun visor pad, plain, cream crackle	TKF9111539	£57.80
Sun visor pad, plain, dove grey	TKF9111561	£55.00
Sun visor pad, plain, white	TKF9111592	£55.00

Sun visor pad without mirror (1966-00) - single

This design of sun visor pad was first introduced to MkI Minis in 1966 and was used throughout production. These are fitted with plastic brackets that slot into the ends of each pad (supplied separately). Please note: These pads are supplied individually as the passenger pad was usually fitted with a mirror.

Sun visor pad, plain, black	TKF9119610	£43.30
Sun visor pad, plain, cream crackle	TKF9119639	£43.30
Sun visor pad, plain, dove grey	TKF9119661	£39.00
Sun visor pad, plain, white	TKF9119692	£43.30

Sun visor pad with mirror (1966-00) - single

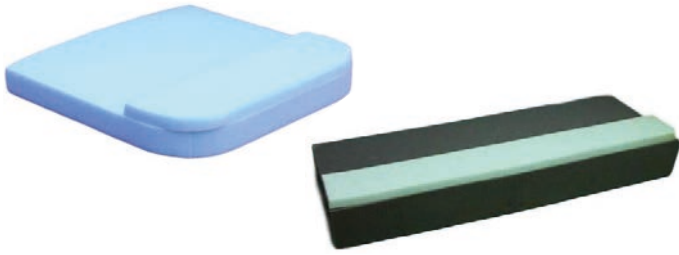
This design of sun visor pad was first introduced to MkI Minis in 1966 and was used until the end of production. These are fitted with plastic brackets that slot into the ends of each pad (supplied separately). Please note: These are supplied individually as the driver's side pad was usually plain without the mirror.

Sun visor pad with mirror, black	TKF9119710	£42.20
Sun visor pad with mirror, cream crackle	TKF9119739	£42.20
Sun visor pad with mirror, dove grey	TKF9119761	£42.20
Sun visor pad with mirror, white	TKF9119792	£42.20

Sun visor brackets & screws (1966 on) - two pairs

These brackets are used to fit the sun visors from 1966 onwards and push into either end of the visor. The bracket holds the sun visor in place and self-tapping screws are supplied to attach them to the body. This is a complete car set to fit both the drivers and passenger side sun visors.

Brackets, car set	TKF91197FK	£27.00
-------------------	------------	--------



MODEL SPECIFIC FOAMS & ACCESSORIES

MkI front & rear base foam (1959-67)

These foams were used on the majority of MkI front seats.

Seat foam, front, base SFP659 £35.20
Seat foam, rear, base SFP671 £81.90

MkI Cooper Saloon rear base & squab foam (1959-93)

Made from modern foam, this completely flat base foam was predominantly used on the MkI Coopers, however, this flat style foam was also used on the reintroduced Coopers of the 90's. It is advised to fit new foams with new seat covers and the covers are often glued to the foam, causing damage upon removal, however, due to the rear seats being used less than the fronts, it is down to your discretion whether to do this or not.

Seat foam, base SFP668 £76.50
Seat foam, squab SFP669 £36.50

MkI Traveller rear squab & base foam (1960-67)

Seat foam, squab SFP674 £65.80
Seat foam, base SFP679 £81.90

MkII Traveller & Clubman Estate rear squab & base foam

Seat foam, squab SFP675 £81.90
Seat foam, base SFP676 £89.80

1275GT & Early Clubman front squab & base kit

The early 1275 GT and Clubman seats had a much more distinctive shaped padding than the earlier seats that used flat base foams and horsehair squab padding. This created a much more luxurious feel to the seats with more support around the bolsters. Please note: This kit is for on base and squab only, for both seats, 2 kits will be required.

Seat foam kit, one seat SFP3016 £77.30
-------------------------	---------------	--------------

Saloon MkII-MkIII & Clubman rear squab & base foam

Made from modern day specification foam, these foams are made to the original specification.

Seat foam, squab SFP678 £43.30
Seat foam, base SFP677 £84.50

MkI-MkIII squab cover insert tab kit (fixed seats only)

These simple metal tabs were used when fitting new front seat squab covers to most of the earlier fixed Mini seats as an aid to simplifying installation. The ends, or 'bottoms', of the squabs skirts have a pocket sewn in behind the facing material, the metal tab slides into this, fills the pocket and is then bent over the frame hooking the covers in place when the skirt ends are pulled down and the covers are fitted.

Inserts, one seat set SFK725 £8.30
-----------------------	--------------	-------------



ALL OTHER MODELS FOAMS & ACCESSORIES

Front seat squab & base foam (1967-80)

These foams were used on the majority of MkI front seats.

Seat foam, squab SFP3012 £35.20
Seat foam, base SFP3010 £35.20

Front seat base diaphragms

Rubber diaphragm was originally used on all models until about 1973 when it was superseded by a wire and cord replacement diaphragm. However, this diaphragm can be used on all standard Mini seats built up until 1993.

Rubber diaphragm, base, (1960-93) SFK705 £43.30
Wire diaphragm, base, (1973-93) SFK711 £41.20
Rubber/woven diaphragm, base, (1993-00) SFK719 £41.20

Front seat squab diaphragms

This wire squab diaphragm fits all Minis built between 1960 & 1993, before twin post headrests were introduced. The original construction was a one piece moulded rubber diaphragm which is no longer available, this wire version is a direct replacement and is supplied with all the springs required for fitting.

Diaphragm, squab, (1960-1993) SFK708 £41.20
Diaphragm, squab, non reclining, (1960-1993) SFK715 £41.20

Front Seat base & squab padding kit (1985-92)

These foams were used exclusively on Minis built between 1985 and 1992 before the introduction of moulded seat foams. The foam is far more shaped than earlier models and provides a lot more support and comfort. Please note: This is foam for one seat only, for both seats, 2 kits will be required.

Seat foam, base SFP3018 £36.10
Seat foam, squab SFP3020 £43.30

Front seat base wrap foam (1960-93)

This simple item, when fitted to the base frame of your seat, under the base seat cover skirt will soften the look of the frame and protect the cover from damage.

Foam wrap, base SFP660 £6.20
-----------------	--------------	-------------



FRONT SEAT COVERS

MkI seat cover welded base & squab

The MkI Mini used a variety of trim designs before designs and production methods became standardised. Later models used the welded faces on the seats with a narrower flute design as production became more automated. The flutes on the cover don't run all the way to the front of the skirt and have the distinctive roll under the knees. Please note: This is for one cover only, if you wish to re-trim both seats, two covers will be required.

- Seat cover, base, welded, black SCA91311110 . . £99.50
- Seat cover, base, welded, porcelain green SCA91311151 . . £99.50
- Seat cover, base, welded, tartan red SCA91311123 . . £99.50
- Seat cover, base, welded, dove grey SCA91311161 . . £99.50
- Seat cover, squab, welded, black SCA91312110 . £113.50
- Seat cover, squab, welded, porcelain green SCA91312151 . £113.50
- Seat cover, squab, welded, tartan red SCA91312123 . £113.50
- Seat cover, squab, welded, dove grey SCA91312161 . £113.50



MkI seat cover base early stitched type

The MkI Mini used a variety of trim designs before designs and production methods became standardised. The stitched flutes on the cover don't run all the way to the front of the skirt and have a distinctive roll under the knees. The flutes on the sewn covers are wider than the later welded style. Please note: This is for one cover only, if you wish to re-trim both seats, two covers will be required.

- Seat cover, base, stitched, black SCA911111210 . £99.50
- Seat cover, base, stitched, blue grey SCA911111272 . £99.50
- Seat cover, base, stitched, porcelain green SCA911111251 . £99.50
- Seat cover, base, stitched, autumn leaf SCA911111230 . £99.50
- Seat cover, base, stitched, tartan red SCA911111223 . £99.50
- Seat cover, base, stitched, dove grey SCA911111261 . £99.50
- Seat cover, base, stitched, biscuit SCA911111231 . £99.50



MkI seat cover base & squab stitched type

The MkI Mini used a variety of trim designs before designs and production methods became standardised. The stitched flutes on the cover don't run all the way to the front of the skirt and have a distinctive roll under the knees. The flutes on the sewn covers are wider than the later welded style. Please note: This is for one cover only, if you wish to re-trim both seats, two covers will be required.

- Seat cover, base, stitched, black SCA91311210 . . . £99.50
- Seat cover, base, stitched, porcelain green SCA91311251 . . . £99.50
- Seat cover, base, stitched, tartan red SCA91311223 . . . £99.50
- Seat cover, base, stitched, dove grey SCA91311261 . . . £99.50
- Seat cover, base, stitched, biscuit SCA91311231 . . . £99.50
- Seat cover, squab, stitched, black SCA911012210 . . £113.50
- Seat cover, squab, stitched, porcelain green SCA911012251 . . £113.50
- Seat cover, squab, stitched, tartan red SCA911012223 . . £113.50
- Seat cover, squab, stitched, dove grey SCA911012261 . . £113.50
- Seat cover, squab, stitched, biscuit SCA911012231 . . £113.50



MkI Cooper seat cover base & squab

The MkI Cooper used a very distinctive two tone design and saw the release of the hugely popular 'Brocade' materials which have been successfully re-manufactured. There were a range of colour combinations available. Please note: These covers are sold individually, if you are recovering both front seats, two of these will be required.

- Seat cover, base, black SCA9121110 . . . £99.50
- Seat cover, base, tartan red SCA9121123 . . . £99.50
- Seat cover, base, white SCA9121192 . . . £99.50
- Seat cover, base, biscuit SCA9121131 . . . £99.50
- Seat cover, base, red/gold brocade SCA9121153 . . . £108.20
- Seat cover, squab, black SCA9121210 . . . £113.50
- Seat cover, squab, tartan red SCA9121223 . . . £113.50
- Seat cover, squab, white SCA9121292 . . . £113.50
- Seat cover, squab, biscuit SCA9121231 . . . £113.50
- Seat cover, squab, gold brocade SCA9121253 . . . £129.30

FRONT SEAT COVERS (CONTINUED)

Van & Pickup welded type

This style of cover was unique to the commercial vehicles and used a simulated stitch weld design. Unlike the MkI Saloons, the flute widths did not change between the stitched and welded versions and the only difference can be seen when looking closely at the flute lines. Please note: This is for one cover only, if you wish to re-trim both seats, two covers will be required.

Seat cover, base, welded, black	SCA90611110 . .	£99.50
Seat cover, base, welded, autumn leaf	SCA90611130 . .	£99.50
Seat cover, base, welded, tartan red	SCA90611123 . .	£99.50
Seat cover, base, welded, biscuit	SCA90611131 . .	£99.50
Seat cover, squab, welded, black	SCA90612110 .	£113.50
Seat cover, squab, welded, autumn leaf	SCA90612130 .	£113.50
Seat cover, squab, welded, tartan red	SCA90612123 .	£113.50
Seat cover, squab, welded, biscuit	SCA90612131 .	£113.50



MkII Cooper factory recliner base & squab seat cover kit

This seat cover kit is to replace the original factory reclining seat covers that were an optional extra in the production of the MkII Coopers, which were only produced in black. The kit includes the squab and base covers and the squab and base foams for one seat only. Please note: These covers are for the original factory recliners only and will not fit other reclining seats.

Seat cover kit with foams, black	SCA9231310 . .	£327.80
Seat cover kit with foams, tartan red	SCA9231323 . .	£327.80
Seat cover kit with foams, navy	SCA9231370 . .	£327.80

MkII Cooper seat cover base & squab

Whilst the seat frames remained the same from the MkI to MkII Mini, the seat covers and foams were redesigned for a simpler look with a better shaped foam for more comfort. The seat design is made using a simulated stitch design to the face that carries all the way to the bottom and the top of the seat. Please note: This cover is for one seat only, if you wish to recover both front seats, two of this will be required.

Seat cover, base, black	SCA92121110 . .	£99.50
Seat cover, base, porcelain green	SCA92121151 . .	£99.50
Seat cover, base, autumn leaf	SCA92121130 . .	£99.50
Seat cover, base, tartan red	SCA92121123 . .	£99.50
Seat cover, base, dove grey	SCA92121161 . .	£99.50
Seat cover, base, biscuit	SCA92121131 . .	£99.50
Seat cover, squab, black	SCA92121210 .	£113.50
Seat cover, squab, porcelain green	SCA92121251 .	£113.50
Seat cover, squab, autumn leaf	SCA92121230 .	£113.50
Seat cover, squab, tartan red	SCA92121223 .	£113.50
Seat cover, squab, dove grey	SCA92121261 .	£113.50
Seat cover, squab, biscuit	SCA92121231 .	£113.50

MkIII Mini 850 base & squab seat cover kit

This style of seat cover was originally designed for the MkIII Mini 850 Saloon models, introduced in 1970 as the new base model Mini, underneath the Mini 1000 and Clubman models. The seat faces feature a simple design of pairs of lines formed into the seat faces with a high frequency welding machine. Please note: This kit is for one seat only, if you wish to recover both seats, two will be required.

Seat cover kit, welded, black	SCA9331310 . .	£225.30
Seat cover kit, welded, porcelain green	SCA9331351 . .	£225.30
Seat cover kit, welded, tartan red	SCA9331323 . .	£225.30
Seat cover kit, welded, navy	SCA9331370 . .	£225.30

MkIII seat cover base & squab

This seat cover is different to the Mini 850 base models in that the simulated stitch design runs all the way from the top to the bottom of the seat, the same as MkII models. However, the MkIII Mini began to use the coarser '1290' grain material. This kit is suitable for all vehicles with the fixed front seats (non-reclining). Please note: This is for one base cover only, if you wish to re-trim both seats, two will be required.

Seat cover, base, black	SCA9331110 . .	£94.80
Seat cover, base, tartan red	SCA9331123 . .	£99.50
Seat cover, base, navy	SCA9331170 . .	£99.50
Seat cover, base, biscuit	SCA9331131 . .	£99.50
Seat cover, base, black	SCA9331210 . .	£113.50
Seat cover, squab, tartan red	SCA9331223 . .	£113.50
Seat cover, squab, navy	SCA9331270 . .	£113.50
Seat cover, squab, biscuit	SCA9331231 . .	£113.50

Cooper Lightning front seat cover kit - both seats (1993-95)

All Mini front seats were upgraded in 1993 with new seat frames and foam cushions to give more support and provide extra safety. The side bolsters were made more prominent and the seats reclined and tilted forwards allowing access to the rear seats. On the Mini Coopers, the colour scheme of the previous coopers continued with the main colour in black with lightning cloth centres. A matching rear seat cover kit is also available in the same design. Two complete twin post headrests are included within this kit.

Seat cover kit, black/red	SCA9761311 . .	£553.00
-------------------------------------	----------------	---------

MkIII reclining seat cover base & squab

This seat cover is different to the Mini 850 base models in that the simulated stitch design runs all the way from the top to the bottom of the seat, the same as MkII models. However, the MkIII Mini began to use the coarser '1290' grain material. This kit is suitable for all vehicles with the reclining front seats. Please note: This is for one base cover only, if you wish to re-trim both seats, two will be required.

Seat cover, base, black	SCA93311310 . .	£99.50
Seat cover, base, autumn leaf	SCA93311130 . .	£99.50
Seat cover, base, navy	SCA93311370 . .	£99.50
Seat cover, squab, black	SCA93312310 .	£113.50
Seat cover, squab, autumn leaf	SCA9331230 . .	£113.50
Seat cover, squab, navy	SCA93312370 . .	£113.50





1275GT front seat cover kit

This seat was used on the early 1275 GT cars up to 1973 and was much more padded than the later models. The basketweave perforated material in the centre of the seats differentiated it from the standard Clubman seat covers. Whilst the original foams may be useable, it is recommended that they are changed to help this seat cover kit fit properly.

- Seat cover kit, black SCA94141310 .£400.00
- Seat cover kit, autumn leaf. SCA94141330 .£400.00
- Seat cover kit, navy SCA94141370 .£400.00
- Seat cover kit, beige SCA94141333 .£400.00

Clubman saloon & estate front seat cover

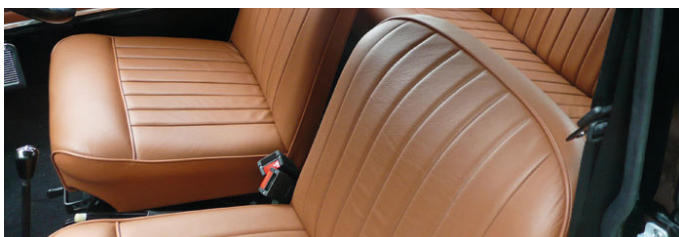
This design was introduced in 1969 firstly on the Clubman models, then later on in the Mini Saloons. On the early seats the welded section was sewn into the face of the seat, whereas on the later model, the welded face is made as one complete sections.

- Seat cover kit, black SCA94131310 .£400.00
- Seat cover kit, autumn leaf. SCA94131330 .£400.00
- Seat cover kit, tartan red SCA94131323 .£400.00
- Seat cover kit, navy SCA94131370 .£400.00
- Seat cover kit, dove grey SCA94131361 .£400.00
- Seat cover kit, beige SCA94131333 .£400.00
- Seat cover kit, biscuit. SCA94131331 .£400.00

Early Clubman saloon & estate front seat cover kit

This design was introduced in 1969 firstly on the Clubman models, then later on Mini Saloons. On the early seats the welded section was sewn into the face of the seat, whereas on the later models, the welded face is made as on complete section. The earlier seats have a larger amount of padding and because of this, it is recommended that new foams are fitted at the same time as new seat covers.

- Seat cover kit, black SCA9441310 .£400.00
- Seat cover kit, autumn leaf. SCA9441330 .£400.00
- Seat cover kit, navy SCA9441370 .£400.00
- Seat cover kit, beige SCA9441333 .£400.00



Mini City Houndstooth front seat cover kit

The Houndstooth cloth used on the Mini City interior is one of the more popular cloths that have been re-manufactured from this era. It was also used on the Triumph Spitfire 1500 seat covers of this period. These seats were non reclining without the provisions for headrests. Supplied as a pair, only one kit per car is required.

- Seat cover kit, Houndstooth, black SCA94413510 .£400.00
- Seat cover kit, Houndstooth, beige SCA94413533 .£400.00

Rover Mini vertical flute front seat cover kit

All Mini front seats were upgrade in 1993 with new seat frames and foams to provide better support and extra safety. The bolsters wide raised to help this. Unfortunately the original cloth materials used in a number of special editions are no longer available, so they have been reproduced in vinyl. Please note: The moulded foams used on these later seats in no longer available. Supplied as a pair, only one kit per car is required.

- Seat cover kit, leather, black. SCL97113610 .£783.30
- Seat cover kit, leather, biscuit SCL9711331 .£783.30



Rover MPI front seat cover kit

The MPI Mini had a silver leather centre which has been unavailable for some time. This leather has now been sourced, which, while not an exact match offers this design to those looking to upgrade their interiors. The MPI seats differ from the other late Rover Mini seats in the fact that the flutes are horizontal as opposed to vertical. They use the same moulded foams as the late Rover Minis which are currently unavailable so original foams will need to be retained. Supplied as a pair, only one kit per car is required.

- Seat cover kit, leather, horizontal flute, black . SCL9711310 .£783.30

1100 special/ HL vinyl & plaid cloth front seat cover kit (1970-80)

This plaid cloth design was typical of 1970 & 80's Minis and was originally used on both the Clubman Saloon (normally the Mini 1100 Special and Mini HL models) and Estate models from 1973 onwards. Supplied as a pair, only one kit per car is required.

- Seat cover kit, blue. SCA94131373 .£400.00
- Seat cover kit, gold/tan SCA941313433 .£400.00



COMPLETE FRONT & REAR SEAT COVER KITS

MkI Cooper front & rear seat cover kit

The MkI Cooper used a very distinctive two tone design and saw the release of the hugely popular ‘Brocade’ materials which have been successfully re-manufactured. There were a range of colour combinations available. This kit includes the front and rear seat squabs and bases. It is recommended you check the condition of your seat foams and diaphragms before purchasing a seat cover kit. Seat foams and diaphragms sold separately.

- Seat cover kit, black SCA9123310 . .£741.90
- Seat cover kit, red/gold SC3010MGB . .£686.00

MkII saloon front & rear seat cover kit

Whilst the seat frames remained the same from the MkI to MkII Mini, the seat covers and foams were redesigned for a simpler look with more shape and better comfort. The seat design is made using a simulated stitch design to the face that carries down to the bottom of the seat on both front and rear covers. This kit includes covers for both front bases and squabs, as well as covers for the rear base and squab. It is suggested that you check the condition of your seat foams and diaphragms at this point and replacing if necessary. Foams and diaphragms not included.

- Seat cover kit, black SCA9233310 . .£741.90
- Seat cover kit, tartan red SCA9233323 . .£741.90
- Seat cover kit, dove grey SCA9233361 . .£741.90



Saloon front & rear seat cover kit (1993 on) - vinyl

All Mini front seats were upgraded in 1993 with new seat frames and foam cushions for extra comfort and added safety. The bolsters were raised to give more support as well as reclining and a tilting mechanism to allow access to the rear seats. Unfortunately the original cloth materials used in a number of special editions are no longer available so they have had to be reproduced in vinyl. Please note: The moulded foams are currently unavailable.

- Seat cover kit with headrests, black SCA9633310£875.00
- Seat cover kit with headrests, tartan red SCA9633323£875.00
- Seat cover kit with headrests, biscuit SCA9633331£875.00

Saloon front & rear seat cover kit (1993 on) - Leather

All Mini front seats were upgraded in 1993 with new seat frames and foam cushions for extra comfort and added safety. The bolsters were raised to give more support as well as reclining and a tilting mechanism to allow access to the rear seats. Unfortunately the original cloth materials used in a number of special editions are no longer available so they have had to be reproduced in vinyl. Please note: The moulded foams are currently unavailable.

- Seat cover kit with headrests, black SCL9633310 . .£1,446.00
- Seat cover kit with headrests, tartan red SCL9633323 . .£1,446.00
- Seat cover kit with headrests, biscuit SCL9633331 . .£1,446.00





REAR SEAT COVER KITS

MkI saloon rear seat cover kit - welded type

The MkI Mini used a variety of trim designs before design and production methods became standardised. Later MkI models used the welded faces on the seats with a narrower flute design as production became more automated to match the welded front seat covers.

Seat cover kit, welded, black	SCA91223110 . £400.50
Seat cover kit, welded, porcelain green	SCA91223151 . £400.50
Seat cover kit, welded, tartan red	SCA91223123 . £400.50
Seat cover kit, welded, dove grey	SCA91223161 . £400.50

MkI saloon rear seat cover kit - stitched type

The MkI Mini used a variety of trim designs before design and production methods became standardised. This seat cover kit has fluted stitch lines to match the front seat covers. Later models used the welded faces on the seats with a narrower flute design as production became more automated.

Seat cover kit, stitched, black	SCA91223210 . £400.50
Seat cover kit, stitched, porcelain green	SCA91223251 . £400.50
Seat cover kit, stitched, tartan red	SCA91223223 . £400.50
Seat cover kit, stitched, dove grey	SCA91223261 . £400.50



MkII Cooper rear seat cover kit

The MkII Cooper used a very distinctive two tone design and saw the release of the hugely popular 'Brocade' materials which have been successfully re-manufactured. There were a range of colour combinations available.

Seat cover kit, black	SCA9122310 . £400.50
Seat cover kit, British racing green	SCA9122350 . £400.50
Seat cover kit, tartan red	SCA9122323 . £400.50
Seat cover kit, white	SCA9122392 . £400.50
Seat cover kit, biscuit	SCA9122331 . £400.50

MkIII Mini 850 rear seat cover kit

This style of seat cover was originally designed for the MkIII Mini 850 Saloon models, introduced in 1970 as the new base model Mini, underneath the Mini 1000 and Clubman models. The seat faces feature a simple design of pairs of lines formed into the seat faces with a high frequency welding machine.

Seat cover kit, welded, black	SCA93323110 . £450.00
Seat cover kit, welded, tartan red	SCA93323123 . £450.00

MkII Cooper rear seat cover kit

Whilst the seat frames remained the same from the MkI to MkII Mini, the seat covers and foams were redesigned for a simpler look with a better shaped foam for more comfort. The seat design is made using a simulated stitch design to the face that carries all the way to the bottom and the top of the seat.

Seat cover kit, black	SCA9232310 . £400.50
Seat cover kit, tartan red	SCA9232323 . £400.50
Seat cover kit, dove grey	SCA9232361 . £400.50
Seat cover kit, biscuit	SCA9232331 . £400.50

MkI Traveller rear seat cover kit - welded type

The MkI Mini used a variety of trim designs before design and production methods became standardised. Later models used the welded faces on the seats with a narrower flute design as production became more automated.

Seat cover kit, welded, black	SCA91523110 . £400.50
Seat cover kit, welded, porcelain green	SCA91523151 . £400.50
Seat cover kit, welded, tartan red	SCA91523123 . £400.50
Seat cover kit, welded, dove grey	SCA91523161 . £400.50

MkI Traveller rear seat cover kit - stitched type

The MkI Mini used a variety of trim designs before design and production methods became standardised. Earlier models had larger fluting than that of the later models.

Seat cover kit, stitched, black	SCA91523210 . £400.50
Seat cover kit, stitched, blue grey	SCA91523272 . £400.50
Seat cover kit, stitched, porcelain green	SCA91523251 . £400.50
Seat cover kit, stitched, tartan red	SCA91523223 . £400.50
Seat cover kit, stitched, dove grey	SCA91523261 . £400.50
Seat cover kit, stitched, biscuit	SCA91523231 . £400.50

MkII Traveller rear seat cover kit

The MkII seat design is made using a simulated stitch design to the face, made in the original way using a high frequency welding machine. Included is a loose piece of material to cover the top of the seat brace on top of the squab.

Seat cover kit, black	SCA9252310 . £400.50
Seat cover kit, porcelain green	SCA9252351 . £400.50
Seat cover kit, tartan red	SCA9252323 . £400.50
Seat cover kit, dove grey	SCA9252361 . £400.50
Seat cover kit, biscuit	SCA9252331 . £400.50

MkIII rear seat cover kit - 1290 Grain

This seat cover is different to the Mini 850 base models in that the simulated stitch design runs all the way from the top to the bottom of the seat, the same as MkII models. However, the MkIII Mini began to use the coarser '1290' grain material. This kit is suitable for all vehicles with the fixed front seats (non-reclining).

Seat cover kit, welded, black	SCA9332310 . £400.00
Seat cover kit, welded, autumn leaf	SCA9332330 . £400.00
Seat cover kit, welded, tartan red	SCA9332323 . £400.00
Seat cover kit, welded, navy	SCA9332370 . £400.00
Seat cover kit, welded, beige	SCA9332333 . £400.50
Seat cover kit, welded, biscuit	SCA9332331 . £400.00



DYNAMAT NOISE & HEAT INSULATION

Two steps to a quieter, cooler, better feeling great car...

Dynamat - to deaden the noise

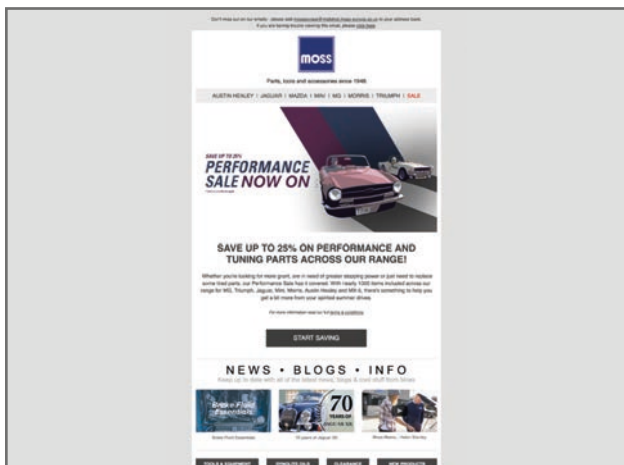
Apply Dynamat to all the accessible interior panels of your car. Dynamat is best for noise reduction with some heat reduction... Start with firewall/bulkheads, gearbox tunnel, front floors, doors, rear floors, roofs, wheel arches, under bonnet, boot lid.

Dynaliner - insulates against heat

Apply Dynaliner over the top of Dynamat to reduce heat soak by up to 70%. Also helps with noise reduction.



See page A51 for more information



STAY INFORMED

Simply the quickest way to be kept up to date with news of our special offers and information on new and relevant products as they become available...

Visit moss-europe.co.uk and subscribe to our Newsletter e-mails.





1275GT rear seat cover kit

This design of seat was used on the 1275 GT and Clubman models from 1969 to 1973, however the 1275 GT exclusively used the basketweave perforated material in the seat faces to match the front seats and panels that also had the basketweave centre.

Seat cover kit, black	SCA9442310	£400.00
Seat cover kit, autumn leaf	SCA9442330	£400.00
Seat cover kit, navy	SCA9442370	£400.00
Seat cover kit, beige	SCA9442333	£400.00

Clubman saloon early & late rear seat cover kit

This rear seat is suitable for both the early and late style of Clubman seats and features the distinctive high frequency welded pattern that was introduced in this period.

Seat cover kit, black	SCA94132310	£400.00
Seat cover kit, autumn leaf	SCA94132330	£400.00
Seat cover kit, navy	SCA94132370	£400.00
Seat cover kit, dove grey	SCA94132361	£400.00
Seat cover kit, beige	SCA94132333	£400.00
Seat cover kit, biscuit	SCA94132331	£400.50

Clubman estate rear seat cover kit

This rear seat is suitable for both the early and the late style of Clubman seats and features the distinctive high frequency welded pattern that was introduced in this period.

Seat cover kit, black	SCA94152310	£400.00
Seat cover kit, autumn leaf	SCA94152330	£400.00
Seat cover kit, tartan red	SCA9442323	£400.00
Seat cover kit, navy	SCA94152370	£400.00
Seat cover kit, dove grey	SCA9442361	£400.00
Seat cover kit, beige	SCA94152333	£400.00
Seat cover kit, biscuit	SCA9442331	£400.00

Saloon 1100 special/ HL vinyl & plaid cloth rear seat cover kit (1970-80)

This plaid cloth design was typical of 1970 & 80's Minis and was originally used on both the Clubman Saloon (normally the Mini 1100 Special and Mini HL models) and Estate models from 1973 onwards.

Seat cover kit, blue	SCA9442373	£400.00
Seat cover kit, gold/tan	SCA94423433	£400.00

Clubman estate vinyl & plaid cloth rear seat cover kit (1970-80)

This plaid cloth design was typical of 1970's & 80's Minis and was originally used on both the Clubman Saloon (normally the Mini 1100 Special and Mini HL models) & Estate models from 1973 onwards. A number of the original cloths used in this period are no longer available, however, the Golden Tan and Blue plaid materials have been re-manufactured to the highest quality.

Seat cover kit, blue/gold	SCA941523473	£400.00
Seat cover kit, beige/gold	SCA941523433	£400.00

Mini City Houndstooth

The Houndstooth cloth used on the Mini City interior is one of the more popular cloths that have been re-manufactured from this era. It was also used on the Triumph Spitfire 1500.

Seat cover kit, black Houndstooth	SCA94423510	£400.00
Seat cover kit, beige Houndstooth	SCA94423533	£400.00

All saloons - Suffolk rear seat cover kit

A complete rear seat cover kit developed to match the appearance of the Suffolk and bucket seat assemblies for the Classic Mini. This seat covering kit is designed to replace your old seat covers using your existing frames and cushions, although it is advised that new foams are purchased due to the chance of deterioration of the old foams and the possibility of the original seat covers being glued to them.

Suffolk seat cover kit, black	SCA9012310	£493.70
Suffolk seat cover kit, cream crackle	SCA9012339	£381.10
Suffolk seat cover kit, cumulus grey	SCA9012360	£493.70
Suffolk seat cover kit, British racing green	SCA9012350	£381.10
Suffolk seat cover kit, porcelain green	SCA9012351	£493.70
Suffolk seat cover kit, autumn leaf	SCA9012330	£493.70
Suffolk seat cover kit, tartan red	SCA9012323	£493.70
Suffolk seat cover kit, navy	SCA9012370	£493.70
Suffolk seat cover kit, powder blue	SCA9012371	£493.70

Rover Mini vertical flute rear seat cover kit

To match the leather seat kit for the late seats which were often produced in a cloth design which is unfortunately no longer available, we also supply this leather rear seat kit with the same vertical flute design. Please note: This kit includes both the base and squab cover, only one kit is required per car.

Seat cover kit, leather, black	SCL97123610	£783.30
Seat cover kit, leather, biscuit	SCL9712331	£783.30

Rover MPI horizontal flute rear seat cover kit

The MPI Mini had a silver leather centre which has been unavailable for some time. This leather has now been sourced, which, while not an exact match offers this design to those looking to upgrade their interiors. The MPI seats differ from the other late Rover Mini seats in the fact that the flutes are horizontal as opposed to vertical. They use the same moulded foams as the late Rover Minis which are currently unavailable so original foams will need to be retained.

Seat cover kit, leather, black	SCL9712310	£783.30
--	----------------------	---------





230-390



230-355



230-388

Fitment: Cars must be negative earth. Units supplied without faceplate or knobs.

RETROSOUND RADIOS

The RetroSound range of radio & MP3 players maintain the original 'twin knob' (DIN-D) style mounting required for many classic cars. Music can be played from external sources such as iPods, USB flash drives & SD cards, all connected out of sight.

San Diego

DAB/DAB+ Tuner (DAB antenna or DAB Antenna Adaptor required), AM/FM Tuner, iPod/iPhone & Android compatible, Bluetooth, x2 rear USB ports & x2 rear Auxiliary inputs. 32,000 colour LCD with built in amp (45 watts peak/25 watts RMS x 4 channels).

RetroSound San Diego, chrome. 230-383. **£330.00**
 RetroSound San Diego, black 230-388. **£330.00**

Hermosa

AM/FM Tuner, iPod/iPhone & Android compatible, x1 rear USB port & x2 rear Auxiliary inputs. Dual colour LCD display (white and green) with built in amp (45 watts peak/24 watts RMS x 4 channels).

RetroSound Hermosa, chrome. 230-390. **£267.00**
 RetroSound Hermosa, black 230-395. **£267.00**

Long Beach

AM/FM Tuner, iPod/iPhone & Android compatible, Bluetooth, x2 rear USB ports & x2 rear Auxiliary inputs. 32,000 colour LCD with built in amp (45 watts peak/25 watts RMS x 4 channels).

RetroSound Long Beach, chrome. 230-381. **£357.00**
 RetroSound Long Beach, black 230-386. **£357.00**

Laguna

Back to the basics with this AM/FM tuner with x1 rear auxiliary input. Adjustable-angle LCD display with built-in amp (40 watts peak/18 watts RMS x 4 channels).

RetroSound Laguna, chrome 230-355. **£172.60**

RetroSound Motor 7 radio

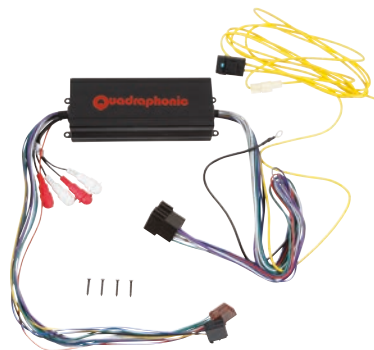
Compatible with iPod/iPhone & Android phones, built-in Bluetooth for hands-free calling and audio streaming, and plays MP3 and WMA files via USB input. Built-in DAB/DAB+ tuner (DAB antenna or DAB Antenna Adaptor required). Improved AM/FM RDS tuner with 30 pre-sets. Inputs: 1 rear-mounted standard USB ports and 2 rear auxiliary inputs. Selectable 32,000 colour LCD with user presets. Built in amp (45 watts peak/25 watts RMS x 4 channels). 3 EQ presets plus user-controlled bass, mid-range, treble, fader, and balance adjustment. Outputs: 4-channel preamp (front, rear).

RetroSound Motor 7, chrome/ivory. 230-396I **£318.00**
 RetroSound Motor 7, chrome/black 230-396B **£294.00**
 RetroSound Motor 7, chrome/chrome. 230-396C **£294.00**

RetroSound DAB antenna adaptor

This adaptor allows you to turn a standard AM/FM antenna into an antenna that will receive both AM/FM stations and Digital Audio Broadcast (DAB/DAB+) stations. It has a DAB antenna output that plugs into the DAB input on the radio, as well as a standard antenna output for AM/FM stations. For use with RetroSound San Diego and Motor 7 units, as well as any aftermarket radio that supports DAB.

RetroSound DAB adaptor 230-389. **£23.80**



RetroSound Quadrophonic amplifier

The RetroSound Quadrophonic is a full-range Class D (digital) power amplifier that plugs directly into any RetroSound radio. Featuring 4 x 45 watts RMS power, Quadrophonic offers exceptional dynamic range and low distortion for the best possible sound reproduction from your RetroSound audio system. Low level RCA inputs also allows Quadrophonic to be used with any aftermarket car stereo system. Quadrophonic is shielded, so it can be mounted behind the dash, next to the radio without the need to worry about electrical interference. Quadrophonic has a built-in high pass/full range crossover, and its small size means you can mount it just about anywhere.

Features:

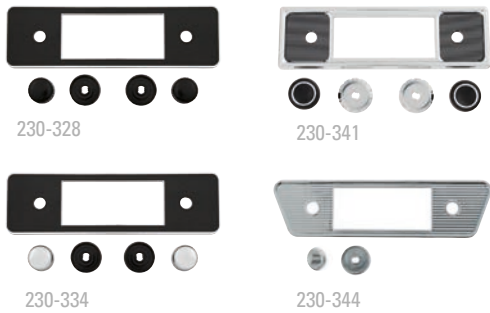
- 4 x 45W RMS power output.
- Full range Class D digital circuitry.
- Ultra-low current draw.
- Advanced protection circuitry.
- Shielded to prevent electrical interference.
- Built-in high pass/full range crossover.
- Direct connection compatibility with all RetroSound radios.
- Compact size. (7 1/4" x 3" x 1 3/4" / 197mm, x 71mm x 44mm).

RetroSound Quadrophonic amplifier. 230-580. **£151.40**



230-396I





Faceplate & knob kits (F&K Kits)

These kits let you finish off your RetroSound radio with the faceplate and knobs that match the original trim of your classic car. Knobs are available on their own as replacements. Please see our website for full range.

F&K kit, chrome faceplate/chrome knobs	230-326	£42.00
F&K kit, black faceplate/black knobs	230-327	£42.00
F&K kit, black/black faceplate/chrome knobs	230-329	£42.00
F&K kit, black/chrome faceplate/black knobs	230-328	£42.00
F&K kit, black/chrome faceplate/chrome knobs	230-333	£42.00
F&K kit, black/chrome faceplate/black/chrome knobs	230-334	£42.00
F&K kit, Becker pinstripe	230-341	£41.00
F&K kit, Blaupunkt, black	230-342	£41.00
F&K kit, Blaupunkt, black/chrome	230-346	£42.00
F&K kit, VW ivory	230-343	£41.00
F&K kit, Ghia, chrome	230-344	£41.00
Knob set only, chrome	230-331	£17.90
Knob set only, black	230-332	£18.00



This hide-away amplified aerial can be mounted hidden away, almost anywhere inside the car. Ideal if you don't want to install a wing or roof aerial to keep your classic original.

RADIO AERIALS

Our range of aerials offers a variety of fitting options from wing to roof mountings. The wing mount aerial features adjustable bases to compensate for slight angles off horizontal. The roof mounted aerial features a removable stainless steel mast with a chrome base plate. Aerial extension cable is also available.

Hide-away amplified aerial	230-555	£25.10
Aerial wing mount, manual	MRA001	£11.10
Aerial wing mount, electric	AJM1112X	£45.00
Aerial roof mount	EEP11Z	£12.90
Extension lead aerial, 3 metre	ZKC533	£15.00



RETROMOD SPEAKERS BY RETROSOUND

The RetroMod range of speakers from RetroSound has been designed to compliment their range of Classic radios and have been manufactured to meet the demands of modern high performance amplifiers.

Dual voice coils (DVC) speakers

This system allows for 2 stereo channels (left & right) to be connected to the same single speaker. This means that originality can be maintained on cars where a single speaker was fitted in the centre of the dash or rear shelf. These speakers are supplied individually without mesh grilles, to fit existing mountings.

DVC, 3 way, no grilles, 6.5" diameter, each	230-505	£60.00
DVC, 3 way, no grilles, 5" x 7", each	230-545	£61.50
DVC, 3 way, no grilles, 6" x 9", each	230-510	NCA

Single voice coils (SVC) speakers

The SVC range of speakers is a standard configuration single channel speaker

for normal installations (left & right mounted speakers, such as doors or dash). These speakers are available in a range of sizes and specifications, see our website.

SVC, 2 way, 40W max, with grilles, 4.5" dia., pair	230-535	£70.00
SVC, 3 way, 60W max, with grilles, 5" x 7", pair	230-540	£75.00
SVC, 3 way, 100W max, with grilles, 6" x 9", pair	230-530	£73.40
SVC, 3 way, 100W max, with grilles, 6" x 9", pair	230-531	£120.00

RetroMod 8" Subwoofer

The compact design and powerful bass response make this ideal for under seat mounting and numerous other in-car applications. The rigid die cast aluminium chassis and powerful Class D amplifier allows this sub to reproduce low frequencies down to 35Hz.

8" Subwoofer with internal amplifier	230-550	£189.00
--	-------------------	---------



WATERPROOF BLANKET

These waterproof blankets bring a touch of comfort to any roadside picnic. Easily folded into a neat parcel, it can be easily stored and carried with its durable handle. They are manufactured from grey acrylic with a foam layer and waterproof PEVA backing. Size 51" x 70".

Waterproof blanket with Moss logo, grey231-370 **£29.60**



SWITCH BEZEL TOOL

The round bezels on most Lucas switches have two slots, and nobody has the special tool - a bezel nut spanner - you need to take them off. The set includes tools for 0.75" diameter and 1" diameter bezel nuts and saves you using screwdrivers and other assorted implements that result in scratched dashboards.

Switch bezel tool 384-960 **£19.60**



PATCHES

Show your allegiance with one, or all of these quality sew-on patches. We also have a selection of iron-on patches available.

- 1 Union flag sew-on patch 229-510 **£2.70**
- 2 British Leyland sew-on patch GAC9960X **£4.90**
- 3 BMC sew-on patch GAC9961X **£4.90**
- 4 Mini iron-on patch, red. GAC6080X **NCA**
- 5 Mini iron-on patch, black GAC6081X **NCA**
- Mini iron-on patch, blue. GAC6082X **NCA**
- Mini iron-on patch, green. GAC6083X **NCA**



KEY FOBS

These traditional leather key fobs look good and keep your keys together.

- 1 Union flag key fob. GAC4042 **£3.80**
- 2 BMC rosette key fob CRSP401 **£3.80**
- 3 Leyland Mini key fob GAC4043 **£3.80**



THERMAL MUGS

These thermal mugs maintain your drinks temperature whether hot or cold. Desk mugs feature a wider design with handle. Travel mugs are designed to suit most in-car cup holders. Both feature a non-slip base and a removable cap.

- Travel mug, Union flag 230-946 **£17.30**
- Desk mug, Union flag 230-947 **£17.30**



PISTON & TYRE T-SHIRTS

Exclusive to Moss and originally designed for our staff, we've had so many customers ask for them that we had to make more. Featuring a 'retro style' piston and tyre design and Moss logo, the t-shirts are made from 100% cotton and are available in three different colours in various sizes.

- Piston & Tyre t-shirt, black, medium GAC44911 . . . **£12.00**
- Piston & Tyre t-shirt, black, large GAC44912 . . . **£12.00**
- Piston & Tyre t-shirt, black, x-large GAC44913 . . . **£12.00**
- Piston & Tyre t-shirt, black, xx-large. GAC44914 . . . **£12.00**
- Piston & Tyre t-shirt, dark red, medium. GAC44921 . . . **£12.00**
- Piston & Tyre t-shirt, dark red, large GAC44922 . . . **£12.00**
- Piston & Tyre t-shirt, dark red, x-large GAC44923 . . . **£12.00**
- Piston & Tyre t-shirt, dark red, xx-large GAC44924 . . . **£12.00**
- Piston & Tyre t-shirt, dark grey, medium GAC44931 . . . **£12.00**
- Piston & Tyre t-shirt, dark grey, large. GAC44932 . . . **£12.00**
- Piston & Tyre t-shirt, dark grey, x-large GAC44933 . . . **£12.00**
- Piston & Tyre t-shirt, dark grey, xx-large GAC44934 . . . **£12.00**



PISTON & TYRE HOODIES

These brand new hoodies are exclusive to Moss. Originally designed for Moss staff, we've had so many customers ask for them we've made another batch. Featuring a 'retro style' piston and tyre design and Moss logo, these hoodies are the perfect addition to your wardrobe for the winter months and crisp morning drives.

- Piston & Tyre hoodie, dark grey, medium GAC54941 . . . **£24.00**
- Piston & Tyre hoodie, dark grey, large GAC54942 . . . **£24.00**
- Piston & Tyre hoodie, dark grey, x-large. GAC54943 . . . **£24.00**
- Piston & Tyre hoodie, dark grey, xx-large. GAC54944 . . . **£24.00**



UNION FLAG

Lightweight polyester with metal grommets on the hoist.

- Union flag, 36" x 60" GAC9939X . . . **£23.90**

BOOKS, MANUALS & DVDS

Tuning SU carburetors

This book looks into the basic design of the SU carburettor. It covers many areas including overhaul, tuning mixtures, jet and needle identifications and SU fuel pumps.

Tuning SU carburetors MGL0070 **£13.50**

SU workshop manual

Factory manual covering both carburetors and fuel pumps.

SU workshop manual GAC1044X . . . **£16.70**

SU needle chart

The chart identifies the correct replacement SU needle when modifications have been carried out to the engine or induction.

SU needle chart ALT9501 **£10.00**

SU parts catalogue ALT9524 **£0.50**

Carburettor manual

This Haynes 'techbook' manual covers SU, Stromberg, Weber and Dellorto carburetors. Giving an insight into the way carburetors operate and how to maintain and tune them, as well as including detailed servicing and overhaul procedures.

Carburettor manual MGL0279 **£28.00**

SU carburettor rebuild DVD

This 2 hour, 40 minute film explains how to rebuild SU carbs.

SU carburettor rebuild DVD . . . 211-036 **£33.50**

Weber Carbs: Tuning Tips & Techniques, By John Passini

This book is the distillation of many years experience of working with Weber carbs. The mysteries of why and how they work and the practicalities of getting the best from them. Also setting-up, fault-finding, maintenance & repair are all covered.

Tuning tips & techniques 213-431 **£11.50**

Lucas fault diagnosis manual

This guide presents a logical sequence of tests that may be carried out on starters, generators, regulators, ignition and lighting systems. Written for technicians, this book can be easily understood by the amateur mechanic.

Lucas fault diagnosis manual . . . GAC1029X. . . . **£4.50**

Classic car bodywork, by Martin Thaddeus

A book written for the home restorer who, until now, lacked the confidence to tackle bodywork. With specially devised techniques which don't rely on workshop plant, this work spans the gap between professional and amateur.

Classic car bodywork MGL0330. . . . **£25.00**

Haynes restoration manual

Restoration manual MGL0265. . . . **£23.00**

Haynes workshop manuals

Workshop manual (1959-69) . . . MGL6219X . . . **£25.00**

Workshop manual (1969-01) . . . MGL6220X . . . **£25.00**

Tuning guide by David Vizard

Tuning BL's "A" series engine . . MGL0063. . . . **£25.00**

Original series book - Mini Cooper, by John Parnell

This book is the definitive guide to one of Britain's best-loved sports car, the 'Original' series books are indispensable for all owners, restorers, buyers and enthusiasts.

Original series book MGL0254. . . . **£35.00**

Rule Britannia, by John Nikas

Rule Britannia - When British Sports Cars Saved A Nation; With authoritative text from John Nikas and his team of dedicated researchers and contributors; historic imagery from archives maintained by marque clubs, manufacturers and museums; and modern portraits artfully captured in a studio setting by Michael Furman, the world's most renowned automotive photographer.

Rule Britannia MGL0360 . **£75.00**

How to restore classic car interiors

The ultimate resource for restoring the interior of your classic car. Produced in close cooperation with the editors of Europe's largest vintage car magazine, OLDTIMER MARKT. Providing easy to follow guidance, helping you make your car interior look as good as new.

How to restore classic car interiors . . MGL0364 . **£25.00**

Gold portfolio for the Mini Cooper (1961-71)

Charting the introduction of the Mini models through contemporary road tests and articles, an essential part of every Mini lover's library. Covers; Austin Seven Cooper, Morris Mini Cooper, Downton, Taurus, Cooper S, Cooper S 1275, Broadspeed Cooper S & Bertone.

Gold portfolio for the Mini Cooper . MGL0320 . **£18.50**

How to restore & improve classic car suspension, steering & wheels

A step-by-step illustrated guide to restoring and improving the suspension, steering and wheels of your classic car, this easy to follow manual is fully illustrated, and packed with useful tips and techniques.

How to restore classic car suspension . MGL0394 . **£25.00**

Haynes workshop manual, classic Mini

Probably the most commonly found workshop manual in any home garage, the Haynes range provides useful information on stripping and rebuilding anything from a master cylinder to a complete differential assembly.

Haynes manual, Classic Mini (1959-69) . MGL6219X. **£25.00**

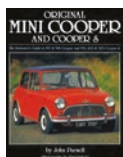
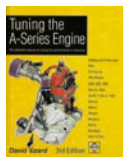
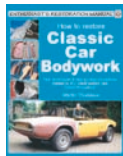
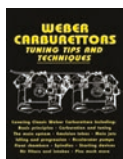
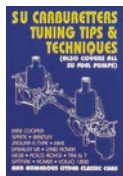
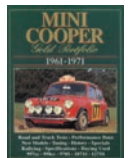
Haynes manual, Classic Mini (1969-01) . MGL6220X. **£25.00**

Original Technical Publications (OTP) USB

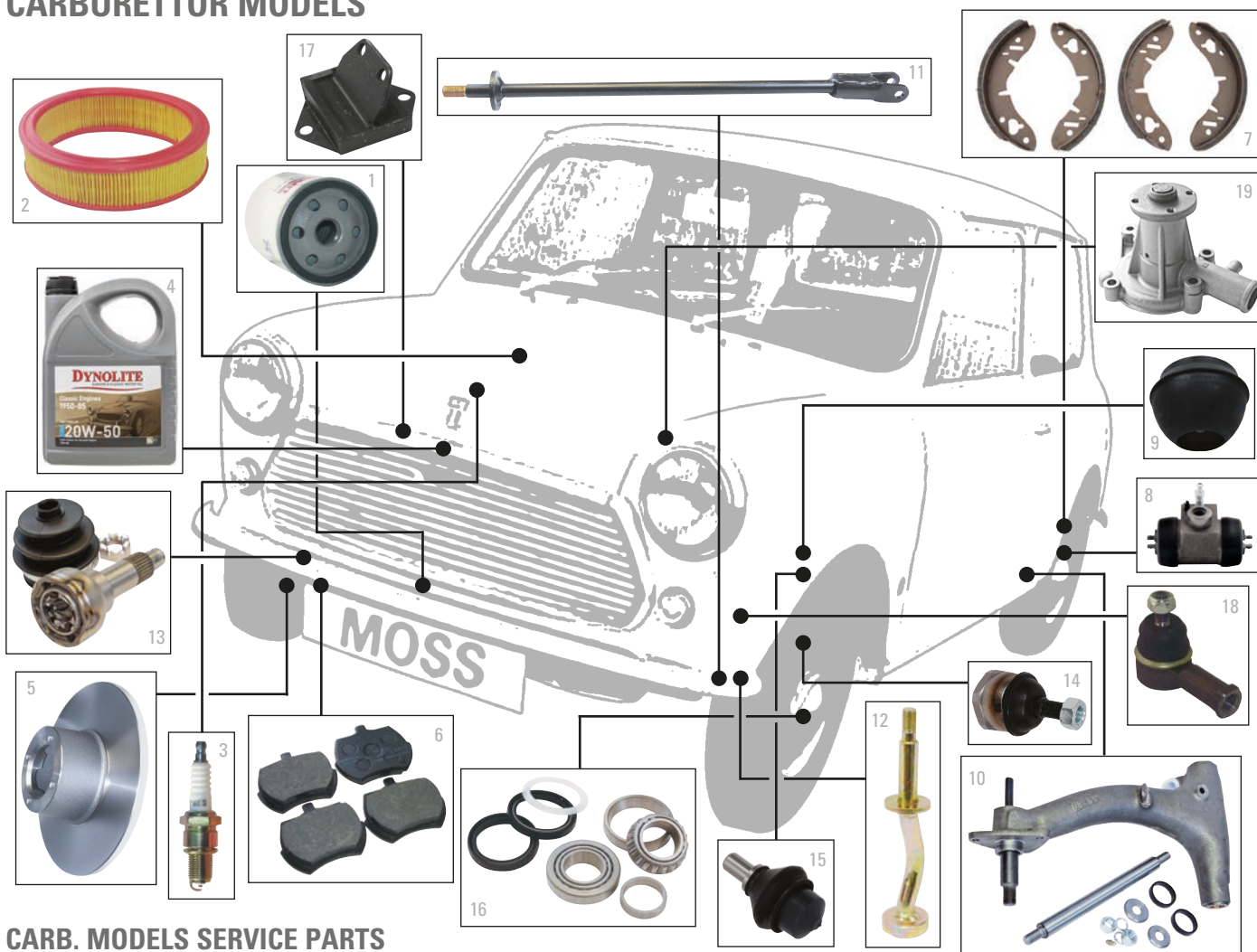
These publications have been carefully reproduced from the extensive historical archives in both England and the USA. Meaning you have access to the original Heritage publications needed to run and maintain your Heritage vehicle. Including parts catalogues, service manuals and owners literature. USB - Printable, searchable, zoom-able & bookmarked. Limited to 1 device. USB portable - Printable, searchable, zoom-able, bookmarked, offline capable, instant access. Take anywhere.

OTP Mini USB HTP2006E **£40.30**

OTP Mini USB portable HTP2006USB **£56.10**



CARBURETTOR MODELS



CARB. MODELS SERVICE PARTS

Old school carb Minis are still very popular with Mini owners. By far the easiest model to service there really are no excuses for neglect. Go on give it a treat.

- | | | | |
|---|---|---------------------|--------|
| 1 | Oil filter, cartridge type, manual models . . . | GFE166 | £2.40 |
| | Oil filter, paper element type, auto models . . | GFE104 | £4.20 |
| | Air filter element, (998cc) | GFE1008 | £6.70 |
| 2 | Air filter element, (1275cc) | GFE1096 | £6.00 |
| 3 | Spark plug, (1275cc), each | BPR6ES | £5.50 |
| | Fan belt, (1985 on) | GCB10825 | £5.60 |
| | Contact set, 45D distributor | GCS118 | £4.00 |
| | Condenser, 45D & 59D distributor | GSC2109 | £2.95 |
| 4 | Dynolite Classic 20W/50 | GGL812150 | £28.00 |
| | Breather hose, stepped | 12A1735 | £7.00 |

CARB. MODELS BRAKE PARTS (DISC & DRUM)

Keep your brakes in tip top condition. Replace anything you think is worn with new! Better safe than sorry and at these prices why wouldn't you?

- | | | | |
|---|--|--------------------|--------|
| 5 | Front disc, 8.4" diameter, 12" wheels | GBD90806 | £11.70 |
| 6 | Front disc pad set, 8.4" disc, 4 piece | GBP281 | £15.70 |
| | Rear brake drum with spacer | GDB106Z | NCA |
| | Front or rear brake drum, no spacer | GDB105Z | £12.30 |
| 7 | Rear brake shoe set, 4 piece | GBS834AF | £17.00 |
| | Front brake shoe set, 4 piece | GBS733AF | £13.50 |
| 8 | Rear wheel cylinder | GWC1102Z | £7.20 |

CARB. MODELS SUSPENSION & RUNNING GEAR

We have all seen a Mini going down the road nose diving on the front driver's side! Or followed one that looks like it's driving side ways, you might even have

the problem yourself? Worn radius arm...a collapsed suspension cone or even just a worn knuckle joint. Give us a call we can help with the parts you need.

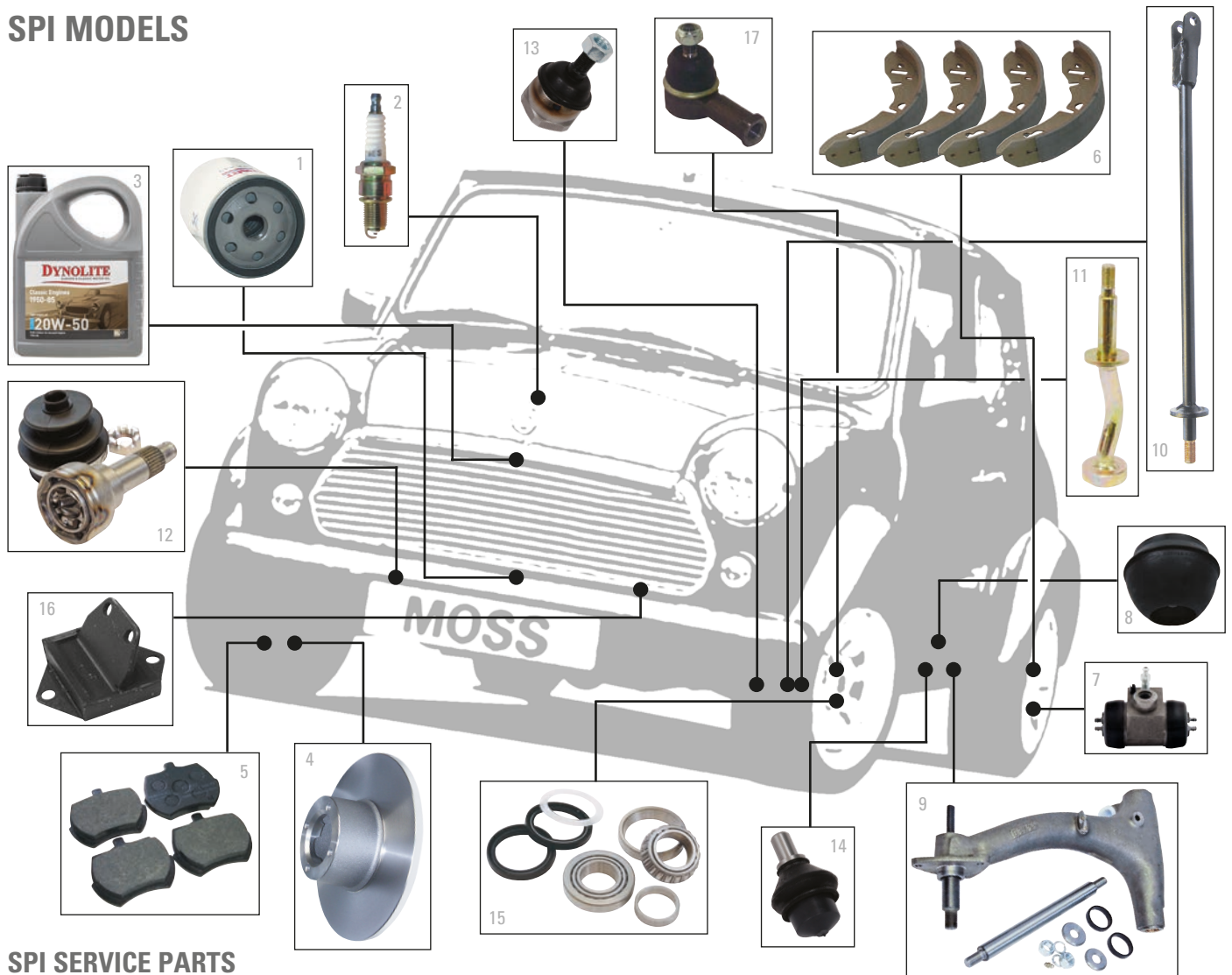
- | | | | |
|----|--|--------------------|---------|
| 9 | Suspension cone, metric, genuine Rover | FAM3968 | £57.00 |
| 10 | Radius arm, complete, RH, OE, new | NAM7162N | £225.00 |
| | Radius arm, complete, LH, OE, new | NAM7163N | £225.00 |
| 11 | Front tie bar, each | 21A450 | £9.30 |
| 12 | Fulcrum pin, front, lower arm | 2A4362Z | £14.00 |
| 13 | Outer CV joint, disc brake models | GCV1013 | £29.70 |
| | Upper arm repair kit | 2A4325K | £16.00 |
| 14 | Swivel pin kits, one side upper and lower . . | GSJ166 | £10.50 |
| 15 | Knuckle joint, inc. gaiter and cup, each . . . | GSV1118 | £3.50 |
| 16 | Taper front wheel bearing kit, each | GHK1140 | £25.80 |
| | Taper rear wheel bearing kit, all models, each . | GHK1548 | £12.90 |

CARB. MODELS GENERAL PARTS

MOT fails or just annoying niggles, some of the common culprits can be found here.

- | | | | |
|----|---|-----------------------|--------|
| | Engine mounts, all models except auto | 21A1902 | £3.85 |
| 17 | Front subframe rear mounting | 21A2599Z | £4.00 |
| | Engine steady bar bush, fitted in pairs | CRC5329 | £2.50 |
| 18 | Track rod end, each | GSJ734Z | £5.70 |
| | Gaiter kit, outer CV joint, OE, heavy duty . . | GSV1053 | NCA |
| 19 | Water pump, with bypass | GWP134 | £24.60 |
| | Steering rack gaiter kit, OE, steel clips . . . | GSV1153 | £6.20 |
| | Rocker cover gasket | GUG705009VC | £1.70 |
| | Inlet & exhaust manifold gasket | AJM601 | £2.40 |
| | Thermostat, standard, 82°C (180°F) | GTS104 | £5.20 |
| | Oil seal rod change | AHU1672 | £2.00 |
| | Oil seal differential output shaft | ADU5738 | £1.16 |

SPI MODELS



SPI SERVICE PARTS

Regular servicing is the best way to keep on top of your Mini. To ensure reliability as well as functionality use the best parts you can! Cheap oil and a dodgy filter might do more damage than you think.

- 1 Oil filter, cartridge type, (to 1996) GFE166..... **£2.40**
Air filter element, (to 1996) GFE1143..... **£10.00**
Fuel filter, 20mm, outlet nut, (to 1996) GFE7059..... **£11.50**
- 2 Spark plug, each, (to 1996)..... BPR6ES **£5.50**
Fan belt, (to 1996) GCB10825 **£5.60**
- 3 Dynolite Classic 20W/50 GGL812150 .. **£28.00**

SPI BRAKE PARTS

It's all well and good making your pride and joy go a little faster with the odd tuning part here and there, but will it stop? Quite often Mini brakes are totally neglected and in a sorry state, why not check them over and replace any worn components with new, it's not that expensive and could save a life!

- 4 Front disc, 8.4" diameter. GBD90806 ... **£11.70**
- 5 Front disc pads set, 4 piece GBP281 **£15.70**
Rear brake drum spaced GDB106Z..... **NCA**
- 6 Rear brake shoe set, 4 piece..... GBS834AF ... **£17.00**
- 7 Rear wheel cylinder..... GWC1102Z ... **£7.20**

SPI SUSPENSION & RUNNING GEAR

Crabbing, sagging and banging are all common terms used to describe the Classic Mini and people are usually referring to the suspension! Don't panic if you have any of the above problems we are here to help and have the parts and the solutions for you.

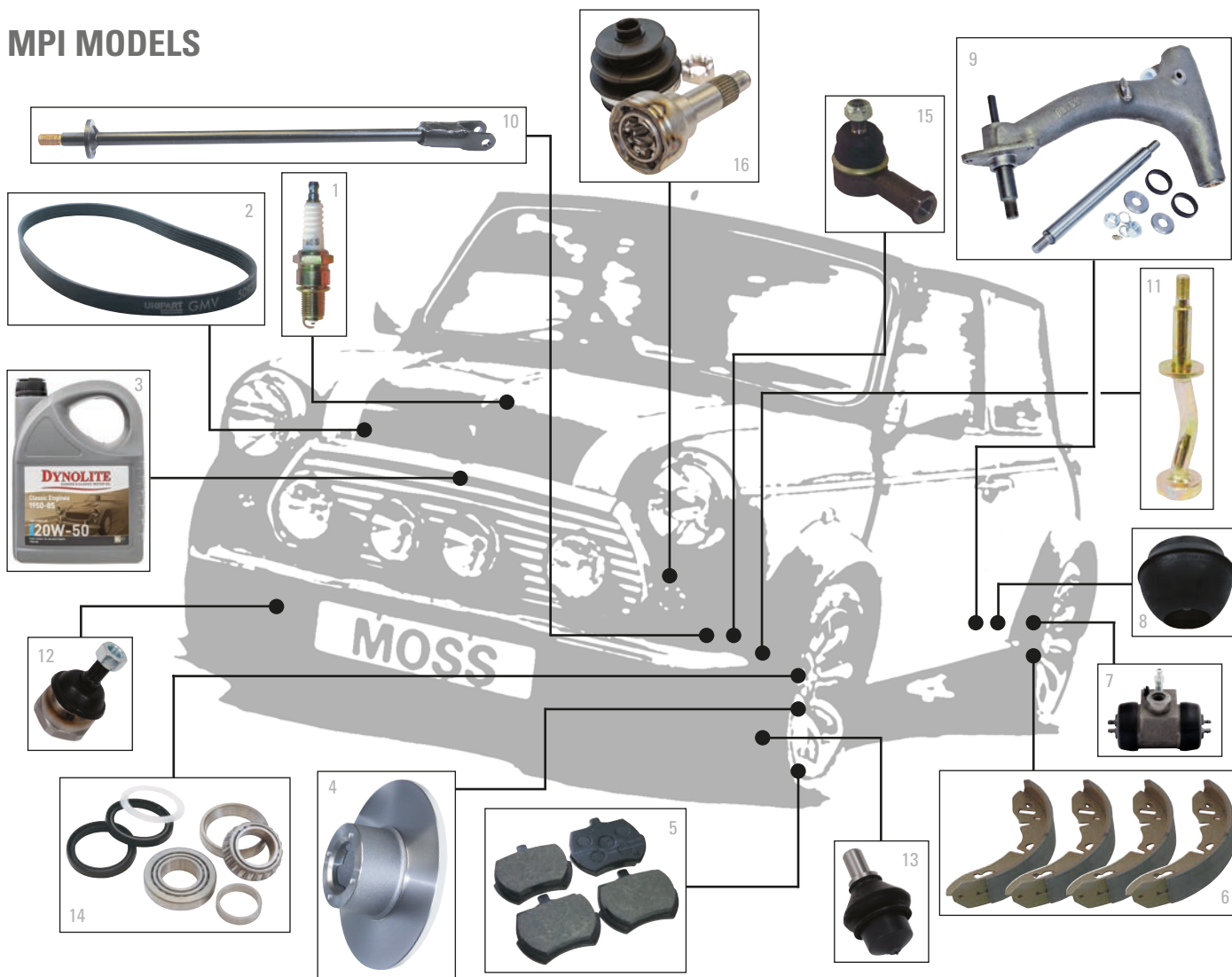
- 8 Suspension cone, metric, genuine Rover FAM3968 **£57.00**
- 9 Radius arm, complete, RH, OE, new NAM7162N . **£225.00**
Radius arm, complete, LH, OE, new NAM7163N . **£225.00**
- 10 Front tie bar, each..... 21A450 **£9.30**
- 11 Fulcrum pin, front, lower arm..... 2A4362Z..... **£14.00**
- 12 Outer CV joint GCV1013 **£29.70**
Upper arm repair kit 2A4325K..... **£16.00**
- 13 Swivel pin kits, one side upper and lower ... GSJ166 **£10.50**
- 14 Knuckle joint, inc: gaiter and cup, each GSV1118..... **£3.50**
- 15 Taper front wheel bearing kit, each..... GHK1140 **£25.80**
Taper rear wheel bearing kit, each..... GHK1548 **£12.90**

SPI GENERAL PARTS

We all know Mini has it's problem areas, we usually find out what they are come MOT time! Here are some common parts that might need to be replaced.

- Engine mounts 21A1902 **£3.85**
- 16 Front subframe, rear mounting 21A2599Z..... **£4.00**
Engine steady bar bush, fitted in pairs. CRC5329 **£2.50**
- 17 Track rod end, each..... GSJ734Z..... **£5.70**
Gaiter kit, outer CV joint, OE, heavy duty.. GSV1053..... **NCA**
Water pump, no bypass..... GWP187..... **£19.20**
Steering rack gaiter kit, OE steel clips..... GSV1153..... **£6.20**
Rocker cover gasket GUG705009VC. **£1.70**
Inlet & exhaust manifold gasket AJM601..... **£2.40**
Thermostat, standard, 88°C (190°F)..... GTS106..... **£6.00**
Oil seal rod change AHU1672 **£2.00**
Oil seal differential output shaft ADU5738 **£1.16**

MPI MODELS



MPI SERVICE PARTS

Keeping your Mini's engine in top condition has to come high on the agenda, regular servicing with good quality parts is easy and doesn't need to cost a fortune! Prevention is always the better option.

- Oil filter, cartridge type, (1996 on) LPW100180 . . . £3.90
- Air filter element, (1996 on) GFE1143 £10.00
- Fuel filter, 20mm, outlet nut, (to 169573 chassis) . GFE7059 £11.50
- Fuel filter, (169574 chassis on) WJN101190 . . . £13.80
- 1 Spark plugs, each, (1996 on) BPR6ES £5.50
- 2 Fan belt multi groove, (1996 on) GMB50920 . . . £11.56
- 3 Dynolite Classic 20W/50 GGL812150 . . . £28.00

MPI BRAKE PARTS

One of the most important components on any car has to be the brakes! The Mini is no exception to this. It's so important to check the condition of your brakes on a regular basis! If in doubt... replace with new parts.

- 4 Front disc, 8.4" diameter. GBD90806 . . . £11.70
- 5 Front disc pads set, 4 piece GBP281 £15.70
- Rear brake drum, spaced GDB106Z NCA
- 6 Rear brake shoe set, 4 piece. GBS834AF . . . £17.00
- 7 Rear wheel cylinder. GWC1102Z . . . £7.20

MPI SUSPENSION PARTS & RUNNING GEAR

Knocks and bangs are quite common on Mini, usually caused by part of the suspension being badly worn. The MPI model does seem to suffer a little

more mainly due to the larger and wider wheels fitted. The common failure parts are listed below.

- 8 Suspension cone, metric, genuine Rover . . . FAM3968 . . . £57.00
- 9 Radius arm, complete, RH, OE, new NAM7162N . £225.00
- Radius arm, complete, LH, OE, new NAM7163N . £225.00
- 10 Front tie bar, each. 21A450 £9.30
- 11 Fulcrum pin, front, lower arm. 2A4362Z £14.00
- Upper arm repair kit 2A4325K £16.00
- 12 Swivel pin kits, one side upper and lower . . . GSJ166 £10.50
- 13 Knuckle joint inc: gaiter & cup, each GSV1118 £3.50
- 14 Taper front wheel bearing kit, each. GHK1140 . . . £25.80

MPI GENERAL PARTS

Here are some of the parts we get asked for on a regular basis. Helping you to keep your Mini alive and in the best possible shape is why we are here and we are constantly checking not only our product but also our prices!

- Engine mounts 21A1902 £3.85
- Engine steady bar bush, fitted in pairs. CRC5329 £2.50
- 15 Track rod end, each. GSJ734Z £5.70
- 16 Outer CV joint GCV1013 £29.70
- Gaiter kit, outer CV joint, OE, heavy duty. GSV1053 NCA
- Water pump, no bypass. GWP187 £19.20
- Steering rack gaiter kit, OE, steel clips GSV1153 £6.20
- Rocker cover gasket GUG705009VC . £1.70
- Inlet & exhaust manifold gasket LKJ100580EVA . £7.80



Classic Mini **Restoration Parts**



Ordering Information

Notification of prices

Due to the volatility of world markets and currency fluctuations the prices in this catalogue are subject to change. Moss make every attempt to keep prices competitive and stable, however in common with all other suppliers in our industry, we reserve the right to alter these prices without prior notice.

For the latest prices, please visit our website www.moss-europe.co.uk. All prices are per unit (unless otherwise stated) and include (UK) VAT at 20% (where applicable) and are correct at the time of going to print. Postage and packaging is not included. E&OE. Where the price is replaced with NCA this part is Not Currently Available. Please visit our website (moss-europe.co.uk) or call our sales staff for the latest availability information or to enquire if we can offer an alternative part.

Product supersessions

Moss Europe's policy is to detail the most up to date part information in our catalogues. Where possible parts are kept to original specification. However, in some instances we have to supersede to the most viable alternative product to maintain supply and keep cars on the road. Every effort is made to ensure high quality products.

UK ordering

We accept orders by mail, telephone, e-mail, fax and on-line at www.moss-europe.co.uk. If you have the opportunity, we invite you to visit one of our branches. Remember, supplying details of your car, (i.e. engine, commission or Vehicle Identification Number (VIN) LHD or RHD, year of manufacture and any modifications) saves time and helps us to help you. Please inform us of your customer number, as this will speed up the processing of your order.

Overseas ordering

We accept orders by mail, telephone, e-mail, fax and on-line at www.moss-europe.co.uk. If you visit the UK please come and visit one of our branches. When ordering, please ensure that you enclose full details of your name, address and customer number, plus details of your car (i.e. engine, commission or Vehicle Identification Number (VIN) LHD or RHD, year of manufacture and any modifications).

Please note: Overseas orders are often subject to local import duties, taxes and Customs clearance, which will need to be paid for at the point of entry. These charges are NOT included in the price of the goods or delivery prices. All relevant Customs forms and documentation needed to ensure the order arrives with the minimum of delay, will be included with your shipment. If you have any special requirements, please contact us to discuss them. Delivery charges are dependent upon the size and weight of the shipment. If a quotation is required prior to placing an order, please contact the export department at your chosen branch and they will be pleased to supply a full quotation.

Parts back-order system

A back-order system is used when a part is not in stock at the time of ordering. If the item is expected to become available within 6 months, then it will be put on back-order, unless the customer instructs us otherwise. When we have the parts in stock, the back-order will be processed automatically and the item will be dispatched to the customer. If the particular part becomes No Longer Available (NLA) or does not become available within 6 months the back-order will be cancelled. If you are unsure when you placed a back-order contact your local branch.

Dispatch & delivery methods

Orders for delivery in the UK may be dispatched by regular post for small/lightweight items, larger items may be dispatched via a courier. Please call us for the best delivery option for your order and the latest delivery prices. For delivery outside the UK we offer the following services.

- Economy delivery (by road): 2 to 5 days (approximately).
- Express delivery (by air): 1 to 2 days (Guaranteed) - next day service to most countries.
- For small and low value orders we also use airmail.

For these services, please ask for prices and the best delivery option when you place your order. Most deliveries (except airmail) are 'trackable', (inc: e-mail updates and internet access for selected carriers). Please remember, all carriage charges are dependent on weight band, volume, destination and delivery time. If a quotation is required prior to placing your order, please contact the sales department. Alternatively, you can arrange your own delivery and dispatch.

Windscreen delivery information

We always suggest that windscreens should be collected from one of our branches to ensure you are able to transport your glass with the utmost of care. However, we understand that this is not always possible.

To minimise the possibility of damage to the windscreen in the shipping process, it is now Moss Europe's policy to ship windscreens packed in a specially designed heavy duty 'Tri-Wall' cardboard box. The price of this box is £35.00 (Ex VAT), non-refundable and is not included in the price of the product. The crate's dimensions will also increase shipping costs, particularly in EU countries. The crate dimensions are 150cm x 33cm x 74cm. The maximum volumetric weight is 92kgs. For more information please contact your nearest Moss branch.

Hazardous goods delivery information

At the time of going to print, Moss Europe Ltd conforms to international shipping regulations regarding packaging and transportation of Hazardous Goods by road and sea freight (only). Due to these international shipping regulations and licencing rules all goods deemed as Hazardous are currently available for shipping to the UK and Europe only. If you place an order containing Hazardous goods and your shipping address is not in the UK or Europe, we will not be able to ship this item to you. Please contact your local branch or visit our website moss-europe.co.uk for the latest delivery information of Hazardous goods.

Quotations & payment methods

We will be pleased to provide a full parts quotation detailing price, availability and relevant shipping costs. Payment may be made by cash, personal cheque (to the card guarantee limit), Certified Bank Draft, Sterling Travellers Cheques and credit or debit card including: Mastercard, Visa, Delta. If you intend to make payment by Cheque or Bankers Draft when using our fast mail-order parts service, please confirm parts availability and carriage charges. We can accept payments using PayPal for website, email and phone orders.

Value added tax (VAT)

Value Added Tax (VAT) at the current rate will be levied on all orders being dispatched to all countries within the European Community. EU countries may be charged on their local VAT rate, please contact us or see website for details. VAT is not charged on goods dispatched to countries outside of the EU. However, such orders are often subject to local import duty, taxes and Customs clearance, which MUST be paid by you at the port of entry. Such charges are not included in the cost of the goods or delivery prices.

Exchange units

We are able to offer a full rebuild service on numerous major components in our product range. We offer this service as an alternative to direct replacement parts, or when a brand new item is no longer available. However, the continuity of this exchange scheme needs the understanding and co-operation of our customers in relation to several important points: It is important to remember that "rebuilt" does not mean "brand new". Rebuilding a unit involves stripping, cleaning, inspecting and re-assembling the unit. During this process, parts showing signs of wear will either be completely replaced or suitably renovated. However, it is not always feasible for major sub-components to be replaced with brand new ones, for example, an exchange engine will not have a new block. Due to the nature of certain product lines, some items can only be offered on a "one for one" exchange basis. This effectively means that you must offer us a viable unit before we can release a fully rebuilt item from our stock. In some instances we can only carry out reconditioning of your own unit. Our staff will inform you if this is the case.

All exchange units are subject to a surcharge. This surcharge serves two purposes; firstly, it acts as an incentive for you to return your old unit, and secondly it provides us with financial cover if your returned unit proves unsuitable for exchange purposes.

Whether or not your returned unit is suitable for exchange purposes cannot be ascertained until it is made available to us for inspection. As a general rule, suitable for exchange basically excludes any items that are beyond reasonable repair (e.g. crankcases pierced by a connecting rod) or units irrevocably damaged. We are also unable to accept units unless they are returned in whole, complete form (i.e. differential units which are returned partly stripped with no bearings and all the shims missing are not generally accepted), nor do we accept a "box of bits".

Surcharges will only be refunded once our core department has passed the item as serviceable. Under no circumstances can any exchange unit be shipped overseas until we receive your original unit. We have predetermined prices for our exchange units based on our experience of repair costs for a gearbox, axle or engine. Occasionally, however, the damage to the unit is so great that we will contact you before beginning work on your unit to advise you of any additional cost that may be incurred during the rebuild of the unit. We can return the unit (at your cost) if this proves unacceptable.

'Old unit' returns

Exchange items including reconditioned engines are subject to a surcharge that is refunded when a rebuildable unit (core) is returned. When you receive the rebuilt unit, attached to it will be a Core Return Authorisation Tag. This tag must be removed from the rebuilt unit and attached to the returned core in order to receive credit. Cores must be returned within 90 days of purchase in the original box, carton or engine cradle supplied with the rebuilt unit. Cores must be shipped clean and empty of fluids. Cores must be complete, assembled and rebuildable to receive credit or refund. You must pay all shipping charges for the return of the core and these charges are not refundable.

Warranty

All parts are warranted against defects in materials and workmanship for a period of twelve (12) months from the date of purchase. The warranty does not cover failure resulting from incorrect installation or misuse; failure during any competition, motorsports or track events; failure of any, or caused by any, related component. The warranty does not cover labour charges, nor will a warranty settlement be greater than the cost of the original component. Should you need to make a warranty claim, please contact us immediately at the branch of purchase. We will then advise you as to the best course of action. With all warranty claims a copy of the original purchase invoice must be produced.

Warranty returns

Parts that fail in use may be returned for 12 months from the date of purchase. Returns must be accompanied by the original invoice - no warranty claims will be paid without a copy of the original invoice. Return freight will be reimbursed. Electrical parts returned for warranty will be tested and if found functional, no return credit will be given and the part will be returned. Reimbursement is made by the original payment method. Complete the return form included in each order, pack the items securely and use the shipping return label supplied.

Non-warranty returns

All uninstalled parts, in their original packaging may be returned within 90 days for any reason. A copy of the original invoice or the picking label (which is generally attached to the original packaging) must accompany the return. Return freight is paid by the customer. If the return is due to our error, the return freight will be reimbursed. Parts returned outside of this policy or in non-resalable condition may not be accepted or may be assessed a 15% handling fee. Reimbursement is made by the original payment method. Complete the return form included in each order, pack the items securely and use the shipping return label supplied.

Customer service

We value your custom and wish to ensure that you receive the very best service. Every effort will be made to provide you with Quality Parts and Expertise in a relaxed, helpful and friendly manner. Should you consider the service you receive from us to be unsatisfactory, or you have any problems with the part(s) purchased, please advise a member of the sales team at the originating branch. If the matter is not resolved to your satisfaction, please contact our Customer Services Department and we will do our very best to resolve the issue, either email: customerservices@moss-europe.co.uk or write to: Customer Services, Moss Europe Ltd Unit 16, Hampton Business Park, Bolney Way, Feltham TW13 6DB England.

British Motor Heritage

Moss Europe Ltd is a British Motor Heritage approved specialist. Our agreement with British Motor Heritage allows us the use of marquee logos and some of the artwork contained within this catalogue.



A			
A post	Page 80		
A series identification	Page 09-11		
Air duct	Page 70		
Air filter	Page 51		
Alternator	Page 67		
Alternator pulley	Page 67		
Anti run on valve	Page 23		
B			
Badges & decals	Page 92		
Battery	Page 69		
Battery box	Page 82		
Battery cables	Page 69		
Body repair panels	Page 80-85		
Bodyshell	Page 79		
Bonnet	Page 80-85		
Bonnet release kit	Page 85		
Boot floor	Page 82		
Boot lid	Page 81		
Brake back plates	Page 59-61		
Brake caliper	Page 60		
Brake disc	Page 60		
Brake drums	Page 59-61		
Brake hoses	Page 64-65		
Brake master cylinder	Page 62-63		
Brake pad set	Page 60		
Brake pipe conversion kit	Page 64-65		
Brake pipes	Page 64-65		
Brake servo	Page 62-63		
Brake shoes	Page 59-61		
Brake/clutch fluid	Page 64-65		
Bump stops	Page 54-55		
Bumper	Page 91		
Bypass hose	Page 38		
C			
Cam follower	Page 14-17		
Camshaft	Page 14-17		
Carburettor single HIF	Page 46-47		
Carburettor single HS2	Page 40-41		
Carburettor single HS4	Page 44-45		
Carburettor twin HS2	Page 42-43		
Carburettors	Page 40-48		
Carpet set	Accessories		
Centre binnacle kit	Page 74		
Chassis plates	Page 92		
Clutch assembly	Page 24-25		
Clutch fluid	Page 27		
Clutch hose	Page 26-27		
Clutch master cylinder	Page 26-27		
Clutch slave cylinder	Page 26-27		
Coil	Page 68		
Colour swatches	IBC		
Con rod	Page 14-17		
Condenser	Page 68		
Contact set	Page 68		
Cooling fan	Page 38		
Crank pulley	Page 14-17		
Crankshaft	Page 14-17		
Crossmember	Page 82		
Crown wheel	Page 31		
CV joint	Page 57		
Cylinder head	Page 18-19		
Cylinder head gasket	Page 18-19		
D			
Damp shield kit	Page 68		
Dash panel kits	Accessories		
Dash rail	Page 80		
Decals	Page 92		
Differential unit	Page 31		
Dipstick	Page 22		
Distributor	Page 68		
Door	Page 84		
Door glass	Page 88		
Door hinges	Page 86-88		
Door locks	Page 86-88		
Door seals	Page 86-88		
Drive flange	Page 57		
Drive shaft	Page 57		
Drive shaft gaiters	Page 57		
Drop gears	Page 30		
Duplex gear kit	Page 14-17		
E			
Electric cooling fan	Page 38		
Engine controls	Page 48		
Engine gasket set	Page 13		
Engine mountings	Page 20		
Engine paints	Page 13		
Engine stabilisers	Page 20-21		
Engines	Page 13		
Exhaust manifold	Page 34-35		
Exhaust system	Page 34-35		
Exhaust valves	Page 18-19		
Expansion tanks	Page 36-37		
F			
Fan belt	Page 38		
Flasher unit	Page 69		
Floor panel	Page 82-83		
Flywheel	Page 24		
Fog lamps	Page 77		
Front panel	Page 80-85		
Fuel hose	Page 50		
Fuel injection	Page 49		
Fuel pump	Page 50		
Fuel sender unit	Page 50		
Fuel tank	Page 50		
Fuse box cover	Page 69		
Fuses	Page 69		
G			
Gauge face kit	Page 74		
Gauge, ammeter	Page 74		
Gauge, clock	Page 74		
Gauge, dual	Page 74		
Gauge, fuel	Page 74		
Gauge, oil pressure	Page 74		
Gauge, oil temperature	Page 74		
Gauge, speedometer	Page 74		
Gauge, tachometer	Page 74		
Gauge, voltmeter	Page 74		
Gauge, water temperature	Page 74		
Gear lever	Page 29		
Gearbox	Page 28-33		
Gearbox reconditioned	Page 33		
Gears	Page 30-31		
General hardware	Page 93-95		
Glazing	Page 89		
Grille, front	Page 90		
H			
Handbrake cable	Page 66		
Handle, bootlid	Page 85		
Handle, door	Page 86-88		
Handle, window winder	Page 88		
Head gasket set	Page 18		
Headlamp	Page 76		
Headlining	Accessories		
Heater cable	Page 70		
Heater hoses	Page 70-71		
Heater matrix	Page 70		
Heater unit	Page 70-71		
Horn	Page 69		
HT lead set	Page 68		
Hub	Page 54-55		
Hub bearing kit	Page 56-57		
Hub cap	Page 92		
I			
Idler gear	Page 30-31		
Indicator	Page 76		
Inlet manifold	Page 34-35		
Inlet valves	Page 18-19		
Inner sills	Page 83		
Inner wings	Page 84		
Interior lamp	Page 78		
K			
Knuckle joint	Page 54-55		
L			
Layshaft	Page 30-31		
M			
Main bearings	Page 14-17		
Mirrors	Page 92		
Mudflaps	Page 92		
N			
Notes	Page 96		
Number plate lamp	Page 78		
O			
Oil breathers	Page 22-23		
Oil controls	Page 22		
Oil filler cap	Page 19		
Oil filters	Page 22		
Oil hoses	Page 22-23		
Oil pipes	Page 22		
Oil pump	Page 22		
Outer sills	Page 82		
Overriders	Page 91		
P			
Piston set	Page 14-17		
Primary gears	Page 14-17		
Push rods	Page 14-17		
Q			
Quarter light	Page 89		
Quarter panel	Page 80-85		
R			
Radiator	Page 36-37		
Radiator hoses	Page 36-37		
Radius arm	Page 56		
Rear lamp	Page 77		
Rear screen	Page 89		
Relay	Page 69		
Ring gear	Page 24		
Rocker cover	Page 18-19		
Rocker set	Page 18-19		
Roof panel	Page 80		
Rotor arm	Page 68		
S			
Seat belts	Accessories		
Seat covers	Accessories		
Shock Absorbers - front	Page 54-55		
Shock Absorbers - rear	Page 56		
Side repeater lamp	Page 76		
Sound insulation	Accessories		
Spark plug	Page 68		
Speedometer drive cable	Page 74		
Starter motor	Page 67		
Starter solenoid	Page 67		
Steering arm	Page 54-55		
Steering column	Page 58		
Steering lock	Page 58		
Steering rack	Page 58		
Steering wheels & bosses	Accessories		
Stub axle	Page 56		
Stub stack	Page 51		
Subframe mounting	Page 52-53		
Subframes	Page 52-53		
Sun visors	Accessories		
Suspension cones	Page 56		
Suspension, front	Page 54-55		
Switches, column	Page 73		
Switches, dash	Page 73		
Switches, miscellaneous	Page 73		
Swivel pin kits	Page 54-55		
T			
Tail gate	Page 81		
Technical advice	Page 04-09		
Temperature transmitter	Page 73		
Thermostat	Page 36-37		
Thermostat housing	Page 36-37		
Throttle body	Page 49		
Thrust washer set	Page 15		
Tie bars	Page 54-55		
Timing chain	Page 14-17		
Track rod ends	Page 58		
Trim panel kits	Accessories		
Trunnion rear subframe	Page 53		
V			
Vacuum unit	Page 68		
Valance, rear	Page 81		
Valve guides	Page 18-19		
Valve springs	Page 18-19		
Van panels	Page 81		
Voltage stabiliser	Page 74		
W			
Washer bottle	Page 72		
Washer jet	Page 72		
Washer pump	Page 72		
Water heater valve	Page 71		
Water pump	Page 38		
Water pump pulley	Page 38		
Weather strip	Page 86-88		
Wheel arch extensions	Page 91		
Wheel cylinders	Page 59-61		
Wheels	Accessories		
Window catches	Page 86-88		
Window regulator	Page 88		
Windscreen	Page 89		
Wing, front	Page 80		
Wing, rear	Page 80		
Wiper arm	Page 72		
Wiper blade	Page 72		
Wiper bush kit	Page 72		
Wiper motor	Page 72		
Wiper wheel box	Page 72		
Wiring loom	Page 75		
Wood body kit	Page 81		



Engine Preparation

This is a general guide to correct procedures and will apply, wholly or partly to all types of engine rebuild. However, before the engine rebuild can begin the engine needs to be stripped down, cleaned and examined, a procedure which many undertake with undue haste. During the strip down the following should be observed:

1. Wait for the engine to cool properly before removing the cylinder head - this applies especially to aluminium type heads. The consequence of not waiting can result in a warped head.
2. Mark the location (and, where applicable, orientation) of all major components especially valves, tappets, camshafts, pistons and rods, shell bearings by placing in clearly marked containers or racks.
3. Before removing bearing caps (e.g. camshaft, con rod, main bearing), make sure they are clearly marked for position and orientation.

Note: They must go back in the same position or on the same con rod and the right way round.

Once stripped all parts should be thoroughly cleaned and inspected with specific attention to any areas of bad wear or damage e.g:

1. Blown head gasket/burnt out valves - cylinder heads should always be thoroughly examined for cracks or distortion. Simply fitting a new gasket or valve is not the answer.
2. Damaged piston/rings - always check the cylinders for wear and damage. If the pistons need replacing, a rebore or cylinder hone is almost certainly needed as well. Damage to bores often appearing at the limits of the piston ring travel may well be what dictates the need for a rebore or at least a professional hone.
3. Badly worn crankshaft shell bearings - if the crankshaft is badly scored it must be reground to the next undersize. However, just as important are the con rod and main bearing housings that the shell bearings fit into. These are often overlooked and any wear or distortion in these areas will cause premature engine failure.

Cleaning should include removal of all oil gallery plugs to enable thorough cleansing with brushes. Many parts can be re-used during the rebuild but the following items should always be replaced:

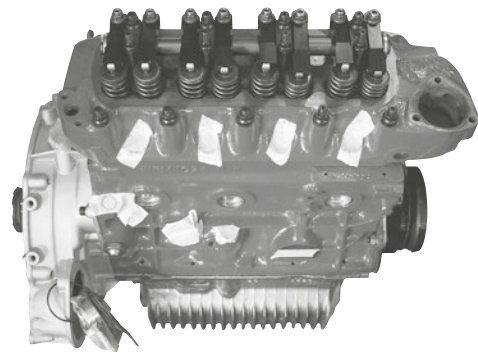
1. All Gaskets And Seals. 2. Shell Bearings. 3. Timing Belts Or Chains. 4. Timing Belt/Chain Tensioners. 5. Piston Rings. 6. Oil Pump Drives. 7. All Major Fastenings Including Cylinder Head, Con Rod And Flywheel Bolts.

Engine Rebuild

The following highlight important procedures during the re-assembly of a modified engine:

1. **THOROUGHLY** clean and check **ALL** parts - your engine's worst enemy is dirt, even new parts may need cleaning. This includes the head and block and all oil galleries.
2. **ALWAYS** fit new high quality gaskets and seals, ensuring all shafts and mating surfaces are free from burrs and defects. Use correct sealants or lubricants where necessary.
3. **LIBERALLY** oil all internal parts during assembly. Use the special assembly lube or gear oil on cam lobes and tappet faces.

4. **ALWAYS** replace cam followers when fitting a new camshaft.
5. **ALWAYS** replace con rod, flywheel and cylinder head studs and bolts. All other fastenings should be checked for wear or damage and replaced as necessary. For high specification engines, race quality fastenings are available for most applications.
6. **CLEAN** all threads and fastenings prior to fitment and use a good quality torque wrench on all critical components. Apply an anti-seize lubricant to all cylinder head fixings.
7. If you are fitting high lift cams, special pistons, or large valve heads, always carry out a dummy engine build and check valve to piston/block clearances. Machine piston crowns/valve pockets or block face as necessary.
8. **INCORRECT** cam timing can severely reduce the power output so don't overlook this area during assembly. Use adjustable cam pulleys or sprockets where available.
9. **CHOOSE** compatible parts for your specific conversion. A full race specification head will be next to useless if fitted to a mild road stage engine. Modified camshafts and cylinder heads in particular should be chosen with care.



10. **UNLESS** you know what you are doing, avoid over-lightening components. Reducing the weight of some parts may also reduce their strength to a critical level.
11. **ALWAYS** have the engine assembly balanced - it will make a lot of difference to the smoothness and help maintain optimum reliability.
12. **DON'T** forget the clutch - depending on the power increase, a suitable heavy duty or competition clutch assembly will be required.
13. **OIL** And **FILTER** - the importance of using the correct specification of oil cannot be overstated. Please contact your local branch for advice.

Most engine modifications should be followed up with a professional engine tune. Apart from emissions, the correct ignition timing and fuelling is paramount if you want the best return for all the expense and effort you have put in. Get these important settings wrong and you may lose more than just a bit of power. Over-fuelling (rich mixture) can result in excessive piston, ring and bore wear. Under fuelling (weak mixture) or retarded ignition can cause overheating problems. An ignition set with too much advance is likely to induce detonation or 'pinking' which, if left uncorrected, can shatter pistons and place excessive loads on the bottom end. You have been warned!

Lastly, please check that your suspension and braking systems are adequate for the power increase you have achieved. A full range of optional equipment can be found further in the Moss Europe catalogue.

Camshafts

Camshaft Fitting Instructions

The installation and first few moments of running are critical factors in the life of the camshaft. Failure to install the camshaft correctly will have a drastic effect on the life of the camshaft and in the worst cases can result in immediate failure. The following instructions must be adhered to in order to obtain maximum performance from the engine and to ensure a long and trouble free life from both camshaft and associated components. These instructions are also provided in addition to the original manufacturer's installation procedure.

Where a camshaft is being replaced due to excessive wear, it would be highly recommended to strip the engine and fully clean the internals. Metal particles present in the sump, oil pump, bearings and oil galleries will soon play havoc with the new cam. It would also be wise to check the oil feed system. Low oil pressure due to a worn pump, blocked pick-up pipe or blocked oil galleries will quickly wear the new cam to the same state as the one being replaced. In other words, before replacing a failed camshaft, make sure you find out the reasons for the failure and correct it!



Before fitting the camshaft, check that it is identical in every aspect (with the exception of the lobe profiles) to the one being replaced. Special attention should be given to the oil feed positions and journal diameters as variations may occur during the manufacture of the engine. Also check that any gallery bungs present on the old cam are also in place on the new cam. Do not remove the black phosphate coating from the new cam lobes. Liberally coat both the camshaft and cam followers with a proprietary cam lube or engine assembly compound. We recommend and use a colloidal graphite paste. Failure to do this can cause scuffing between the surfaces of the cam and followers, which will result in premature wear. Ensure that followers are free to rotate in their bores where applicable. It is essential that new followers are always fitted, regardless of the condition or limited use of the old followers. Failure to do so may cause premature components failure and consequently will invalidate any warranty claim.

Upon installation, the valve springs must be checked to ensure that:

1. The fitted length (installed height) of the valve springs match the figure provided by the manufacturer. If too small, then the valve seat areas in the head will require machining. If too large, shims can be added to the spring seat. Due to varying manufacturing tolerances of cylinder heads, all springs should be checked and measured for clearance.
2. Coil binding does not exist at full valve lift. This is the condition where the spring is fully compressed. As a guide, the spring should be able to compress a further 0.060" (1.5mm) before the coil bound condition is reached. This can be checked by inserting

feeler gauges between each coil of the spring and adding the results together to get a total clearance figure. Due to varying manufacturing tolerances of cylinder heads, all springs should be checked and measured for clearance.

Check the clearance between the bottom face of each retainer and the top of the guide or stem seal at full lift. This should be a minimum of 0.080" (2mm). If this clearance cannot be achieved, the top of the guides must be machined. When double valve springs are being installed in place of singles, ensure the inner spring is correctly located and the correct retainers and platforms are used where applicable. When modifying engines that utilise finger followers, it is imperative that you ensure the followers remain in the original attitude relative to the cylinder head. Failure to do so will alter the rocker geometry, increasing or decreasing valve lift and can result in failure of both cam and followers or excessive valve stem/guide wear. For OHV engines, attention should be paid to rocker arm geometry for the same reasons.



Camshaft Timing

Determining True Crank TDC Position - Head Off Block

Although the crank pulley will have a mark to show TDC position, this point may not be accurate due to manufacturing tolerances. It is always recommended to calculate the actual position of TDC rather than rely on the mark on the crank pulley. Fit the timing disc to the front of the crankshaft. A pointer for the timing disc can be made from a piece of bent wire secured under a suitable front cover bolt. Position a dial gauge to measure the travel of No 1 piston.

Turn the crank until the piston is at its maximum height and zero the gauge. You will find that there is a dwell period of approx. 10 degrees where the piston is at its maximum height. True TDC position is at the centre of this dwell period. To accurately measure the position of TDC, rotate the crankshaft and stop at a figure just before TDC, for example 0.020" on the dial gauge. Record the figure on the timing disc from the pointer. Now rotate the crankshaft and stop at the same figure (0.020") after TDC. Record the figure on the timing disc again. True TDC is positioned in the middle of these two figures. The TDC position can be calculated by adding the two figures together and dividing by two. Adjust the timing disc so that it reads zero on the pointer at true TDC.

Determining True Crank TDC Position - Head On Block

If the head has not been removed when changing the cam, it is still possible to measure the true TDC position. The procedure is the same as above but the movement of the piston is recorded by using an extension resting on the piston crown (such as a socket extension or push rod). Access to the piston crown is made through the spark plug hole.

Formula

Engine Capacity/Displacement

Information required: 1. Cylinder bore, 2. Crankshaft stroke, 3. Number of cylinders.

Calculation: $0.7854 \times \text{bore} \times \text{bore} \times \text{stroke} \times \text{number of cylinders}$.

Example: Bore = 73.5mm (7.35cm), Stroke = 81.3mm (8.13cm), cylinders.

Solution: $0.7854 \times 7.35 \times 7.35 \times 8.13 \times 4 = 1379.79\text{cc}$.

In the above example we have used centimetres to calculate capacity in cubic centimetres. To find the displacement in cubic inches simply substitute measurements in inches: 7.35cm = 2.893" and 8.13cm = 3.200" giving $0.7854 \times 2.893" \times 2.893" \times 3.200" \times 4 = 84.13 \text{ cu.in.}$

To quickly convert from cc's to cu.ins. divide by 16.387 and from cu.in. to cc. Multiply by 16.387.

Crankshaft Stroke

Information required: 1. Bore size, 2. Engine capacity, 3. Number of cylinders.

Calculation: Divide engine capacity by: $(0.7854 \times \text{bore} \times \text{bore} \times \text{no. of cylinders})$.

Example: 1380cc 4 cylinder engine with an 73.5mm bore size.

Solution: $1380 \div (0.7854 \times 7.35 \times 7.35 \times 4) = 169.717086$, $1380 \div 169.717086 = 8.13\text{cm}$.

Compression Ratio

Information required: 1. Capacity of ONE cylinder, 2. Compressed volume.

Cylinder capacity is the total engine displacement divided by the number of cylinders. E.g: 4 cylinder 1000cc engine = 250cc per cylinder.

Compressed volume is the area above the piston crown when the piston is at its highest point or top dead centre (TDC).

This area comprises:

1. The combustion chamber (usually in the cylinder head as shown, but can also be in the piston crown).
2. The head gasket thickness.
3. The area between the cylinder block face and the piston crown, commonly referred to as the 'deck height'.

Procedure:

Measure the volume of the cylinder and/or piston chambers using a suitable burette filled with paraffin. Calculate the volume of the gasket and deck height areas and add these to the chamber volume to arrive at the total compressed volume. Some engines with irregular piston crown shapes, especially raised areas, may be difficult to quantify with any degree of accuracy. In such cases it is best to measure the compressed area with the cylinder head fitted. Make sure the piston is at TDC and seal the gap between the cylinder wall and the piston with grease (this will prevent seepage past the rings giving a false reading). Refit gasket and cylinder head and measure the volume through the spark plug hole.

Note: The spark plug hole must be at the highest point when carrying out this procedure.

Calculation: $(\text{Cylinder volume} + \text{compressed volume}) \div \text{compressed volume}$.

Example: 1000cc 4 cylinder engine with a compressed volume of 27cc's.

Solution: One cylinder = $1000\text{cc} \div 4 = 250\text{cc}$.
 $(250\text{cc} + 27\text{cc}) \div 27\text{cc} = 277\text{cc} \div 27 = 10.26$ or 10.26:1 compression ratio.

Valve Size

The maximum airflow through any valve occurs when it has been lifted 25% of its diameter. For example, a 37mm (1.45") valve will require a lift of no more than 9.25mm (.364") and a 31mm (1.22") valve a lift of 7.75mm (.305") to reach their maximum flow capabilities.

Timing In The Camshaft

Rotate the crankshaft clockwise to 90 degrees after TDC. This will make sure all the pistons are half way down the bore. Now position the dial gauge so that it can read the lift of the inlet valve of number 1 cylinder from the top of the valve retainer. Rotate the cam until the gauge shows that the valve is at full lift. As with the crankshaft, there will be a dwell period where the valve is at full lift. True full lift is at the centre of this dwell period. Roughly position the cam at true lift position.

Now rotate the crankshaft clockwise to the full valve lift position (as specified on the camshaft data sheet - this figure is typically from 100 to 120 degrees after TDC), fit the timing belt or chain and set up the tensioner. Now rotate the crank clockwise until the inlet valve of number one cylinder is just off full lift position (such as 0.005" or 0.15mm). Record the figure on the timing disc from the pointer. Then continue to rotate the crank clockwise until the valve has fully opened and then closed by the same distance as previously used (0.005" or 0.15mm). Read the figure on the timing disc again. The position of full lift is the middle of these two figures. The full lift position can be calculated by adding the two figures together and dividing by two. Adjustments can then be made to the camshaft timing, using an adjustable cam pulley or offset dowels, if this figure does not agree with the one on the data sheet. Check the timing again after adjustments using the same procedure.

Having timed the camshaft, check that there is no piston to valve contact. Minimum clearance is 0.060" (1.5mm). This can only be checked by dummy building the engine with a piece of plasticine placed on the crown of the piston. As the engine is turned, the valves will indent the plasticine. The clearance is then measured as the thickness of the plasticine between the piston crown to the bottom of the valve indent. Before starting the engine, turn the engine over by hand to ensure that it turns freely. Prime the oil system and check that everything is set to ensure that the engine starts straight away. The engine must not be turned over for any length of time on the starter. Once started, do not allow the engine to idle for the first 20 minutes and keep the revs to a minimum of 2500 rpm. This

will ensure adequate lubrication of the cam and followers and reduce the contact force between the cam and follower. If any adjustments need to be made within the first 20 minutes, then shut the engine down. **DO NOT ALLOW THE ENGINE TO IDLE.** Please note that new hydraulic lifters may in some cases operate with excessive noise for a few minutes before they are fully charged with oil.

Performance Camshafts

All the Kent camshaft applications/part numbers below with the suffix 'P' are for the original pin drive oil pump/ camshaft. If you have changed your camshaft and oil pump to either 'Star' drive or 'Metro Slot', use the suffix 'S' or 'M' on the part number. All Piper cams with the suffix E are Star Drive unless otherwise stated.

To assist in selecting a suitable camshaft we have prepared a table showing their various characteristics, these will change from engine to engine and with other modifications such as carburettor or valve size. A scatter profile is where the cam timing on No.2 and 3 engine cylinders has been altered slightly to combat the poor scavenging of the Siamese port design. This will benefit both the tickover and high end performance.

The effect of a larger engine is to lower the camshaft's power range slightly. Care must be taken to ensure that installation is carried out correctly and that components all work together or you will not get the expected power output or reliability. It is essential that the new cam is fitted with new followers as they mate with the lobe that they run on and should never be used on another lobe. Lightened and Tuftrided followers wear more slowly and put less load on high lift cam lobes: They are also manufactured with a drainage hole. Another essential is the special lubricant that must be used with all new cams, it provides vital lubrication during initial starting and protects your cam from extreme wear in its first minute of use. (S/T = Special Tuning) Don't forget the camshaft assembly lubricant or the cam timing degree disc (TT2929), you will need this to set your cam timing.

KENT CAMS CAMSHAFT TYPE	PART NO.	INLET	EXHAUST INL - EXH	DURATION	CAM LIFT	DESCRIPTION
Road	KMD256	21/53	53/21	220-254°	0.263"	998cc Street Cam
Fast Road	KMD266	24/56	61/29	260-270°	0.263"-0.270"	1275cc Smooth Idle
Road Rally	KMD276	29/61	66/34	270-280°	0.293"-0.315"	1275cc Slightly Lumpy Idle Very Good Street Cam
Rally	KMD286	34/66	71/39	280-290°	0.315"-0.324"	1275cc Lumpy Idle Max Street Cam
Rally Scatter	KMD286SP	34/66	71/39	280-290°	0.315"-0.324"	1275cc Lumpy Idle Max Street Cam
Race	KMD296	39/71	76/44	296-300°	0.324"-0.340"	1275cc Race/1380cc Slightly Lumpy
Race Scatter	KMD296SP	39/71	76/44	296-300°	0.324"-0.340"	1275cc Race/1380cc Slightly Lumpy
Full Race Scatter	KMD310SP	49/81	81/49	310°	0.340"	Full Race
S/T Road	STA600S	33/65	63/31	278-274°	0.293"	Classic Road Cam
S/T Fast Road/Rally	STA731	24/64	59/29	268°	0.263"	Classic Fast Road Cam
S/T Fast Road/Rally	STA800S	24/64	59/29	268°	0.263"	Classic Fast Road Cam
PIPER CAMSHAFT TYPE	PART NO.	INLET	EXHAUST INL - EXH	DURATION	CAM LIFT	DESCRIPTION
Fast Road (Stage 2)	AHR2702E	39/73	73/39	292°	0.288"	1275cc Fast Road Cam
Fast Road	AHR270E	37/71	73/39	288°	0.277"	1275cc Road Cam
Road Rally	AHR2852E	39/73	66/32	292-278°	0.299"	1275cc Max Street/1380cc Road Cam
Rally	AHR300E	46/74	74/46	300°	0.316"	1380cc Fast Road Cam
Sprint	AHR320E	54/82	82/54	316°	0.316"	Race
Race 2	AHR3202E	62/86	86/62	328°	0.322"	Full Race
ACCESSORIES	PART NO.					DESCRIPTION
Cam Lube	KEN2					250ml Cam Lubricant
Cam Timing Disc	TT2929					360° Timing Wheel

Carburettor Jet Selection

This is a quick guide to jet selection for 1275cc Weber carburettors.

Note: Jet selections shown are a basis to work from, they may need adjustment to suit your application, this can only be carried out on a rolling road.

1275cc WEBER CARBURETTOR	40 ROAD	45 FAST ROAD	45 FAST ROAD AND SPRINT	45 RACE
Auxiliary Venturi	3.5	4.5	4.5	4.5
Choke	34	36	38	40
Main Jet	145	150	170	200
Air Cor.	175	180	180	175
Emulsion Tube	F2	F2	F2	F2/F9
Pump Jet	45	50	55	55/60
Idle Jet	45F8	50F8	55F8	55F8

Suspension

Suspension Geometry

There are five basic factors that control front suspension geometry:

- | | |
|-------------------------|------------------|
| 1. Kingpin Inclination. | 4. Camber Angle. |
| 2. Bump Steer. | 5. Tracking. |
| 3. Caster Angle. | |

Note: On a Mini only three of these can be altered easily.

Front Suspension

Kingpin Inclination

The Kingpin Inclination is not independently adjustable although it will alter as other adjustments are made.

Bump Steer

Bump steer is in fact a change in toe angle as a wheel moves up or down in its suspension travel. When a bump is encountered in a turn, the resulting toe change will cause a slight steering effect which is felt as anything from a slight "twitch" to a major direction change. This can be optimised but is far more complicated and would require specialist measuring tools.

Caster Angle

Caster angle this is left to the adjustable front tie bar kit (WPT9003X). This is quite an easy adjustment if the tie bar bushes (31G1155H road hard/31G1155VH race hard rubber or 31G1155SPK poly. bushes) are lubricated on installation, as the tie bar can actually be rotated (therefore lengthened or shortened) in situ.

Camber Angle

Camber angle is adjusted by the replacement of the lower arms with lengthened or adjustable length arms.

WPT9001X are 3/8 inch longer, giving 1.5 degrees more negative camber than standard.

WPT90012X are 1/2 inch longer, giving 2 degrees more negative camber than standard.

WPT90013X are 5/8 inch longer, giving 2.5 degrees more negative camber than standard.

C-AJU3363 rose jointed length adjustable, giving fully adjustment capabilities.

Again as with the tie bars it is advisable to use harder bushes (21A1882SPK) to achieve less free play.

Tracking

Tracking probably the most well known, is adjusted via the track rod end on the steering rack. This is not to be overlooked as with implementing the above modifications to the suspension your tracking is sure to have been affected and will require adjustment to bring back to the correct setting.

Note: If lowering the suspension or adding lots of negative camber, you will require lengthened track rod ends (GSJ158) as the standard ones may only be hanging on by a few threads.

Rear Suspension

Rear suspension, at the rear of the Mini we are really stuck with only track and camber adjustment.

Camber Angle

Camber angle is adjusted via the outer radius arm bracket. There are two types available fixed (WPT9002X) at 1.5 degrees, and adjustable (WPT90021). These adjustable brackets also allow the track to be adjusted. If purchasing the fixed camber brackets the track can be altered, to alter toe-in is quite a simple affair this is done by adding spacer shims between the radius arm outer bracket and the rear subframe and elongating the fixing holes on the underside of the radius arm bracket.

Adjusting toe-out is not so simple this requires the removal of the radius arms to allow access to the inner radius arm mount, this now requires the mounting hole for the radius arm pin to be elongated. Once the correct track has been found it will be necessary to lock this in position to stop it returning to toe-out after some suspension movement. This elongating of the inner mount brings with it another problem by raising the rear suspension. The thought of all this labour should have put off purchasing the fixed brackets and brought your attention to back to the adjustable brackets, in my view well worth the money and the sore knuckles.

Dampers, Springs & Adjustable Height Suspension

We supply three different manufacturers of suspension dampers for the Classic Mini Spax, Gaz and Koni, all of them offering dampers with adjustment facilities on both bump and rebound. Nearly all offer this facility via an adjustment knob or screw on the lower body of the damper unit, this controls both the bump and rebound. This is the easiest method of adjusting your damper.

Koni on the other hand have a different method of adjustment which requires the shock to be removed and adjusted under compression. Although this sounds like a long job this really only takes about 1 hour tops and only this long because the fuel tank has to be repositioned while removing the left hand rear damper.



Front Dampers

GAC84011X	SPAX Shock Absorber - Standard Height.
GAC84021X	SPAX Shock Absorber - Lowered Height.
GAC8405X	KONI Shock Absorber - Standard Height.
GAC8046X	KONI Shock Absorber - Lowered Height.
GAC8041XG	GAZ Shock Absorber - Standard Height.
GAC8042XG	GAZ Shock Absorber - Lowered Height.

Rear Dampers

GAC84031X	SPAX Shock Absorber - Standard Height.
GAC84041X	SPAX Shock Absorber - Lowered Height.
GAC8407X	KONI Shock Absorber - Standard Height.
GAC8408X	KONI Shock Absorber - Lowered Height.
GAC8403XG	GAZ Shock Absorber - Standard Height.
GAC8404XG	GAZ Shock Absorber - Lowered Height.

These of course are only the damper units and not the spring unit; this job on a Classic Mini is left to a rubber cone. Perfect for the job in many ways it is a bit harsh for the requirements we expect today. There are several ways to change this harshness. The cheapest way is to remove the springs and drill holes into the rubber although this could take some time with trial and error (please see Dave Vizards'... How to Modify Your Mini book part number MGL0248).

We also supply replacement spring kits that actually replace the rubber cone units completely. These are available in two different spring rates. The softer of the two kits (FAM3968X) is the one we would recommend for road use as it is disciplined over bumps and pot holes yet still gives plenty of enjoyment in the corners. The firmer of the two kits (FAM3968HX) is the kit that we would recommend for fast road, sprint and possibly some competition applications.

There is also the choice of coilover damper/spring kits (SPCK19 lowered kit and SPCK20 standard height kit). These as the name suggests are one piece units, the damper units have top and bottom (height adjustable at the bottom) platforms to facilitate the fitment of a spring around the body of the damper. With these units you can remove nearly all of the other original spring components e.g: Rubber cone, suspension trumpets and knuckle joints. These kits come with their own top and bottom mounting brackets for the front and require slight modification to the rear inner arches to allow fitment of the dampers and 1.9" diameter springs. If staying with standard rubber cones or converting to the spring replacement it is still possible to have adjustable height suspension. This is done via adjustable suspension trumpets: These trumpets replace the standard trumpets and have a threaded adjuster to allow a huge range of adjustment.

Hi-Lo's

GAC8437X	Hi-Lo Adjustable Height Suspension Kit - Front And Rear.
GAC84371	Hi-Lo Adjustable Height Cones Kit - 2 x Hi-Lo Cones And 2 x 21A423.
GAC84372	Extension Rods (Pair) - Use With GAC84371 When Fitting To Rear Suspension.
GAC84374	Front Allen Bar - Allen Head Bar For Adjusting Suspension Heights.
GAC84373	Rear Allen Bar - Allen Head Bar For Adjusting Suspension Heights.

Adjusta-Ride

GAC8432X	Adjusta-Ride Adjustable Height Suspension Kit - Front.
GAC8433X	Adjusta-Ride Adjustable Height Suspension Kit - Rear.

Useful Tools

GAC9424X	Cone Compressor Tool.
MTR4201	Caster/Camber Gauge. (This gauge allows you to correctly set up your suspension to get the best from your Mini where it excels most (the corners). Very easy to use supplied with instructions).

Note: Please remember that any change in height is going to affect other suspension geometry parameters and these will require checking and adjustment once the desired height has been reached.

Brakes

Over the 41 years of the Mini production life there have many upgrades to the braking systems. A summary of standard Mini brake fitment throughout its production life.

Drum Brakes

1959-1964 Front drum brakes with single leading shoes. Rear drum brakes. This system had only one hydraulic wheel cylinder fitted in each drum. This system was hardly adequate then and should only be kept if car is trying to retain OE specification.

1964-1985 Front drum brakes with twin leading shoes. Rear drum brakes. This system although an improvement on the single leading shoe setup is only just adequate for standard performance cars and again retaining OE specification.

Disc Brakes

1961-1964 7 inch disc brakes at the front, two pot calipers. Rear drum brakes. Fitted to the Mini Cooper 997cc. This system although discs still had a very small pad surface to disc area and because of this these were not all that good. Parts for this system are virtually impossible to find therefore making it hard to maintain.

1964-1969 7 inch disc brakes at the front, two pot calipers. Rear drum brakes. Fitted to the Mini Cooper 998cc. This system had redesigned callipers and larger pad to discs surface area. This system was better than the 997 system but for today's standards it is still a little poor. Good for standard 10 wheel applications.

1963-1974 7.5 inch disc brakes at the front, two pot calipers. Rear drum brakes. Fitted to the Mini Cooper S and Mini Clubman GT. Much larger pad to disc surface area and improved cooling efficiency. This along with a remote servo makes a very effective braking system for those who wish to keep their 10" wheels.

1974-1979 8.4 inch disc brakes at the front, two pot calipers. Rear drum brakes. Fitted to the Mini Clubman GT. The larger discs really help with the pad to disc surface area and the cooling. These systems were non served and still gave very good stopping power.

1985-2000 8.4 inch disc brakes at the front, two pot calipers. Rear drum brakes. Fitted to the Mini as standard.

1989 8.4 inch vented disc brakes at the front, four pot calipers. Rear drum brakes. Fitted to the ERA Turbo Mini.

Improving Your Mini's Brakes

Any Mini can have its brake improved by moving to the next standard upgrade, i.e: Single leading shoe to Twin leading shoe etc... But most of you will be more interested in converting either from drums to discs or from small discs to large discs or maybe even four pot calipers. First of all you should be honest with yourself with what you want from your braking system.



All of us would like to believe that we are overlooked, Eddie Irvine's (guess where I'm from) but the truth is usually that we are just spirited drivers who probably have to use our Saturday Mini race car as weekday commuter. Big discs and hard pads are great for the race track but in real life they can be noisy and juddery, and in the worst cases give poorer performance if the pads do not reach their working temperature.

The cheapest brake performance upgrade for all of the disc type systems is an upgraded pad swap. There are lots of manufacturers out there producing upgraded material pads.

Performance Brake Pads

GBP102G	EBC Green Pad Set 998 Cooper.
GBP102KV	EBC Kevlar Pad Set 998 Cooper.
GBP103G	EBC Green Pad Set Cooper S.
GBP103KV	EBC Kevlar Pad Set Cooper S.
8G8996	M1144 Pad Set Cooper S.
STR505G	EBC Green Pad Set GT & 1984-On.
STR505KV	EBC Kevlar Pad Set GT & 1984-On.
STR5051	M1144 Pad Set GT & 1984-On.
STR5052	M1155 Pad Set GT & 1984-On.
GBP258	4 Pot Metro And Alloy Calipers.
TMG309474	M1144 4 Pot Metro And Alloy Calipers.

Something usually overlooked when looking at braking systems is replacement over braided brake hoses these give you a firmer feel at the pedal as these hoses do not expand when pressurised as rubber hoses do.

If you wish to fit the ultimate in braking systems we have several 4 pot calipers and even 6 pots.

This kit is for 13 inch wheels only:

MT5411 6 Pot Vented Big Brake Kit. For 13" wheels where a no compromise front brake setup is required our big disc conversion can be used. This combines a one piece 6 pot caliper with a 265 x 18mm vented disc with separate alloy mounting bell. Supplied with fast road pads and front braided brake lines. This is a competition oriented brake upgrade as the calipers are not fitted with dust seals.



Identification Numbers

Engine Identification Numbers

850cc

8A	Austin Up To 25000.
8MB	Morris Up To 25000.
8AM	Austin & Morris 25000 On.
8AH	Austin & Morris Automatic.
8AJ	Austin & Morris closed circuit breathing.
8AK	Austin & Morris automatic with closed circuit breathing.
8WR	Wolseley Hornet & Riley Elf.
8AC	Moke.
85H/101	All variants 1969-On.

Note: Third suffix letter denotes compression type, L = Low, H = High, e.g: 8AM/U/H101 denotes high compression.

998cc

9WR	Wolseley Hornet & Riley Elf Mkll, pre-closed circuit breathing.
9AD	Austin, Wolseley Hornet & Riley Elf Mkll with remote type gearbox and closed circuit breathing.
9AE	Wolseley Hornet & Riley Elf Mklll.
99H/-101on	Wolseley, Riley, Mini 1000, Clubman 1000 1970-On & Mklll with dished piston.
99H/791	Mini 1974-On with dished piston.
99H/997	1980-On A+ block, flat top pistons, economy fitment with 2.95 final drive.
99H/A97P	A+ block with dished pistons, pre-A+ gears, 3.44 final drive & 12" wheels.
998	A+ block with centre locating tag in main cap, 1985 onwards, Flat top piston with circlip gudgeon pin retention.
99H/B81	Up To engine number 127431.
99H/C20	Up To engine number 105023.
99H/997	From engine number 127422 with 2.95 final drive 99H/A35P.

Flat top piston with press fit gudgeon pin

99H/B81	From engine number 127432.
99H/C20	From engine number 105024.
99H/D80	

Flat top pistons with press fit gudgeon pin, lead-free cylinder head

99H/G30 or G32 or G33
99H/F15 or F16
99H/E20 or E21
99H/D81
LBB10089

Dished pistons with circlip gudgeon pin retention

99H/B83P	Up To engine number 102908.
99H/B84P	Up To engine number 100216.

Dished pistons with press fit gudgeon pin

99H/B83P	From engine number 102909.
99H/B84P	From engine number 100217.

Dished pistons with press fit gudgeon pin, lead-free

99H/G31
99H/E22
LBB10175

1100cc (1098cc)

10AMW/Ta	Clubman Estate and Austin 110 (ADO16 shape).
10H791	Clubman Saloon.
10H/-/H	All Austin 1100 2 & 4 door derivative Saloons (ADO16 shape).
10GR/Ta/H	MG1100 (ADO16 shape).
10GRB/Ta/H	MG1100 & Wolseley 1100 (ADO16).
10V/Ta/H	Vanden Plas 1100 (ADO16 shape).

997 Cooper

9F/Sa/H101	To 2637 except 19201 To 20410 (became 1070S).
------------	---

998 Cooper (January 1964 On)

9FA/Sa/H	MkI Austin pre-closed circuit breathing.
9FD/Sa/H	MkI Morris up to engine number 1934, all Austin Mkll closed circuit breathing and

9FD/Xe/H	Morris Mkll from engine number 1935-33660 with closed circuit breathing.
99/-/H	4 synchro gearbox introduced. Last of manufacture 1969.

Cooper S Variants

970cc

9F/Sa/X	Engine numbers 29001-29003 with Tecalmit filter.
9FD/Sa/X	Closed circuit breathing introduced with Tecalmit filter.
9FE/Sa/X	Closed circuit breathing, oil filter with oil light switch introduced.
9F/Sa/X	Engine numbers 29039-30029 Purolator oil filter with oil light switch and closed circuit breathing.

1070cc

9F/Sa/H	Engine numbers 26501 To 33660 and 19201 To 20410.
9FD/Sa/H	Engine numbers 33661 To 33948 with closed circuit breathing and oil light switch in oil filter head.

1275cc

9F/Sa/Y	Engine numbers 31001 To 31504 pre-closed circuit breathing with Purolator oil filter.
9FD/Sa/Y	Closed circuit breathing with oil light switch on filter housing after engine no.32178.
9FE/Sa/Y	Closed circuit breathing with oil light switch on Purolator filter housing and piston design change.
9F/Sa/Y	From engine number 32378 onwards, closed circuit breathing with Purolator filter with oil light switch, Aeg510 camshaft introduced at engine number 40006, cross-drilled EN40B crank at engine number 42730 and metal dipstick tube at engine number 42548 onwards.
12H397	Cooper S Mklll with dynamo, negative earth and Tuftrided EN16T crankshaft.
12H398	Cooper S Mklll with alternator, negative earth and Tuftrided EN16T crankshaft.

Note: Only Cooper S engines with prefix '9F' had EN40B forged steel, nitrided crankshafts. All other A-series engines had EN16T steel crankshafts which were only Tuftrided on Mklll 'S' and Austin 1300GT (ADO16) and were stamped 12G1683.

1275cc Solid Wall Block (No Tappet Chest Covers)

12G/Ta/H	ADO17 shape Wolseley, Riley, MG & Vanden Plas fitted with S rods.
12H379	1275GT with dynamo, negative earth, electric fuel pump and remote gearbox.
12H380	1275GT with alternator, negative earth, electric fuel pump and remote gearbox.
12H389	1275GT with dynamo, negative earth, mech. fuel pump and remote gearbox.
12H390	1275GT with alternator, negative earth, mech. fuel pump & remote gearbox.
12H706	1275GT with alternator, negative earth, mech. fuel pump & rod change gearbox.
12H397	Cooper S Mklll with dynamo and negative earth.
12H398	Cooper S Mklll with alternator and negative earth.
12H/-/	1275 Austin ADO16 & Allegro.
12H610/635	Innocenti Mini with duplex cam drive gears and 11-stud head.
12H719/832	Innocenti Mini with simplex cam drive gears and 11-stud head.



1275cc 1990 Onwards (12A Numbers)

12A/2A	Carburettor type.
12A/2B	Carburettor and catalyst type.
12A/2D	SPI (Single Point injection - TBI, throttle body injection) with 9.4-1 CR.
12A/E	SPI (TBI - throttle body injection) with 10-1 CR.

With the following suffixes:

F53	10.0-1CR, 3.105 final drive, catalyst, oil cooler.
F75	9.4-1CR, SPI, 3.105 final drive, closed loop catalyst.
F76	9.4-1CR, automatic with closed loop catalyst.
F77	10.0-1CR, SPI Cooper, 3.2 final drive, closed loop catalyst.
G01	10.0-1CR, 3.105 final drive, catalyst, no oil cooler.
G03	9.4-1CR, 3.105 final drive, catalyst, (May 1992-On).
G04	9.4CR, 2.76 final drive, catalyst, French only spec.
G05	9.4-1CR, automatic with catalyst.

Factory Replacement Engine Reference Numbers

(i.e. New, Gold Seal Units)

8G28	850cc - Oil feed to primary gear type crank with 1.375-inch tail shaft.
8G35	850cc - Deva bush conversion type crankshaft with 1.375-inch tail shaft.
8G45	850cc - Gold Seal, 1.5-inch self oiling primary gear/crankshaft type.
GSE1101E	850cc - Gold Seal unit.
RKM1101E	850cc - Silver Seal unit.
BHM1307E	850cc - Gold Seal unit, 85H prefix replacement.
8G18	997cc Cooper - Oil feed to primary gear type crankshaft.
8G29	997cc Cooper - Deva bush type primary gear and crankshaft.
8G36	997cc Cooper - Oil feed converted primary gear and crankshaft.
8G33	998cc Cooper - Fitted with 28G193 (12G202) cylinder head.
8G40	998cc Cooper - 28G222 (12G295) cylinder head introduced.
8G42	998cc Cooper - Closed circuit breathing rocker cover and side plates.
8G49	998cc Cooper - Purolator oil filter with oil light switch introduced.
GSE1103E	998cc Cooper - Gold Seal unit, was RKM1120E Silver Seal.
RKM1103E	998cc Cooper - Silver Seal unit.
8G57	998cc - New from 1969 and exchange for all pre-A+ To 1981.
GSE1102E	998cc - Gold Seal unit, was RKM1119E Silver Seal unit, pre-A+ To 1981.
RKM1119E	998cc - Silver Seal unit, replaced by RKM1102E, pre-A+ To 1981.
BHM1232	998cc - Low compression dished piston, CAM6267 camshaft, early cylinder head and crankshaft main bearings with side locator tag, A+.
BHM1377	998cc - High compression flat top piston, CAM4717 camshaft, early cylinder head and crankshaft main bearings with side locator tag, A+.
BHM1458	998cc - Low compression piston, CAM6267 camshaft, late A+ cylinder head and crankshaft main bearings with central locator tag, A+.
BHM1460	998cc - High compression press-fit wrist pin piston, CAM4717 camshaft, late A+ cylinder head and crankshaft main bearings with central locator tag, A+.
LBB10089	998cc - Low compression press-fit wrist pin piston, CAM6267 camshaft, lead free late A+ cylinder head and crankshaft main bearings with central locator tag, A+.
8G156E	1100cc - Clubman, Special and Austin 1100 (AD016).
RKM1150E	1100cc - Silver Seal unit for Clubman and Special.
RKM1151E	1100cc - Silver Seal unit for Clubman and Special.
BHM1042	1100cc - New and Gold Seal units for Clubman and Special, 1974-80.
BHM1229	1100cc - New & Gold Seal units for Clubman & Special, A+ Block, 1980-On.
8G38	970cc - Gold Seal unit, pre-closed circuit breathing, Cooper S.
8G41	970cc - Gold Seal unit with closed circuit breathing side plates, Cooper S.
8G46	970cc - Gold Seal unit with oil light switch in filter housing, Cooper S.
8G133	1070cc - Gold Seal unit, pre-closed circuit breathing, Cooper S.
8G153	1070cc - Gold Seal unit with closed circuit breathing side plates, Cooper S.
8G145	1275cc - Pre closed circuit breathing unit, Cooper S.
8G154	1275cc - Closed circuit breathing side plates unit, Cooper S.
8G155	1275cc - Oil filter housing with oil pressure light switch, Cooper S.
8G174	1275cc - Fitted with AEG510 camshaft, Cooper S.

38G464	1275cc - Introduced in 1970, most were fitted with EN16 Tuftrided crankshaft.
8G200	1275cc - New and Gold Seal units Clubman 1275GT.
38G527	1275cc - New and Gold Seal units for engine numbers prefixed 12H706, 12H707 and 12H831 for Clubman 1275GT.
RKM1130E	1275cc - Silver seal unit, was RKM1112E, for Clubman 1275GT, pre-A+.
RKM1152E	1275cc - Silver Seal unit for Clubman 1275GT, pre-A+.
RKM1112E	1275cc - Silver Seal unit for Clubman 1275GT, pre-A+.
BHM1220	1275cc - A+ unit for Clubman 1275GT.
8G199E	1275cc - Gold Seal unit with Duplex cam drive gears for 1300GT (AD016) and Innocenti 1300, 11-stud cylinder head.
38G559E	1275cc - Gold Seal unit with Simplex cam drive gears for engine numbers prefixed 12H719 and 12H832, for 1300GT (AD016) and Innocenti 1300, 11-stud cylinder head.
GSE1109E	1275cc - Gold Seal unit for 1300GT (AD016) and Innocenti 1300, 11-stud cylinder head.
RKM1133E	1275cc - Silver Seal unit for 1300GT (AD016) and Innocenti 1300, 11-stud cylinder head.
BHM1209E	1275cc - Gold Seal unit, replaced all Innocenti 1300 engines from engine numbers prefixed 12H610, 12H635 and 12H832.

Note: All engines pre-fixed with 'GSE' or 'RKM' were of UNIPART origin when BL split it's parts organisation.

'E' at the end of a part number denotes it is a reconditioned, service unit only (basic engine assembly with no ancillaries).

'N' at the end of a part number denotes a brand new unit.

Standard Production Crankshaft Identification

Below is a list of crankshaft identification data by forging or stamped numbers - yes, contrary to what many say/express, all cranks are forged. None are cast. They wouldn't last 2 minutes in an engine if they were cast - they'd be way too brittle. The differences are in the material used, finish machining detail and any heat treatments applied.

It is by no means complete and utterly correct/infalible since Austin/Morris, British Leyland, Leyland Cars, Austin Rover, Rover and Ital, were seriously prone to not adhering to specifications and applications lists. But it is better than nothing at all!

22A62	850cc - Early type with oil feed for primary gear, 1.375" dia. tail.
22A63	850cc - Early type with oil feed for primary gear, 1.375" dia. tail.
22A298	850cc - Early type thin-nose crank, 1.375" dia. tail.
12A670	850cc - Later type with 1.5" dia. tail.
12A298	997cc - Original Cooper crank.
12A375	997cc - Cooper crank with oil feed hole for primary gear.



12A595	998cc - Early EN16T spec.
12A1451	998cc - Later, pre-A+ EN16T spec.
BHM1436	998cc - A+ spec, 1985-On (12A1451 forging).
12G82	1100cc - Standard across the board transverse A-series EN16T spec.
AEG330	970cc - EN40B forged, non-cross drilled.
AEG171	1071cc - EN40B forged, non-cross drilled.
AEG315	1275cc - Cooper S, EN40B forging, Nitrided, 1.625" dia. big ends, non-cross drilled.
AEG316	1275cc - Cooper S, EN40B forging, Nitrided, 1.625" dia. big ends, non-cross drilled.
AEG479	1275cc - Cooper S, EN40B forging, Nitrided, 1.625" dia. big ends, cross drilled.
AEG480	1275cc - Cooper S, EN40B forging, Nitrided, 1.625" dia. big ends, cross drilled.
AEG623	1275cc - Cooper S, EN16T forging, Tufrided, 1.625" dia. big ends.
12G1287	1275cc - Non-S, EN16T with 1.625" dia. big ends.
12G1288	1275cc - Non-S, EN16T with 1.625" dia. big ends.
12G1505	1275cc - Non-S, EN16T with 1.75" dia. big ends.
12G1683	1275cc - 12G1505 forging, non-S, EN16T with 1.75" dia. big ends, Tufrided.
CAM6232*	1275cc - Rolled-fillet radius on bearing journals, A+ with 1.75" dia. big ends.

*Note: This crankshaft was used in all 1275cc, A+, transverse engines including the MG Metro Turbo. There are various unconfirmed opinions on the subject of whether the material was any different, or whether it was heat treated differently. It would appear that early Turbos had just the standard spec, EN16T, non-heat treated type fitted.

Later examples certainly appear to have been heat-treated, probably an up-to-date, emissions-friendly version of 'Tufriding' (a recognised ICI registered process) - possibly a forerunner to Nitro-Carburising. These crankshafts have a distinctly charcoal-grey/black finish - mostly detectable on the webs, water pump/alternator pulley end and in the rolled fillet radii. The later being fairly 'deep' and very even.

Compression ratio is hugely important to an engines performance, work out your compression ratio and the combustion chamber volume you need, make sure the head you are buying - especially if its of the shelf - has the right volume. David Vizards book 'Tuning the a series engine' has invaluable information in it concerning this.

Valve sizes are no guarantee of flow, just because it has big valves does not mean it flows big, take a valve out and look into the port, the guide should be bullet nosed, and is the seat unnecessarily wide, maybe a wide 'pre cut' to the seat? Are the seats cut accurately for height, run your fingers across inlet and exhaust differences - are they the same for all the chambers?

Look down into the ports, is there a raised section around the guide (a boss), all our heads have these removed for full flow is the finish consistent across all the ports, and not highly polished - a polished finish can actually reduce power due to fuel being drawn out of the air, due to surface tension.

Hold a suitable gasket up to the manifold and chamber faces, have the chambers and ports been accurately modified? Usually on cheaply modified heads the ports are flared out to meet the gasket giving the appearance but not performance.

Cylinder Head Casting Numbers

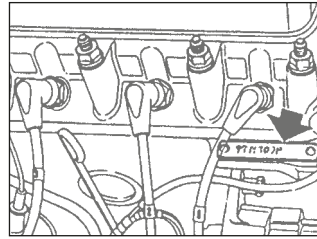
Number	Inlet Dia.	Exhaust Dia.	Nom. cc	Standard fitment
2A628	1.0625"/26.99	1.00"/25.4	24.5	850, 998 Mini & 948 Sprite
2A629	1.0625"/26.99	1.00"/25.4	24.5	948, A35 & Morris Minor
12A1456	1.0625"/26.99	1.00"/25.4	24.5	850, 998 Mini & 948 Sprite
12G202	1.156"/29.36	1.00"/25.4	26.1	997 Cooper, Austin 1100 Mk
CAM4180	1.0625"/26.99	1.00"/25.4	25.5	998 Mini A+ (80 on) & lead free
12G206	1.218"/30.93	1.00"/25.4	28.3	Early 998 Cooper, MG1100
12G295	1.218"/30.93	1.00"/25.4	28.3	998 Cooper, MG1100
12A185	1.401"/35.6	1.22"/31.0	21.4	First Mkl Cooper S
AEG163	1.401"/35.6	1.22"/31.0	21.4	Later Mkl & MkII Cooper S
12G940*	1.312"/33.33	1.15"/29.2	21.4	1275GT, Austin 1300, late A+ model inc. Turbo not MG Metro
12G940	1.401"/35.6	1.15"/29.2	21.4	12G1805 Stamped on flat area by thermostat MG1300, 1300GT & MkIII Cooper S as above plus MG Metro
12G940*	1.401"/35.6	1.15"/29.2	21.4	as above plus MG Metro

*Note: A+ head castings - despite having the same 12G940 casting number - are considerably different in appearance, loosing the flat area behind the thermostat housing and around the rest of the rocker/head stud areas to a sculptured look - where these areas are replaced by a 'sunken' cast finish.

The A+ castings were introduced with the appearance of the Metro in 1980, although some late 1275GTs 1979-On had them fitted. Generally they are easily recognised by their colour - a putrid yellow on the small-bore castings and bright red on the large-bore ones, a paint finish that is VERY difficult to remove, even in a chemical tank. The MG Metro Turbo shares the same valve sizes with the other non-'big valve' 12G940 variants but has 8mm valve stems, sodium-filled exhaust valves.

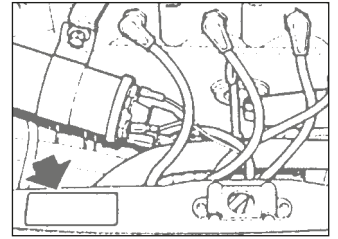
A+ heads generally have three collet grooves in the valves, collets are 14-degree cone taper instead of the 10-degree on single groove collets (so parts are not interchangeable) and the top-caps have a raised ridge around the collet hole.

Car Identification



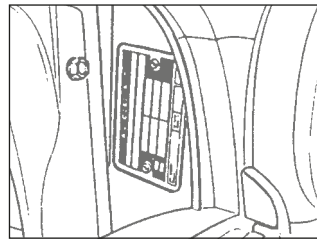
Engine Numbers

The engine number is located immediately above the alternator.



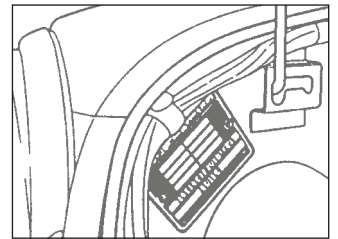
Cars Produced Up To 1979

The commission number can be found on a red plate fitted to the bonnet slam panel.



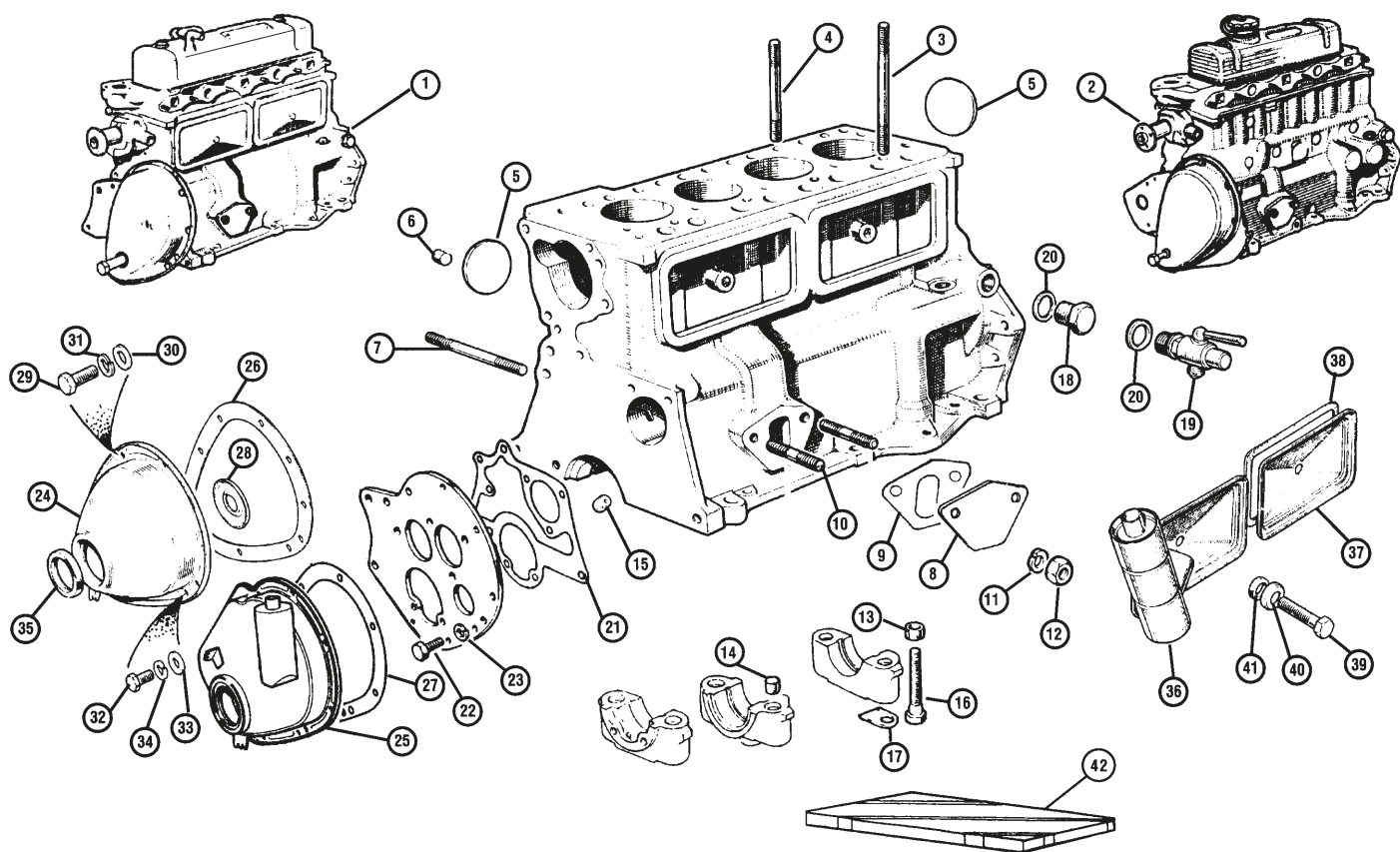
Cars Produced Between 1980-84

In 1980 the use of the vehicle identification numbers was introduced. The VIN plate is located on the left hand flieth, in front of the radiator.



Cars Produced After 1984

The VIN plate can be found fitted to the right hand flieth, near the bonnet prop locating bracket.



ill.	Part Number	Price £ea.	Description	Req.	Details
Replacement Engines					
1	8G57E	£1,224.60	ENGINE, 998cc, rebuilt	1	pre A+

Engine Units (Lead Free)

Abbreviations for replacement engines: HC = High Compression, LC = Low Compression

1	LBB10175E	£1,545.00	ENGINE, 998cc, exchange	1	LC A+
	LBB10089E	£1,545.00	ENGINE, 998cc, exchange	1	HC A+
2	LBB10399E	£2,160.00	ENGINE, 1275cc, exchange	1	Cooper 1300cc & SE
	MT1101	NCA	ENGINE, 1293cc, exchange	1	A+
	MT1102	NCA	ENGINE, 1293cc, exchange	1	A series
	MT1103	NCA	ENGINE, 1380cc, exchange	1	A+
	MT1104	NCA	ENGINE, 1380cc, exchange	1	A series

Note: Old units must be clean and in a re-buildable condition. Old units will be checked before refunding any surcharge. If you wish to convert to lead free fuel, you will need to re-set the ignition timing.

Cylinder Block Components

3	CAM150	£5.80	STUD, cylinder head, long	4	
	AEG248	£11.40	BOLT, cylinder head	1	Cooper S only
4	CAM151	£3.50	STUD, cylinder head, short	5/4	qty. reduced with TAM1617
	TAM1617	£8.40	STUD, cylinder head	1	when coil bracket fitted
	TMG10864	£186.00	STUD KIT, competition	1	9 studs and nuts, (Kent Cams)
	MGS10864	£250.00	STUD KIT, competition	1	11 studs and nuts, (Kent Cams)
	AHT280	£80.90	STUD KIT, competition	1	11 studs and nuts EN24 Nickel Chrome Moly
5	2K8169	£0.90	CORE PLUG, (1 5/8")	4	pre A+ models
	AEC876	£1.70	CORE PLUG, (1 5/16")	5	all A+ models
	AEH592	£1.26	CORE PLUG, (1.647)	4	Cooper S
6	2K1345	NCA	PLUG, oil release	2	To 1985
	TAM2009	NCA	PLUG, oil release	2	1985-On
7	CHS2613	£1.55	STUD, filter head to block	2	all 998cc models
	LYG10008	£2.60	SCREW, filter head to block	2	Cooper 1300cc
	BH605301	£2.05	BOLT, filter head to block	2	paper element
8	2A265	£4.50	BLANKING PLATE, fuel pump	1	when fitting electric
	2A265K	£6.30	BLANKING PLATE KIT, fuel pump	1	pump (Includes blanking plate, gasket & hardware).
9	2A113	£0.62	GASKET, fuel pump/blanking plate*	1	
10	CHS2515	£1.43	STUD, fuel pump	2	
	SH505071	£0.47	BOLT, fuel pump/blanking plate	2	Cooper 1097cc (All models except vehicles prior to engine number 12a/15633. Also suitable for pre A+ engines if used with original type blanking plate).
11	GHF332	£0.40	WASHER, locking	2	
12	GHF201	£0.14	NUT	2	
13	2A54	£0.68	COLLAR, main cap location	6	all 998cc models
14	12G1268	£5.30	DOWEL, main cap	6	Cooper 1300cc
15	1A1964	£2.80	RESTRICTOR, camshaft oil feed	1	
16	12A1910	NCA	BOLT, main cap	6	all 998cc models
	12G1398	£3.20	BOLT, main cap	6	Cooper 1300cc
17	6K927	£1.20	LOCKTAB, main bearing	6	pre A+ 998cc only
	CMS1000	£8.70	MAIN STRAP, centre 1000	1	the main cap must be machined (Includes: longer high tensile bolts).
	CMS1300	£8.70	MAIN STRAP, centre 1300	1	the main cap must be machined (Non S inc: longer high tensile bolts).

Note: Centre main straps are used to help reduce flexing in the crank on modified engines.

18	53K2853	£6.90	PLUG, blanking	1	
19	3H576	£21.70	TAP, block draining	1	alternative to 53K2853
20	6K638	£0.30	WASHER	1	
21	12G619B	£1.43	GASKET, front plate*	1	without tensioner
	GUG705554GM	£1.80	GASKET, front plate	1	with tensioner
22	GHF120	£0.30	SCREW, front plate to main cap	2	998cc
	53K2016	NCA	SCREW, front plate to main cap	2	Cooper 1300cc
	AEA687	£1.04	SCREW SET, front plate to main cap	2	when duplex fitted
23	GHF332	£0.40	WASHER, locking	2	998cc
	WE600041	£0.47	WASHER, locking	2	Cooper 1300cc
24	12G2506	NCA	TIMING COVER, pre tensioner	1	998cc pre A+
25	CAM4904	NCA	TIMING COVER, pad type tensioner	1	
	CAM4868	NCA	TIMING COVER, with breather	1	Cooper 1300cc
	LJR10168	£64.50	TIMING COVER, with breather	1	1991-On
26	12A956B	£1.48	GASKET, timing cover*	1	without tensioner
27	GUG705550GM	£1.70	GASKET, timing cover	1	with tensioner
28	12A1148	£3.80	OIL THROWER	1	

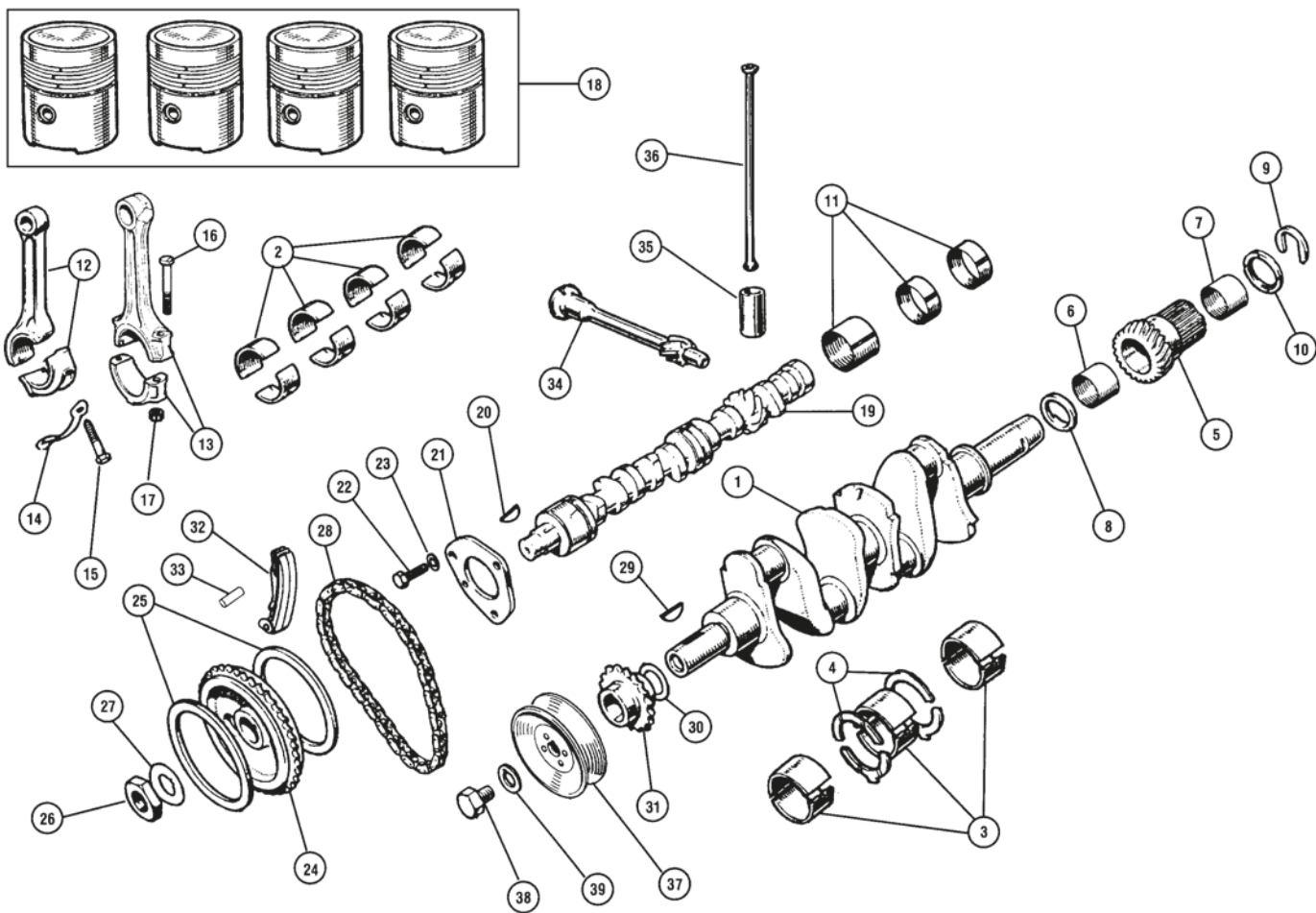
ill.	Part Number	Price £ea.	Description	Req.	Details
29	SH604031	£1.10	SCREW, cover to front plate	6	
30	GHF300	£0.22	WASHER	6	
31	GHF331	£0.38	WASHER, locking	6	
32	GHF120	£0.30	SCREW, cover to block	5	
33	GHF301	£0.24	WASHER	5	
34	GHF332	£0.40	WASHER, locking	5	1991-On
35	88G561	£2.15	OIL SEAL, timing cover*	1	998cc model
	LUF10006	£6.10	OIL SEAL, timing cover	1	1300cc 1991-On
36	12A1212	£22.00	TAPPET COVER, with breather	1	
37	12A1386	NCA	TAPPET COVER, no breather	1	early 1970's
38	GUG5505GM	£1.36	GASKET, tappet cover*	2	& 1991-On
39	BH605101	£0.95	BOLT, tappets cover	2	998cc models
40	12A1177	£1.20	CUP WASHER	2	
41	12A1176	£1.16	SEAL*	2	
	MRC1980A	£1.21	SEAL*	2	alternative to 12A1177 & 12A1176

*Note: Gaskets and seals marked are included in the gasket sets shown below.

42	GUG1543CS	£40.60	GASKET SET, conversion	1	998cc pre A+
	GUG1543CSZ	£16.30	GASKET SET, conversion	1	998cc pre A+
	GUG1509CS	£13.50	GASKET SET, conversion	1	998cc A+
	GUG701615CS	NCA	GASKET SET, conversion	1	1275cc
	AJM206Z	£17.80	GASKET SET, conversion	1	1275cc
	GUG701619CS	£42.80	GASKET SET, conversion	1	Cooper 1300cc

Engine Paints

CCEP3A	£18.70	ENGINE PAINT, BMC green	1	spray can
CCEP3ABR	£22.50	ENGINE PAINT, BMC green	1	brush
CCEP4	£18.70	ENGINE PAINT, black	1	spray can
CCEP4BR	£22.50	ENGINE PAINT, black	1	brush
CCEP10	£18.70	ENGINE PAINT, red	1	spray can
CCEP10BR	£22.50	ENGINE PAINT, red	1	brush
CCEP11	£18.70	ENGINE PAINT, yellow	1	spray can
CCEP11BR	£22.50	ENGINE PAINT, yellow	1	brush



ill.	Part Number	Price £ea.	Description	Req.	Details
Internal Engine Components					
1	8G2733R	£432.90	CRANKSHAFT	1	998cc To 1984 inc: bearings
	BHM1436	NCA	CRANKSHAFT	1	998cc 1985-On
	12A1451	NCA	CRANKSHAFT	1	998cc
	CAM6232	NCA	CRANKSHAFT	1	Cooper 1300cc

Note: These crankshafts are also available on an exchange basis, they are supplied with bearings and thrust washers to the appropriate size.

2	8G2198	£18.40	BEARING SET, con rod, std	1	850cc
	8G2198/10	£18.40	BEARING SET, con rod, 0.010"	1	998cc & 1098cc
	8G2198/20	£18.40	BEARING SET, con rod, 0.020"	1	
	8G2198/30	£18.40	BEARING SET, con rod, 0.030"	1	
	8G2198/40	£18.40	BEARING SET, con rod, 0.040"	1	
	8G2553	£28.30	BEARING SET, con rod, std	1	Cooper 1300cc
	8G2553/10	£28.30	BEARING SET, con rod, 0.010"	1	
	8G2553/20	£28.30	BEARING SET, con rod, 0.020"	1	
	8G2553/30	£28.30	BEARING SET, con rod, 0.030"	1	
	8G2553/40	£28.30	BEARING SET, con rod, 0.040"	1	
3	8G2332	£31.30	BEARING SET, main, std	1	998cc A and A + To 1984
	8G2332/10	£31.30	BEARING SET, main, 0.010"	1	locating lip on both halves
	8G2332/20	£31.30	BEARING SET, main, 0.020"	1	
	8G2332/30	£31.30	BEARING SET, main, 0.030"	1	
	8G2332/40	£20.20	BEARING SET, main, 0.040"	1	
	8G2391	£26.70	BEARING SET, main, std	1	1098-1275cc
	8G2391/10	£26.70	BEARING SET, main, 0.010"	1	GT 1969-80, locating
	8G2391/20	£26.70	BEARING SET, main, 0.020"	1	tabs on edge of
	8G2391/30	£26.70	BEARING SET, main, 0.030"	1	upper and lower
	8G2391/4	£22.20	BEARING SET, main, 0.040"	1	halves
	BHM1573	£42.60	BEARING SET, main, std	1	998cc A + 1984-On
	BHM1573/10	£42.60	BEARING SET, main, (0.010")	1	these bearings
	BHM1573/20	£42.60	BEARING SET, main, (0.020")	1	were used until the
	BHM1573/30	NCA	BEARING SET, main, (0.030")	1	introduction of
	BHM1573/40	NCA	BEARING SET, main, (0.040")	1	colour coding
	BHM1574	£43.50	BEARING SET, main, std	1	1275cc A + 1990-On,
	BHM1574/10	£43.50	BEARING SET, main, 0.010"	1	locating tabs on
	BHM1574/20	£43.50	BEARING SET, main, 0.020"	1	edge of upper half
	BHM1574/3	£48.00	BEARING SET, main, 0.030"	1	and centre of
	BHM1574/40		BEARING SET, main, 0.040"	1	lower half
	LEB10001CN	NCA	BEARING, upper/red	3	998cc, each
	LEB10002CNX	NCA	BEARING, lower/red	3	engine No:
	LEB10001HE	NCA	BEARING, upper/green	3	99HD81/105361 On
	LEB10002HE	NCA	BEARING, lower/green	3	99HE20/111592 On
	LEB10001FM	NCA	BEARING, upper/yellow	3	99HE21/102215 On
	LEB10002FMK	NCA	BEARING, lower/yellow	3	99HE22/104631 On
					99H F15-F16-F32- G30-G31-G32-G33- G34-G39
	CDU4062	NCA	BEARING, upper/red	3	
	CDU4065	NCA	BEARING, lower/red	3	
	CDU4063	NCA	BEARING, upper/green	3	
	CDU4063/10	£18.20	BEARING, upper/green (+0.010")	3	Cooper 1300cc, each
	CDU4066	NCA	BEARING, lower/green	3	
	CDU4066/10	£7.50	BEARING, lower/green (+0.010")	3	
	CDU4064	NCA	BEARING, upper/yellow	3	
	CDU4067	NCA	BEARING, lower/yellow	3	
4	BHM1292	£12.90	THRUST WASHER SET, (4), (std)	1	
	BHM1292/3	NCA	THRUST WASHER SET, (4), (0.003")	1	all 998cc models
	BHM1292/10	NCA	THRUST WASHER SET, (4), (0.010")	1	
	BHM1292/30	NCA	THRUST WASHER SET, (4), (0.030")	1	
	BHM1293	£12.90	THRUST WASHER SET, (4), (std)	1	
	BHM1293/5	£12.90	THRUST WASHER SET, (4), (0.005")	1	Cooper 1300cc
	BHM1293/30	£20.40	THRUST WASHER SET, (4), (0.030")	1	
5	22A1493	£150.30	PRIMARY GEAR, 24 teeth	1	998cc pre A+
	DAM8888	£192.40	PRIMARY GEAR, 29 teeth	1	998cc A+
	22G1053	£220.00	PRIMARY GEAR, 24 teeth	1	1275cc pre A+
	DAM8890	£310.20	PRIMARY GEAR, 29 teeth	1	Cooper 1300cc
	CSTR122	£126.40	PRIMARY GEAR, 22 teeth	1	1275cc s/cut EVO (Use this straight cut gear with EVO idler CSTR30/A/T/TA and input CSTR230/240/250).
	CSTR123	NCA	PRIMARY GEAR, 23 teeth	1	1275cc s/cut EVO (Use this straight cut gear with EVO idler CSTR30/A/T/TA and input CSTR230/240/250).

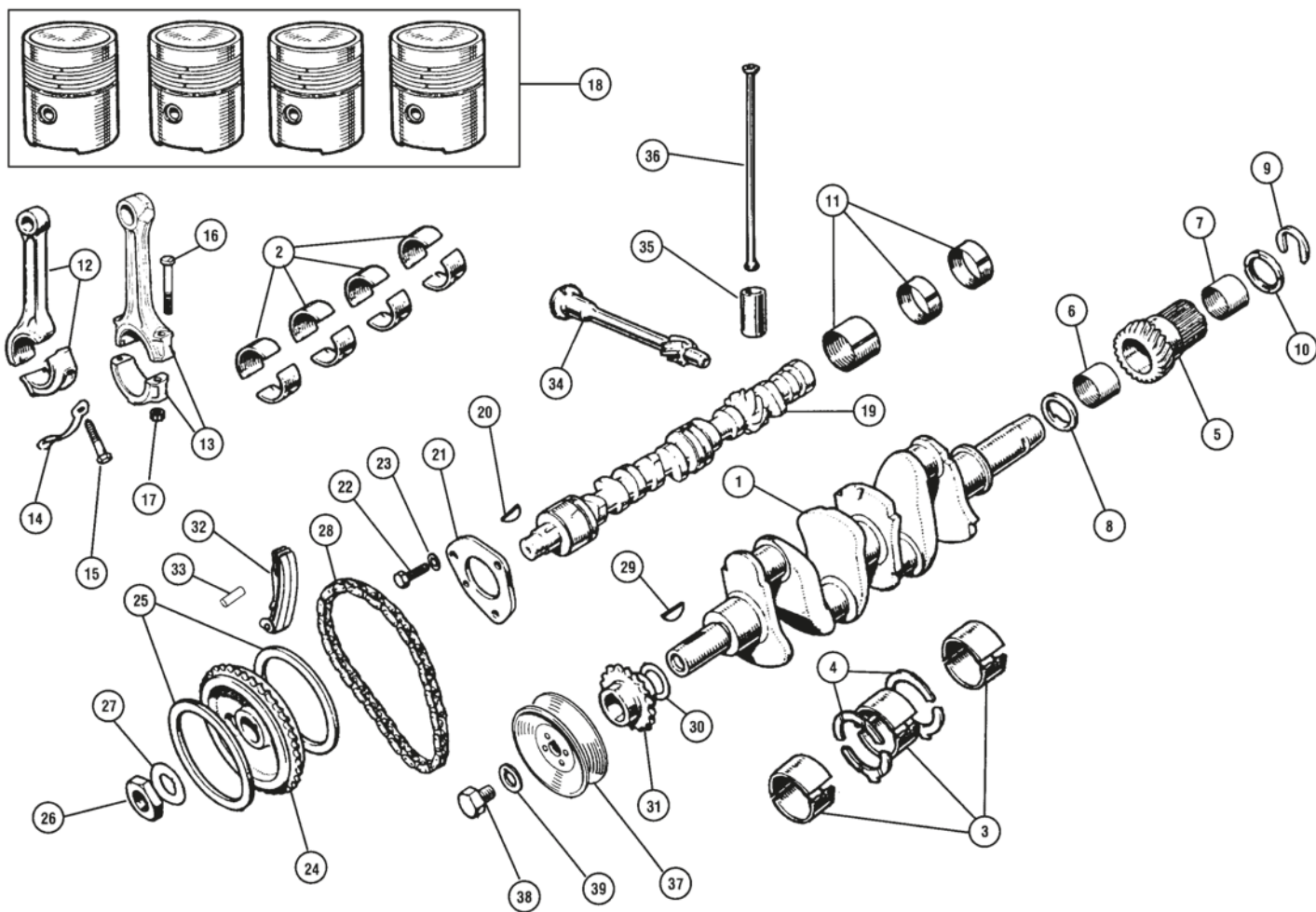
Please note: EVO drop gears are interchangeable to give different ratios. Easier than changing differential ratios.

6	22G109	£12.30	BUSH REAR, primary gear	1	
7	DAM8887	£20.20	BUSH FRONT, primary gear	1	small bore
	DAM8889	£16.30	BUSH FRONT, primary gear	1	large bore
	DAM8889X	NCA	BUSH FRONT, primary gear	1	large bore floating
	MRAC104	£218.60	DROP GEARS S/C, straight cut set	1	1-1 ratio 1275cc A+

8	22A321	£16.60	THRUST WASHER, (0.110/0.112")	1	
	22A322	NCA	THRUST WASHER, (0.112/0.114")	1	
	22A323	£22.00	THRUST WASHER, (0.114/0.116")	1	all 998cc models
	22A324	NCA	THRUST WASHER, (0.116/0.118")	1	
	22A450	NCA	THRUST WASHER, (0.118/0.120")	1	
	DAM6490	£61.40	THRUST WASHER, (0.112/0.114")	1	
	DAM6486	£32.50	THRUST WASHER, (0.114/0.116")	1	
	DAM6487	£48.00	THRUST WASHER, (0.116/0.118")	1	Cooper 1300cc
	DAM6488	NCA	THRUST WASHER, (0.118/0.120")	1	
	DAM6489	NCA	THRUST WASHER, (0.120/0.122")	1	
9	22A319	£9.70	'C' CLIP, primary gear retainer	1	
10	88G549	NCA	THRUST WASHER, rear	1	
11	BHM1211	£24.30	BEARING SET, camshaft	1	all 998cc models
	BHM1210	£16.90	BEARING SET, camshaft	1	Cooper 1300cc
12	12G123	£68.40	CON ROD, numbers 2 & 4	2	998cc with 'floating'
	12G126	£67.50	CON ROD, numbers 1 & 3	2	gudgeon pin
	12A1997	£152.40	CON ROD, numbers 2 & 4	2	998cc A+ with 'press
	12A1999	£152.40	CON ROD, numbers 1 & 3	2	fit' gudgeon pin
13	BHM1137	NCA	CON ROD, (set of 4)	1	Cooper 1300cc
	AEG624	NCA	CON ROD, (single)	4	Cooper S 1.625 big ends
14	2A660	£1.16	LOCK TAB	4	pre 998cc A+
15	12G2217	£8.10	BOLT, big end	8	
	CAM6126	£5.50	BOLT, big end	8	998cc A+
	TMG10880	NCA	BOLT, big end, uprated	8	848-1098cc
16	LFH10006	£5.70	BOLT, big end	8	Cooper 1300cc
	MG510880	£150.60	BOLT, big end uprated (Car set supplied with nuts).	1	Cooper S 1275cc 12G engine
	TMG10781	£128.40	BOLT, big end uprated (Car set supplied with nuts).	1	Pre A+ 1275cc 12H engine
17	13H5872	£2.16	NUT, big end bolt	8	Cooper 1300cc
	AEG147	£2.21	NUT, big end bolt	8	Cooper S 1071cc & 1275cc
18	12A120	£181.60	PISTON SET, 8.3:1 CR, dished, std	1	
	12A120/20	£181.60	PISTON SET, 8.3:1 CR, dished, +20	1	848cc,
	12A120/30	£181.60	PISTON SET, 8.3:1 CR, dished, +30	1	5 ring,
	12A120/40	£181.60	PISTON SET, 8.3:1 CR, dished, +40	1	pinch bolt
	12A120/60	£181.60	PISTON SET, 8.3:1 CR, dished, +60	1	
	ADU3922	£177.60	PISTON SET, 8.3:1 CR, dished, std	1	
	ADU3922/20	£177.60	PISTON SET, 8.3:1 CR, dished, +20	1	998cc,
	ADU3922/30	£177.60	PISTON SET, 8.3:1 CR, dished, +30	1	4 ring,
	ADU3922/40	£177.60	PISTON SET, 8.3:1 CR, dished, +40	1	circlip fit
	ADU3922/60	£177.60	PISTON SET, 8.3:1 CR, dished, +60	1	
	CPS1015	£220.20	PISTON SET, 8.4:1/9.1:1 CR, flat, std	1	
	CPS1015/20	£220.20	PISTON SET, 8.4:1/9.1:1 CR, flat, +20	1	998cc,
	CPS1015/30	£220.20	PISTON SET, 8.4:1/9.1:1 CR, flat, +30	1	3 ring,
	CPS1015/40	£220.20	PISTON SET, 8.4:1/9.1:1 CR, flat, +40	1	circlip fit
	CPS1015/60	£220.20	PISTON SET, 8.4:1/9.1:1 CR, flat, +60	1	
	TAM2052	£209.40	PISTON SET, 10.3:1 CR, flat, std	1	
	TAM2052/20	£209.40	PISTON SET, 10.3:1 CR, flat, +20	1	998cc A+
	TAM2052/30	£209.40	PISTON SET, 10.3:1 CR, flat, +30	1	3 ring,
	TAM2052/40	£209.40	PISTON SET, 10.3:1 CR, flat, +40	1	press fit
	TAM2052/60	£209.40	PISTON SET, 10.3:1 CR, flat, +60	1	
	TAM2050	£208.20	PISTON SET, H/C, dished, std	1	
	TAM2050/20	£208.20	PISTON SET, H/C, dished, +20	1	1275cc,
	TAM2050/30	£208.20	PISTON SET, H/C, dished, +30	1	3 ring,
	TAM2050/40	£208.20	PISTON SET, H/C, dished, +40	1	press fit
	TAM2050/60	£208.20	PISTON SET, H/C, dished, +60	1	
	CAJJ3382/20	NCA	PISTON, flat, +20	4	
	CAJJ3382/40	£74.00	PISTON, flat, +40	4	1275cc,
	CAJJ3382/60	£74.00	PISTON, flat, +60	4	supplied
	CAJJ3378/20	NCA	PISTON, 6.5cc dish +20	4	individually
	CAJJ3378/40	NCA	PISTON, 6.5cc dish +40	4	
	CAJJ3378/60	NCA	PISTON, 6.5cc dish +60	4	

Camshafts

19	AEA630	£151.60	CAMSHAFT, pin drive	1	998cc pre A+
	CAM6267	NCA	CAMSHAFT, slot drive (Engine codes: 99H/B83P/B85P/D83P/E22).	1	998cc A+
	CAM4717	NCA	CAMSHAFT, slot drive (Engine codes: 99H/B81P/B82P/D80P/D81P).	1	998cc A+
	CAM6648	NCA	CAMSHAFT, slot drive	1	Cooper 1300cc
	KMD266S	£162.00	CAMSHAFT, fast road, star drive	1	smooth idle in 1275cc+
	KMD276S	£162.00	CAMSHAFT, road/rally, star drive	1	slightly lumpy idle in 1275cc (Very good street cam).
	KMD286S	£162.00	CAMSHAFT, rally, star drive	1	slightly lumpy idle in 1275cc (Max street cam).
	KMD296S	£162.00	CAMSHAFT, race, star drive	1	1380cc+
	KMD310S	NCA	CAMSHAFT, full race, star drive	1	lumpy idle in 1380cc
	KMD266KS	NCA	CAMSHAFT KIT, fast road, star drive	1	smooth idle in 1275cc+



ill.	Part Number	Price £ea.	Description	Req.	Details
Internal Engine Components (Continued)					
	KMD266M	£162.00	CAMSHAFT, fast road, slot drive	1	smooth idle in 1275cc+
	KMD276M	£162.00	CAMSHAFT, road/rally, slot drive	1	slightly lumpy idle in 1275cc (Very good street cam).
	KMD286M	£162.00	CAMSHAFT, rally, slot drive (Slot Metro drive).	1	slightly lumpy idle in 1275cc (Max street cam).
	KMD296M	£162.00	CAMSHAFT, race, slot drive (Slot Metro drive).	1	1380cc+
	KMD266P	£162.00	CAMSHAFT, fast road, pin drive	1	smooth idle in 1275cc+
	KMD276P	£162.00	CAMSHAFT, road/rally, pin drive	1	slightly lumpy idle in 1275cc (Very good street cam).
	KMD286P	£162.00	CAMSHAFT, rally, pin drive	1	slightly lumpy idle in 1275cc (Max street cam).
	KMD296P	£162.00	CAMSHAFT, race, pin drive	1	1380cc+
	KMD286SPS	£267.40	CAMSHAFT, scatter, star drive	1	slightly lumpy idle in 1275cc (Max street cam).
	KMD296SPS	NCA	CAMSHAFT, scatter, star drive	1	1380cc+
	KMD310SPS	NCA	CAMSHAFT, scatter, star drive	1	lumpy idle in 1380cc
	KMD286SPM	£288.00	CAMSHAFT, scatter, metro drive	1	slightly lumpy idle in 1275cc (Max street cam).
	KMD296SPM	£253.00	CAMSHAFT, scatter, metro drive	1	1380cc+
	KMD310SPM	NCA	CAMSHAFT, scatter, metro drive	1	lumpy idle in 1380cc
20	WKN505	£1.31	KEY, cam gear locating	1	
	MGS108251	£12.90	KEY, cam gear locating	1	1° offset
	MGS108252	£12.30	KEY, cam gear locating	1	2° offset
	MGS108253	£12.30	KEY, cam gear locating	1	3° offset
	MGS108254	£12.30	KEY, cam gear locating	1	4° offset
	MGS108255	£10.20	KEY, cam gear locating	1	5° offset
	MGS108256	£12.30	KEY, cam gear locating	1	6° offset
	MGS108257	£9.40	KEY, cam gear locating	1	7° offset
	MGS108258	£9.70	KEY, cam gear locating	1	8° offset
	MGS108259	£9.30	KEY, cam gear locating	1	9° offset
					(These offset keys make getting the best out of your camshaft easier. Please see manufacturers data for correct timing figures).

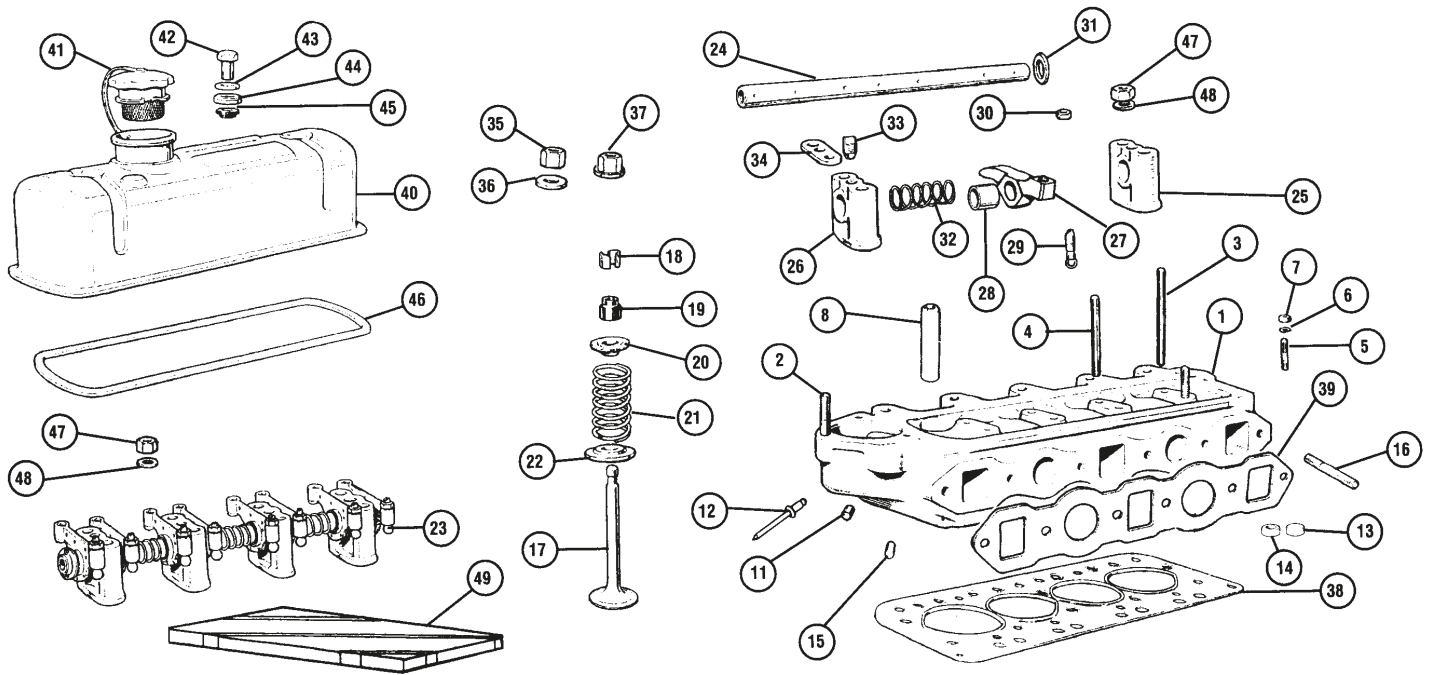
Note: When installing a new camshaft always use a cam lubricant to ensure the cam is protected on 1st start up. We recommend KEN2.

	KEN2	£9.40	CAM LUBE	1	cam assembly lubricant
21	AHU2379	£12.00	PLATE, camshaft locating	1	
22	GHF117	£0.30	SCREW, plate retaining	3	all 998cc models
23	GHF321	£0.22	WASHER, locking	3	
24	12G4337	£23.10	GEAR, camshaft	1	
	12G4337	£23.10	GEAR, camshaft	1	998cc A+ and Cooper 1300cc
	CAJJ3324	£52.60	DUPLEX KIT, cast lightened	1	fast road
	CAJJ3325	NCA	DUPLEX KIT, steel lightened	1	road/race
	TMG10828	£119.40	DUPLEX KIT, vernier adjustable	1	Kent Cams kit
	CAJJ3328	NCA	DUPLEX KIT, adjustable belt	1	toothed belt kit, race
	BELTBELT	£48.30	BELT, replacement timing belt	1	used with CAJJ3328
25	8G549	£2.10	RING, tensioner rubber	1	use with 2A85

Note: Camshaft gear 2A85 is no longer available. If you require a new gear you must purchase the later type 12G4337, although it is possible to replace the rubber damper rings 8G549.

26	6K629	£5.00	NUT, camshaft	1	
27	2A759	£2.40	LOCK TAB, camshaft	1	
28	3H2127	£4.66	TIMING CHAIN, 'Simplex'	1	
	2H4905	£5.80	TIMING CHAIN, 'Duplex'	1	
	2H4905Z	£4.50	TIMING CHAIN, 'Duplex'	1	aftermarket
	2H4905UR	£32.80	TIMING CHAIN, 'Duplex'	1	high quality
29	6K836	£5.70	KEY, crank gear	1	
30	6K628	NCA	SHIM, crank gear	a/r	
31	8G725	£13.20	SPROCKET, crankshaft	1	
32	12G2621	£7.20	TENSIONER, timing chain	1	A+
NI	12G2628	£32.20	TENSIONER PLATE, timing	1	A+
33	12G2629	NCA	PIN, tensioner pivot	1	A+
34	12G4499	£49.80	SPINDLE, distributor drive	1	998cc pre A+
	12G3560	NCA	SPINDLE, distributor drive	1	998cc A+ and Cooper 1300cc
35	2A13	£2.70	CAM FOLLOWER	8	
	TMG10709	£8.40	CAM FOLLOWER, lightened	8	40 gram with oil drain hole
36	12A250	£1.66	PUSH ROD	8	850-1100cc
	2A14	£9.30	PUSH ROD	8	850-1100cc, alternative
	AEG314	£3.35	PUSH ROD	8	1275cc
37	CAM6323	£36.60	PULLEY, crank, no damper	1	998cc pre A+

ill.	Part Number	Price £ea.	Description	Req.	Details
	AHU1878	£117.10	PULLEY, crank, with damper	1	998cc A+ and Cooper 1300cc
38	AEA312	£10.50	BOLT, crankshaft pulley	1	998cc pre A+
	TAM2019	£11.40	BOLT, crankshaft pulley	1	998cc A+ and Cooper 1300cc
39	12A398	£1.25	LOCK TAB, crankshaft pulley	1	998cc pre A+
	TAM2020	£1.48	LOCK TAB, crankshaft pulley	1	998cc A+ and Cooper 1300cc



Part Number	Price £ea.	Description	Req.	Details
Cylinder Head Components				
1 TAM2168	NCA	CYLINDER HEAD, new, bare	1	998cc
LDF10213	NCA	CYLINDER HEAD, new, bare	1	Cooper 1300cc lead free A+
451-875	£1,235.90	CYLINDER HEAD, new, bare	1	alloy head casting with improved water jackets
GCG1001A	NCA	CYLINDER HEAD ASSEMBLY, recon.	1	all 998cc
GCG1007	£436.60	CYLINDER HEAD ASSEMBLY, recon.	1	all 998cc unleaded
GCG1009	£436.60	CYLINDER HEAD ASSEMBLY, recon.	1	1275cc unleaded, with bypass
GCG1009A	£428.40	CYLINDER HEAD ASSEMBLY, exch.	1	1275cc unleaded, no bypass
TMG10803B	£866.40	CYLINDER HEAD ASSEMBLY, Stage 3	1	1275cc unleaded

Part Number	Price £ea.	Description	Req.	Details
TMG10824B	£867.00	CYLINDER HEAD ASSEMBLY, stage 4	1	1275cc
2 CHS2515	£1.43	STUD, thermostat housing	3	998cc models
3 51K881	£2.75	STUD, thermostat housing	3	Cooper 1300cc
4 51K885	£2.40	STUD, rocker cover, (long)	2	
5 51K1473	£1.80	STUD, rocker post, (short)	2	
6 53K402	£1.57	STUD, heater valve	2	
7 GHF331	£0.38	WASHER, locking	2	998cc models
8 GHF200	£0.22	NUT	2	
TAM1368	NCA	SCREW, heater outlet	2	all models 1989-On
12G1111	£3.10	VALVE GUIDE	8	all models
12G1963	£2.26	VALVE GUIDE, tapered nose	8	all models
TMG10819	£61.50	VALVE GUIDE SET, bronze	1	for use with stainless steel valves
11 6K808	NCA	PLUG, brass, oil hole	1	998cc pre A+

ill.	Part Number	Price £ea.	Description	Req.	Details
12	RU612123	NCA	RIVET, oil hole	1	998cc A+
	CDU2601	NCA	RIVET, oil hole	1	
13	12G2092	NCA	PLUG, water hole	3	
14	AEA771	£6.00	PLUG, water hole	2	
15	12G3503	£2.30	PLUG, head cleaning	2	
16	FHS2512	£1.57	STUD, manifold	6	all models
	AMS1	NCA	STUD SET, manifold	1	stainless steel

Valve Gear

998cc Models

17	CAM6391	£7.80	VALVE, inlet	4	99H353EH302624
	12G3034	NCA	VALVE, inlet	4	31mm 998cc
					Cooper and 1098cc
	12A1987	£7.60	VALVE, exhaust	4	99H353EL291101
18	88G459	£1.31	COTTER, valve cap retainer	16	99H353PH824
20	88G616	£3.00	CAP, valve	8	99H503RH19766
21	AEA311	£2.05	VALVE SPRING	8	
22	CAM6520	NCA	SHIM, valve spring	8	99H791P?* To 538152

*Note: Question mark indicates an unknown introduction point. NCA.

17	CAM6502	NCA	VALVE, inlet	4	99H791P538153
					On
	CAM6505	NCA	VALVE**, exhaust, lead free	4	99H997P/100/101
	CAM6503	NCA	VALVE, exhaust	4	99H998P/100101
19	ADU4905	£0.80	SEAL, valve guide	8	99HA53P100101 - 110783
18	88G459	£1.31	COTTER	16	99HA941100101 - 100997
20	88G617	£5.30	CAP, valve	8	99HA97100101 - 100427
21	12G1015	£2.75	VALVE SPRING	8	

**Note: Exhaust valve CAM6503 was only fitted on these engines: 99H791P 538153 on, and 99HA97P100101 to 100427.

17	TAM1062	NCA	VALVE, inlet	4	high flow 850cc - 1098cc
	CAEG588	NCA	VALVE, inlet 31.7 mm	4	99HA539P 110784
					On
	TAM1770Z	£8.40	VALVE, exhaust	4	high flow 850cc - 1098cc
	CAEG587	NCA	VALVE, exhaust 26.5 mm	4	high flow 850cc - 1098cc
19	ADU4905	£0.80	SEAL, valve guide	8	99HA94P 100998
					On
18	CAM6975	£1.80	COTTER, valve cap retainer	16	99HA97P 100428
					On
20	AHU1897	£6.60	CAP, valve	8	+ for engine no codes; B83, B84
21	12G1015	£2.75	VALVE SPRING	8	B85, D83
21	AEA311	£2.05	VALVE SPRING	8	E22, G31

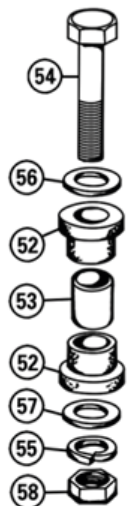
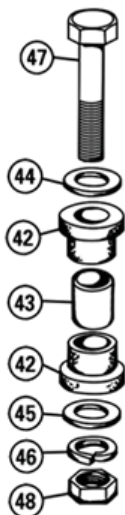
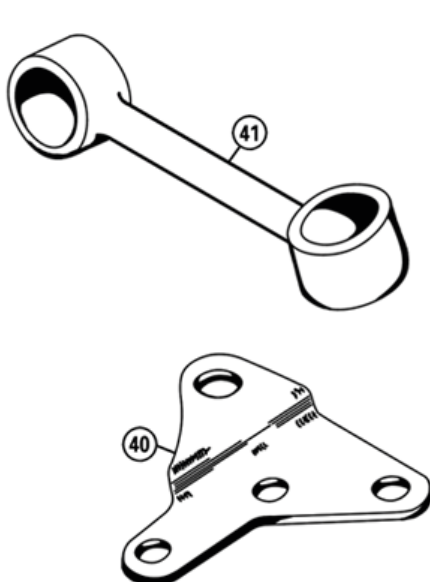
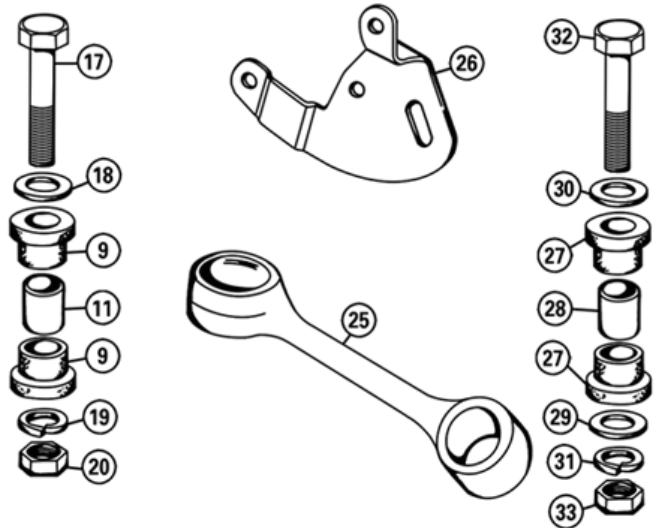
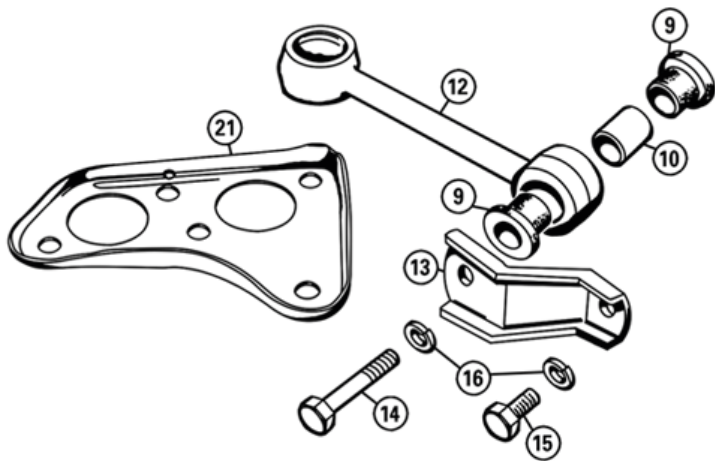
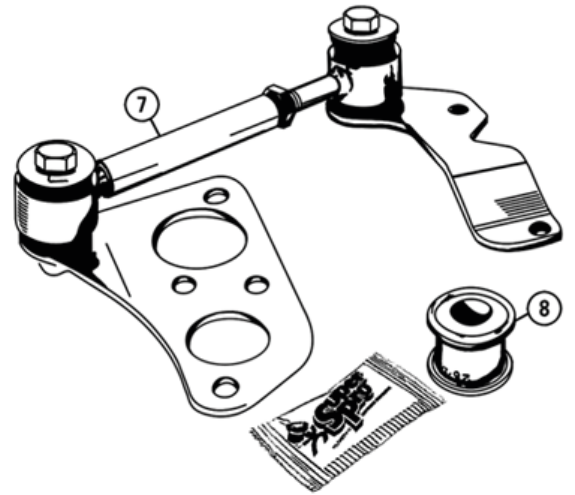
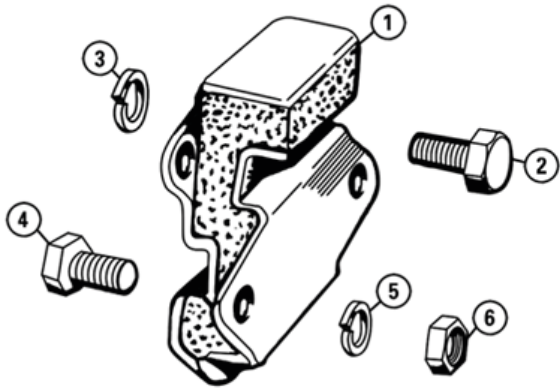
Valve Gear

Cooper 1300 Models

17	TAM1058	£8.70	VALVE, inlet	4	33mm lead free
	CAM6669	£5.30	VALVE, inlet	4	35mm
	TAM1061	£6.50	VALVE, exhaust	4	
	TAM1061Z	£9.30	VALVE, exhaust	4	
	CAEG569	£33.00	VALVE, inlet 33.3 mm	4	high flow 1275cc
	CAEG544	£12.30	VALVE, inlet 35.6 mm	4	high flow 1275cc
	CAHT55	NCA	VALVE, inlet 37.2 mm	4	high flow 1275cc
	CAHT110	NCA	VALVE, inlet 37.7 mm	4	high flow 1275cc
	MST2021	£40.45	VALVE, inlet 35.6 mm	4	riflo comp 1275cc
	MST2022	NCA	VALVE, inlet 36.57 mm	4	riflo comp 1275cc
	CAEG106	£18.05	VALVE, exhaust 29.4mm	4	high flow 1275cc
	CAEG107	£12.30	VALVE, exhaust 31.0 mm	4	high flow 1275cc
	MST2011	£40.45	VALVE, exhaust 29 mm	4	riflo comp 1275cc
	MST2012	£40.45	VALVE, exhaust 31 mm	4	riflo comp 1275cc
19	ADU4905	£0.80	SEAL, valve stem	8	
18	CAM6975	£1.80	COTTER	16	
	88G459	£1.31	COTTER	16	high flow valves
20	AHU1897	£6.60	CAP, valve	8	
	TMG10816	£19.30	CAP, valve, alloy	8	
21	12G1015	£2.75	SPRING VALVE	8	
	TMG10807	£43.10	SPRING SET, dual spring set	1	road use
	TMG10808	£183.00	SPRING SET, dual spring set	1	race use

Note: Original rockers are now no longer available, they were either cast (2A533) or pressed steel

ill.	Part Number	Price £ea.	Description	Req.	Details
					(2A964). They can be replaced by either a sintered steel rocker (CAM289) or forged rocker (12G1221). It is advisable to replace in sets due to the difference in weight when compared with the original rocker.
23	12A1950K	£132.00	ROCKER ASSEMBLY, rebuilt	1	
	CAHT436	£172.60	ROCKER ASSEMBLY, high lift	1	1275cc EN16 d/forge 1.5 ratio
	AHT437	NCA	ROCKER ASSEMBLY, roller rockers	1	1275cc 1.5 ratio
	AHT438	£272.40	ROCKER ASSEMBLY, roller rockers	1	1275cc 1.5 ratio
	TMG10848	NCA	ROCKER ASSEMBLY, roller rockers	1	1275cc 1.5 ratio
	AHT440	NCA	ROCKER ASSEMBLY, roller rockers	1	850cc-1098cc 1.5 ratio
24	12A1950	£9.60	ROCKER SHAFT	1	
	12A1950Z	NCA	ROCKER SHAFT	1	aftermarket
	TMG10817	£36.90	ROCKER SHAFT	1	tuftride shaft
25	12G1926	NCA	POST, rocker, with oil feed	3	post nos. 1, 3 and 4
26	12G1927	NCA	POST, rocker, tapped	1	post no 2
27	CAM289	£11.20	ARM, rocker, sintered	8	998cc A+ and Cooper 1300cc
					not illustrated
	12G1221	£11.40	ARM, rocker, forged (Must be reamed to suit rocker shaft).	8	
28	2A21	£2.16	BUSH, rocker arm	8	
29	12A1215	£5.70	SCREW, adjusting	8	use with 2A964/ 2A533
	12H3376	£1.70	SCREW, adjusting	8	use with 12G1221
	12H3376	£1.70	SCREW, adjusting	8	use with CAM289
30	6K654	£1.54	NUT, adjuster locking	8	use with 2A964/ 2A533
	51K1178	£0.47	NUT, adjuster locking	8	use with 12G1221 and CAM289
31	6K555	£1.30	SPACER WASHER	a/r	
32	6K556	£2.40	SPRING, rocker spacing	3	
	CAEG392	£14.40	SPACER SET ROCKER, solid	1	
33	2A258	£1.20	PEG, rocker shaft locating	1	
34	2A515	NCA	PLATE, rocker shaft peg locating	1	
35	51K1193	£1.48	NUT, cylinder head	9	pre A+ engines
36	12H2178	£0.46	WASHER, flat, hardened	9	
37	51K1193B	£1.96	NUT, cylinder head	9	A+ engines
38	GUG197HG	£12.05	GASKET, cylinder head	1	all 998cc
	GUG702560HG	£20.30	GASKET, cylinder head	1	1275cc and Metro turbo
	AHT188	£19.00	GASKET, cylinder head	1	copper composite competition
	CSTR1057	NCA	GASKET, cylinder head*	1	group A turbo.
					*Note this gasket is only for a bore of 1275cc (2.780) +.040 (2.82). This gasket has an extra reinforced fire ring that requires machining the block to the following DATA:
			Fire ring recess OD in block top		3.060
			Fire ring recess depth in block top		= 0.027/0.029
39	AJM601	£2.40	GASKET, manifold to cylinder head	1	
	TMG10836	£4.70	GASKET, large bore tubular manifold	1	
40	LDR10074	£48.90	ROCKER COVER	1	pressed steel
	WPA9007X	£48.00	ROCKER COVER, alloy	1	ribbed
	GAC4068P	£34.00	ROCKER COVER, alloy	1	plain
41	GFE6003	£3.50	FILLER CAP	1	
	8G612CP	£8.70	FILLER CAP, chrome	1	for alloy rocker covers
	8G612	£7.80	FILLER CAP, matt steel	1	for alloy rocker covers
42	2A150	£1.48	NUT, rocker cover	2	all 998cc
	2A150CP	£3.40	NUT, chrome, rocker cover	2	
	12H2557	£3.76	NUT, rocker cover, with stud	2	Cooper 1275cc
	WPA9029X	£10.30	NUT, knurled rocker nuts, pair	1	
43	1B2925	£1.31	SPACER	2	
	CAM6921	£1.80	SPACER CHROME	2	
44	1A2156	£1.10	CUP WASHER	2	
	12G679	£1.21	CUP WASHER CHROME	2	
45	12A1358	£0.70	GROMMET, rocker cover	2	
46	GUG705009VC	£1.70	GASKET, rocker cover	1	
	296-006	£14.60	GASKET, rocker cover, silicone	1	standard cover
	296-007	£17.20	GASKET, rocker cover, silicone	1	alloy cover
	AJM417	£2.40	GASKET, rocker cover, 11 stud head	1	Cooper S notched
47	GHF201	£0.14	NUT, rocker pedestal	4	alternatives
	GHF222	£0.55	NUT, nyloc, rocker pedestal	4	
48	GHF301	£0.24	WASHER, rocker pedestal	4	
49	AJM102	£21.00	GASKET SET, top end	1	998cc pre A+
	AJM102Z	£9.30	GASKET SET, top end, alternative	1	
	GUG701152HS	£33.05	GASKET SET, top end	1	998cc A+
	AJM1140	£20.40	GASKET SET, top end	1	1275cc
	AJM1140Z	£12.30	GASKET SET, top end, alternative	1	
	AJM1238	£11.70	GASKET SET, top end	1	1275CC A+
	GUG1089HS	£15.80	GASKET SET, top end	1	Cooper 1300cc
	AJM1141X	£28.50	GASKET SET, top end	1	1300cc with AF460 gasket
	GUG701113HS	NCA	GASKET SET, top end	1	injection head set



ill.	Part Number	Price £ea.	Description	Req.	Details
Engine Mountings					
1	21A1902	£3.85	ENGINE MOUNT, manual only	2	
	21A1902X	£7.50	ENGINE MOUNT, easy fit	2	captive nuts easy fit
	21A1902P	NCA	ENGINE MOUNT, poly, split	2	two part type
	22A1018	£12.90	ENGINE MOUNT, auto	2	left hand side
	22A917	£64.80	ENGINE MOUNT, auto	1	right hand side
2	SH605051	£1.00	SCREW, fine	3	mount to radiator bracket
	SH505061	£0.64	SCREW, coarse	3	engine mount to flywheel
3	GHF332	£0.40	WASHER, locking	3	
4	GHF120	£0.30	SCREW, mounting to subframe	4	
5	GHF332	£0.40	WASHER, locking	4	
6	GHF201	£0.14	NUT	4	not required when using 21A1902X

ill.	Part Number	Price £ea.	Description	Req.	Details
Lower Off Side Front Stabiliser					
50	KKU10080	£9.30	BRACKET, on clutch housing	1	998cc
	KKU10080	£9.30	BRACKET, on clutch housing	1	1275cc
51	FAM2758	£23.40	STEADY BAR	1	1990-On
52	CRC5329	£2.50	BUSH, steady bar*	4	
53	31G1085	£2.75	SLEEVE, spacer in bush*	2	
54	BH606181	£0.40	BOLT*	2	steady bar to bracket and sub-frame
55	GHF333	£0.30	WASHER, locking*	2	
56	PWZ306	£0.47	WASHER, large	1	
57	GHF302	£1.00	WASHER, plain	1	
58	GHF202	£0.22	NUT*	2	

*Note: These items are the same for both ends of the steady bar.

Engine Stabiliser

The ultimate engine steady kit

A common problem with Minis is their tendency to destroy engine mounts and steady bar bushes, leading to exhaust down pipe breakage. This is the best engine steady kit available. It mounts neatly on the top two bolts of the water pump and on to the bulkhead. It has an adjustable tie rod with rubber bushes, but can be uprated with one piece SuperPro bush. Suitable for all models including LHD cars.

7	ABR024	£38.70	ENGINE STABILISER KIT	1	
8	CRC5329SP	£5.10	BUSH KIT, steady bar, polyurethane	2	one piece bush

Top Engine Stabiliser

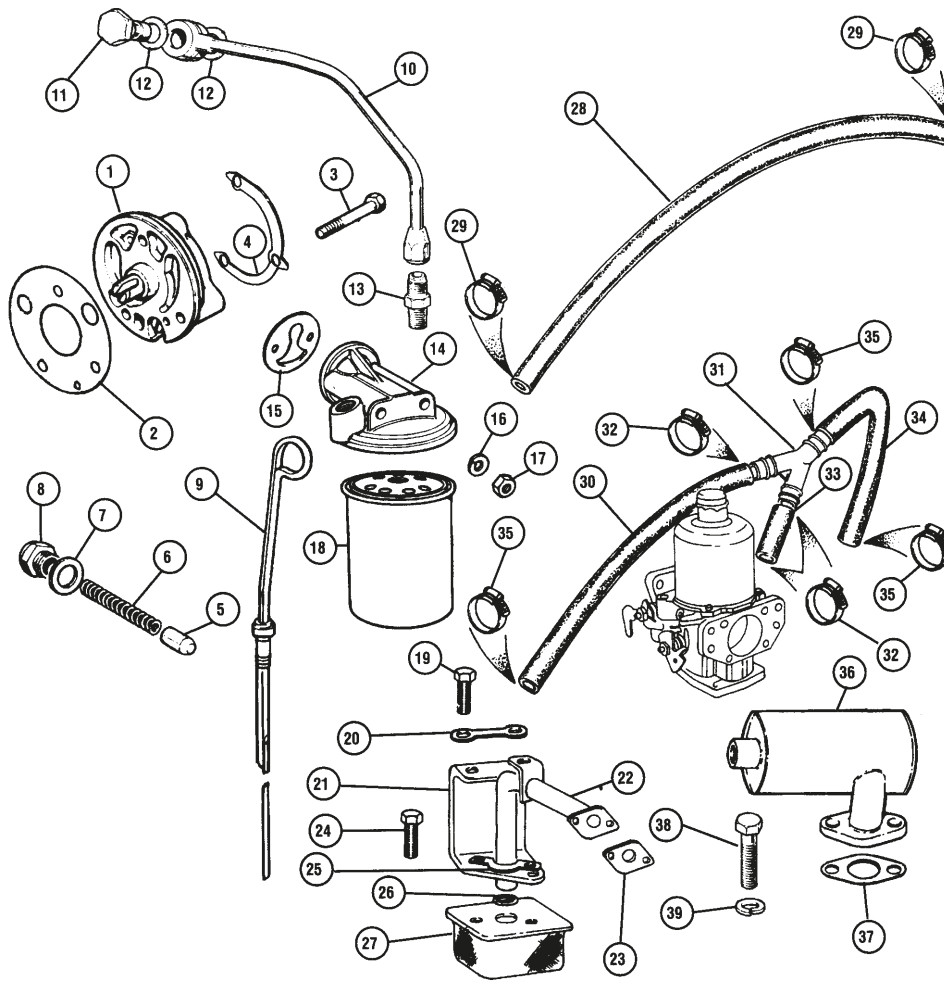
9	CRC5329	£2.50	BUSH, steady bar, rubber	4	standard
	CRC5329SP	£5.10	BUSH KIT, steady bar, polyurethane	2	one piece bush
	C-STR630	NCA	BUSH KIT, steady bar, hard rubber	1	4 x bush, 1 x spacer
10	21A1108	£2.30	SLEEVE, spacer in bush	1	steady bar to block
11	21A1108	£2.30	SLEEVE, spacer in bush	1	steady bar to bulkhead
12	21A1109	£43.40	STEADY BAR	1	
	KAD3283	£68.70	STEADY BAR	1	alloy adjustable
13	21A2387	£24.70	BRACKET, steady bar to block	1	
14	BH505181	£1.04	BOLT, long, bracket to block	1	
15	SH505051	£0.66	SCREW, short, bracket to block	1	
16	GHF332	£0.40	WASHER, locking	2	
17	BH605151	£0.95	BOLT, steady bar to bulkhead	1	
18	GHF302	£1.00	WASHER, plain	1	
19	GHF333	£0.30	WASHER, locking	1	
20	GHF201	£0.14	NUT	1	
21	14A6733	£13.20	BRACKET, engine stabiliser	1	fits under brake & clutch master cylinder

Lower Near Side Rear Stabiliser

25	21A2569	£18.80	STEADY BAR	1	
26	21A2763	£5.50	BRACKET, gearbox	1	
27	CRC5329	£2.50	BUSH, steady bar*	4	
28	31G1085	£2.75	SLEEVE, spacer in bush*	2	
29	GHF302	£1.00	WASHER, plain	2	
30	PWZ306	£0.47	WASHER, plain*	2	
31	GHF333	£0.30	WASHER, locking*	2	
32	BH606181	£0.40	BOLT*	2	steady bar to bracket and sub-frame
33	GHF202	£0.22	NUT*	2	

Lower Off Side Rear Stabiliser

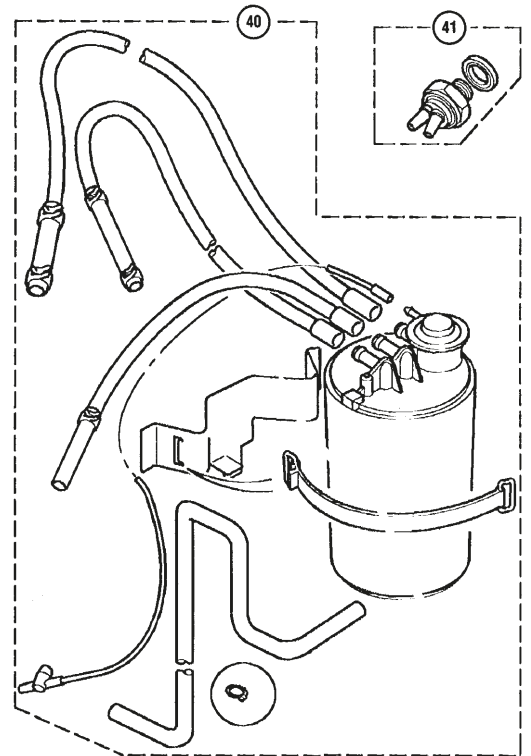
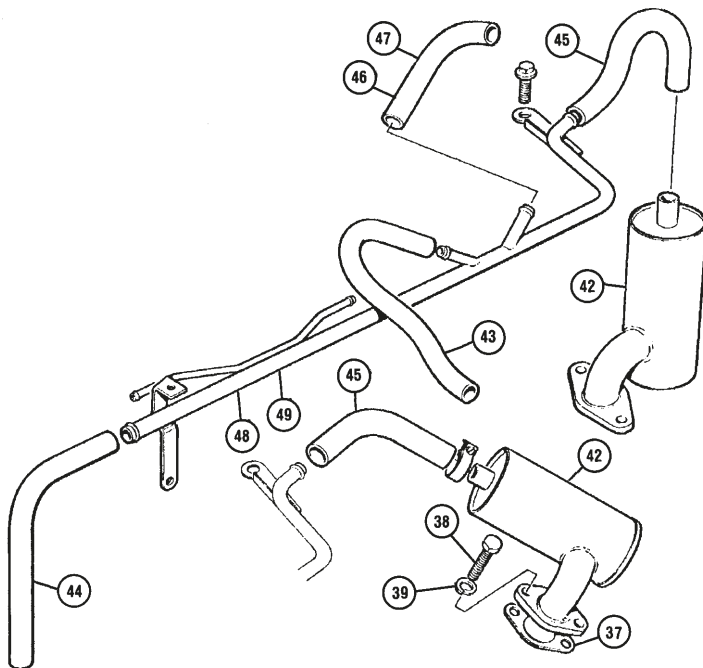
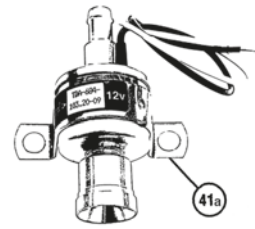
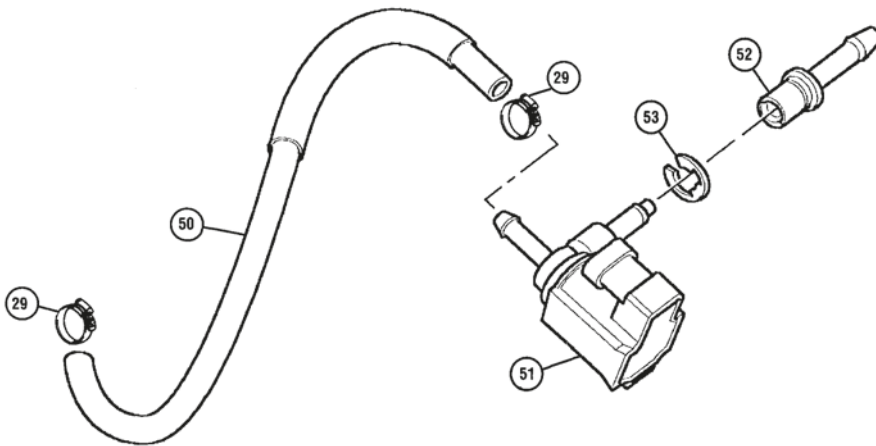
40	21A2785	£6.10	BRACKET, on clutch housing	1	
41	21A2787	£23.10	STEADY BAR	1	
	21A2787K	£44.00	STEADY BAR KIT	1	
42	CRC5329	£2.50	BUSH, steady bar*	4	
43	31G1085	£2.75	SLEEVE, spacer in bush*	2	
44	PWZ306	£0.47	WASHER, large, plain*	3	
45	GHF302	£1.00	WASHER, plain*	2	
46	GHF333	£0.30	WASHER, locking*	2	
47	BH606181	£0.40	BOLT*	2	steady bar to bracket and sub-frame
48	GHF202	£0.22	NUT, Nyloc*	2	



ill.	Part Number	Price £ea.	Description	Req.	Details
Oil Control					
1	GLP142	£19.50	OIL PUMP, pin drive	1	850-1098cc pre A+
	GLP141	£23.40	OIL PUMP, star drive	1	1275cc pre A+
	GLP139	£23.50	OIL PUMP, slot drive	1	998cc A+
	GLP138	£17.70	OIL PUMP, slot drive	1	1275cc A+
	GLP110	£42.00	OIL PUMP, slot drive	1	turbo
2	GUG705560GM	£0.83	GASKET, oil pump	1	
3	BH604141	£1.10	BOLT, oil pump	3	998cc
	TAM1174	NCA	BOLT, oil pump	4	1275cc A+
4	12G926	£2.05	LOCK WASHER, pin drive pumps	1	
5	12H865	£4.80	VALVE, oil release	1	
	12H865X	£0.73	VALVE BALL, oil release	1	no more sticking valves
6	6K853	£1.26	SPRING, oil valve	1	
	6K853C	£1.36	SPRING, oil valve	1	use with 12H865X
	6K431B	£0.77	WASHER, copper	1	
8	12A1851	£4.75	CAP, oil pressure release valve	1	
9	12A116	NCA	DIPSTICK	1	pre A+
	LQM100380	£20.30	DIPSTICK	1	A+ without tube
	GAC8457X	£11.70	DIPSTICK, blue	1	A+
	GAC8458X	£11.70	DIPSTICK, red	1	A+
10	TAM2106	NCA	OIL PIPE, block to filter	1	Cooper, no oil cooler
	MT1501	£67.85	OIL PIPE, block to filter, braided	1	12a 1990-On
	MT9101	NCA	OIL PIPE, turbo oil feed	2	braided oil feed pipe
	OCHK100	£28.00	OIL PIPE KIT, rubber	1	oil cooler pipe kit To 1979
	OCHK102	£47.50	OIL PIPE KIT, stainless steel	1	oil cooler pipe kit To 1979
	OCHK103	NCA	OIL PIPE KIT, rubber	1	oil cooler pipe kit 1979-84
	OCHK104	£80.90	OIL PIPE KIT, stainless steel	1	oil cooler pipe kit 1979-84
	OCHK105	£55.50	OIL PIPE KIT, rubber	1	oil cooler pipe kit 1985-On
	OCHK106	£67.25	OIL PIPE KIT, stainless steel	1	oil cooler pipe kit 1985-On
	OCHK101	NCA	OIL PIPE KIT	1	oil cooler pipe kit Clubman
11	2A715	£22.40	BANJO BOLT, oil pipe to block	1	
12	AED172	£1.21	WASHER, sealing	2	
	LZB10017	£5.10	OLIVE SEAL	2	collapsible olive seal

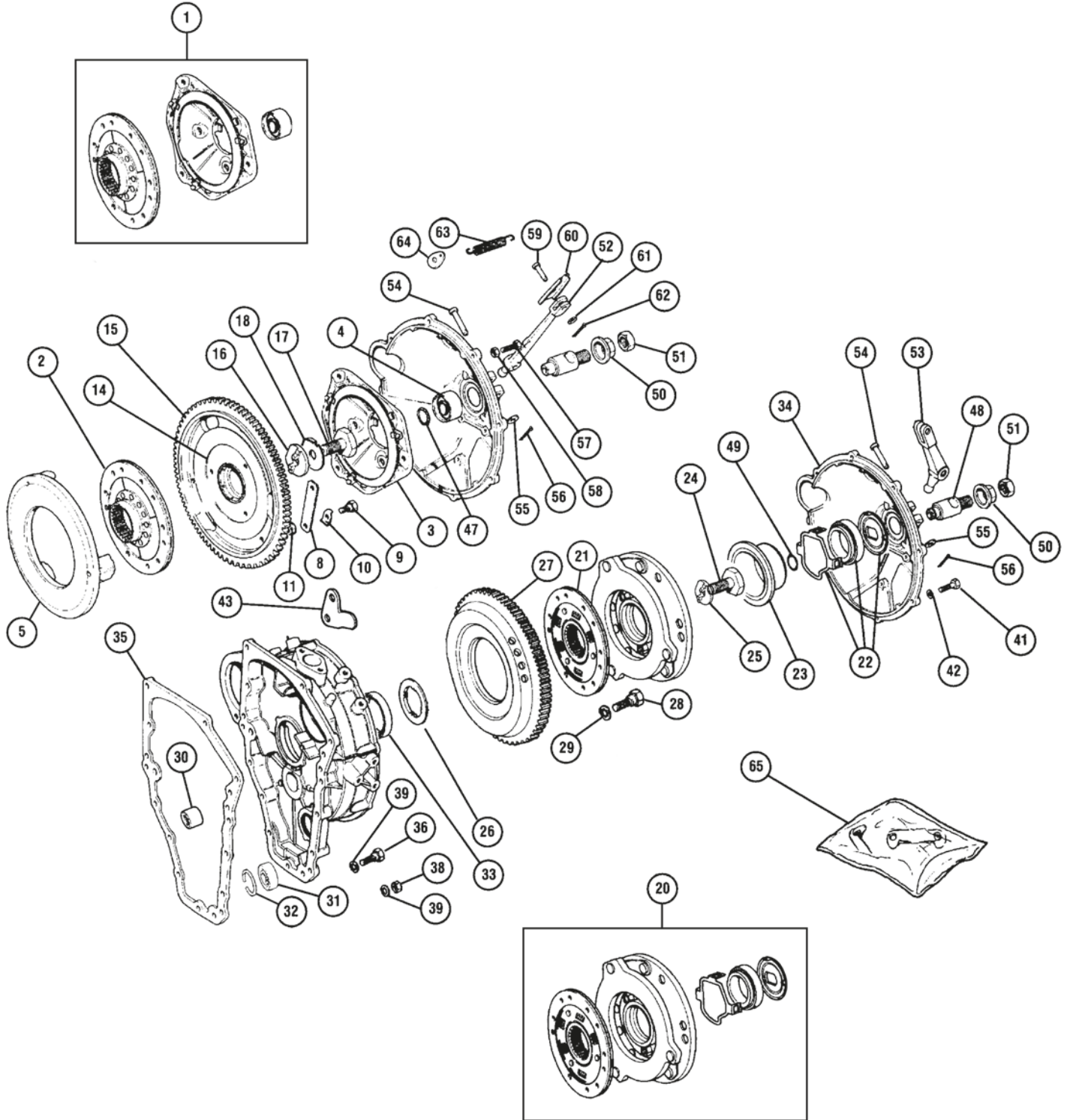
(For standard metal injection oil feed pipe).

ill.	Part Number	Price £ea.	Description	Req.	Details
13	TAM2119	NCA	ADAPTOR, oil pipe to housing	1	
14	TAM2097	£24.90	HOUSING, filter head	1	
15	GUG705553GM	£1.90	GASKET, filter housing to block	1	
16	GHF333	£0.30	WASHER, locking	2	
17	GHF202	£0.22	NUT	2	
18	8G684	£8.80	OIL FILTER, felt element	1	early
	GFE103	£3.60	OIL FILTER, paper element	1	
	GFE104	£4.20	OIL FILTER, paper element	1	auto
	GFE166	£2.40	OIL FILTER, canister	1	all models
	LPW100180	£3.90	OIL FILTER, canister	1	MPI 1996-On
19	GHF101	£0.30	SCREW, bracket to gearbox case	2	
20	22A1365	NCA	LOCK TAB	1	
21	22A343	NCA	BRACKET, oil pipe support	1	
22	22G1150	NCA	PIPE, oil suction	1	
	CAHT54	£30.60	PIPE, oil suction	1	
(Central pickup required too ensure constant oil delivery under heavy cornering).					
23	22A542B	£1.75	GASKET, pipe to gearbox case	1	
24	SH604031	£1.10	SCREW, strainer to bracket	2	
25	22A388	NCA	LOCK TAB	1	
26	22A341	NCA	'O' RING	1	
27	22A335	NCA	STRAINER, oil suction	1	



Part Number	Price £ea.	Description	Req.	Details
Breather Hose & Fittings				
998cc Models				
28 12A1735	£7.00	HOSE, breather, tappet	1	chest to carburettor
29 GHC11022	£2.30	CLIP, large, hose	1	to tappet chest
GHC11020	£2.05	CLIP, small, hose	1	to carb
Cooper 1275cc and SE Models				
30 12A1735	£7.00	HOSE, breather	1	timing cover to 'Y' piece
31 12G2134	£3.05	'Y' PIECE	3	
32 GHC11020	£2.05	CLIP, hose	1	
33 LLH10056	£2.50	HOSE, breather	1	'Y' piece to carb.
34 LLH10057	NCA	HOSE, breather	1	'Y' piece to oil separator
35 GHC11022	£2.30	HOSE CLIP	1	
36 LLC10047	£44.70	OIL SEPARATOR	1	flywheel housing
37 GUG705551GM	NCA	GASKET, oil separator	1	
38 SH505061	£0.64	SCREW, oil separator	1	to flywheel housing
39 GHF332	£0.40	WASHER, locking	2	
GHF201	£0.14	NUT	1	
53K2171	£1.31	STUD, separator on housing	1	
40 WTB100760	NCA	CANISTER CHARCOAL (Supplied with bracket assembly).	1	carburettor models
41 MAQ10008	NCA	SWITCH, carburettor vacuum	1	thermostatic control
41a ADU9535	£77.50	VALVE, anti run on	1	1275cc Cooper 1990-91
UAM1600	£5.60	T PIECE, servo hose to valve	1	

Part Number	Price £ea.	Description	Req.	Details
GRH1006M	£7.20	HOSE, servo to valve 1m length	1	
Injection Models				
42 LLC10051	NCA	OIL SEPARATOR	1	auto and MPI
43 LLH10082	NCA	HOSE, breather	1	metal rail to throttle body
44 LLH10132	£4.75	HOSE, breather	1	metal rail to timing cover
45 LLH10135	NCA	HOSE, breather	1	metal rail to clutch cover
46 LLH102240	NCA	HOSE, breather	1	metal rail to throttle body top inlet MPI
47 LLH101830	NCA	HOSE, breather	1	metal rail to throttle body top inlet SPI
48 LLP10026	NCA	PIPE, metal (Metal supply pipe to hoses runs behind rocker cover box SPI).	1	
49 LLP100300	NCA	PIPE, metal (Metal supply pipe to hoses runs behind rocker cover box MPI).	1	
50 MAH10035	£9.10	HOSE	1	hose to purge valve
51 AUU1503	NCA	PURGE VALVE	1	
52 JZV1223	NCA	TUBE PLASTIC, purge valve	1	
53 JZV1224	NCA	CLIP, purge valve tube	1	



ill.	Part Number	Price £ea.	Description	Req.	Details
Diaphragm Clutches					
1	GCK100AF	NCA	CLUTCH ASSEMBLY	1	contains items 2, 3 and 4
2	GCP204AF	£38.60	CLUTCH PLATE	1	
	GCP204BB	£71.00	CLUTCH PLATE, B&B	1	aftermarket
	GCP596	£137.90	CLUTCH PLATE, road rally	1	
3	GCC103	NCA	CLUTCH COVER, (diaphragm)	1	
	GCC103BB	£64.30	CLUTCH COVER, B&B	1	aftermarket
	GCC481	£51.60	CLUTCH COVER, road rally	1	
	GCC482	£84.10	CLUTCH COVER, rally race	1	
4	GRB238	£8.20	RELEASE BEARING	1	
5	22A598	£101.50	PRESSURE PLATE	1	
	CAHT230	£101.50	PRESSURE PLATE	1	lightweight 3.56lbs
6	2A3657	£2.95	SCREW	3	diaphragm to plate
7	GHF323	£0.22	WASHER, shake-proof	3	
8	2A3658	£10.00	STRAP, driving	6	road use or 9 for race/rally
9	2A3659	£2.40	SCREW, strap to flywheel	3	
10	2A3512	NCA	LOCKTAB, for above	3	
11	GHF302	£1.00	WASHER	3	
14	12G3014	NCA	FLYWHEEL	1	
	CAEG619	£178.15	FLYWHEEL, steel	1	super light 8.38lbs (For 107 tooth ring gear with inertia starter motor).
	CAEG620	NCA	FLYWHEEL, steel	1	super light 8.38lbs (For 129 tooth ring gear with pre-engaged starter motor).
	CAEG420	£174.60	FLYWHEEL, steel	1	light weight 11lbs (For 129 tooth ring gear with pre-engaged starter motor).
15	12G676	£28.50	RING GEAR	1	wide type (Standard manual transmission 107 tooth).
	22G2613	£30.00	RING GEAR	1	thin type (As used on race fly wheels 107 tooth).
16	88G508	£9.30	KEY, flywheel to crankshaft	1	
17	22A747	£8.70	BOLT, flywheel	1	
18	22A1155	£5.50	LOCKTAB, flywheel bolt	1	

Verto Clutches

Note: Verto manufactured clutches were first used on the Metro range in 1983, to counter problems with clutch judder and reliability. They were built as an assembly and dynamically balanced to reduce these problems.

Although it is possible to purchase component parts, we only offer the assembly as it promises less maintenance and reduces the risk of a juddering clutch.

20	GCK149AF	£156.70	CLUTCH ASSEMBLY, inertia starter	1	998cc (180mm centre plate, diaphragm and release bearing).
	GCK2123AF	£170.60	CLUTCH ASSY., pre-engaged starter	1	1275cc (190mm centre plate, diaphragm and release bearing).
	GCU90122AF	NCA	CLUTCH ASSEMBLY	1	Cooper 1275cc and SE
21	GCP90311AF	£52.10	CLUTCH PLATE, verto	1	998cc
	GCP90832AF	£60.90	CLUTCH PLATE, verto	1	1275cc
	GCP596	£137.90	CLUTCH PLATE, road/rally	1	
22	GRB239	£8.50	RELEASE BEARING	1	
23	AHU1564	£35.90	THRUST SLEEVE	1	
24	DAM5922	£12.95	BOLT, with lock-washer	1	
25	DAM5923	£14.40	KEY, crankshaft to fly wheel	1	
26	DAM2821	NCA	DUSTSHIELD, primary gear seal	1	
27	12G2445	NCA	RING GEAR, 107 teeth	1	inertia starter
	PSF10003	£28.00	RING GEAR, 129 teeth	1	pre-engaged starter (Verto or pre-Verto fly wheel with pre-engaged starter).
28	BAU2319	£0.86	BOLT, cover fixing	6	
29	GHF323	£0.22	WASHER, cover fixing	6	
30	88G302	£5.60	BEARING, idler gear	1	1959-68, 3 synchro gearbox (1.004" ext. dia.)
	13H7848	£6.90	BEARING, idler gear	1	1968-79, 4 synchro gearbox (1.065" ext. dia., 0.750" int. dia.)
	AHU1707	£14.40	BEARING, idler gear	1	1979 on, 4 synchro gearbox (1.375" ext. dia., 0.875" int. dia.)
	DAM3745	£18.90	BEARING, idler gear with sleeve	1	Pre A+ inner diameter with A+ outer diameter.

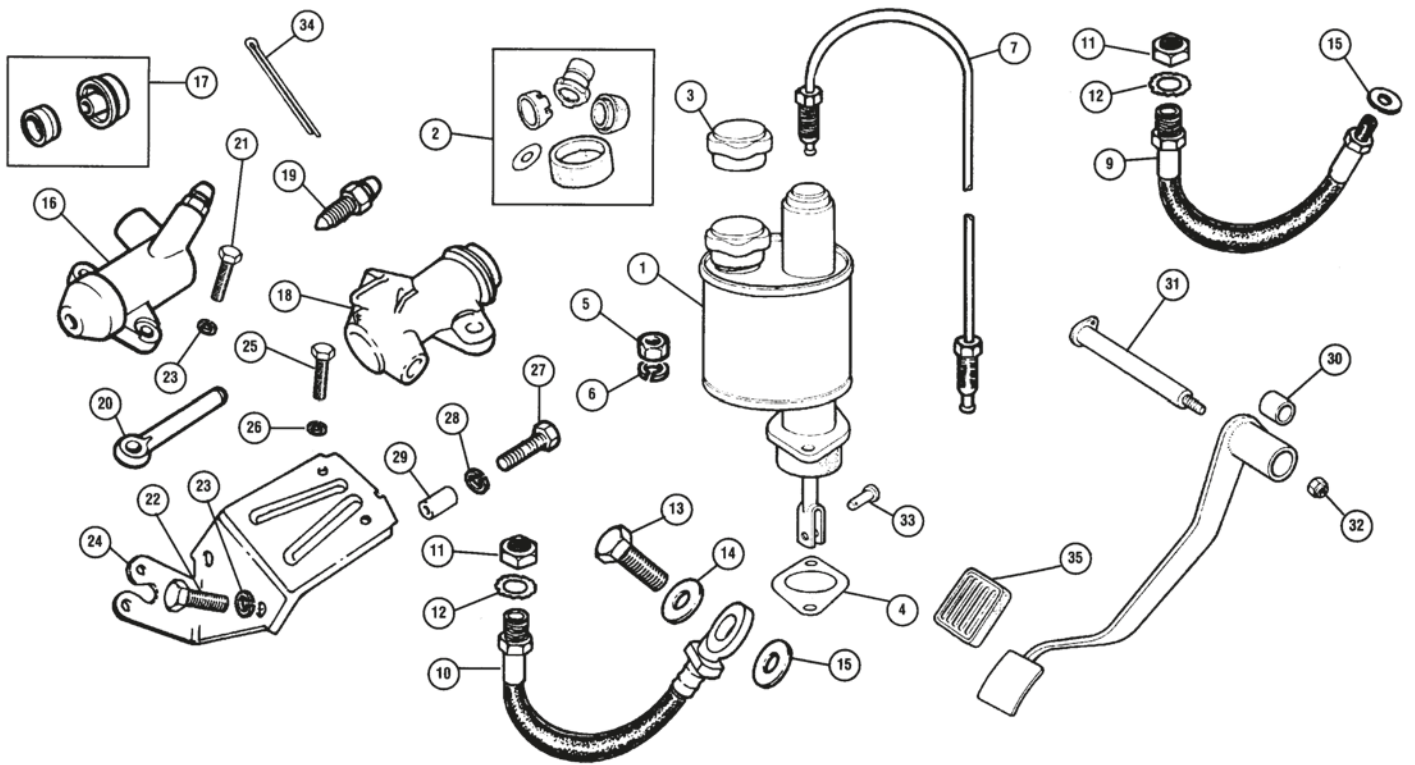
Note: For 3 synchro gearbox models (1959-68) none of the 4 synchro flywheel housings can be used. When fitting an A series idler gear to A+ housing, use DAM3745 which has a special sleeve. DAM3745 has a pre A+ inner diameter and A+ outer diameter, meaning you can use the larger A+ housing with a smaller pre A+ idler gear.

If you are unsure what is original for your car, you can check the size required by measuring the bearing location in the flywheel housing (to get the external diameter for the idler bearing) and measure the idler gear shaft diameter (to get the internal diameter required). This should give you the size of bearing required to suit your needs.

31	AAU8424	£15.60	BEARING, 1st motion shaft spigot	1	
32	2A3643	£4.50	SPRING RING, for bearing	1	
33	13H2934	£3.70	OIL SEAL	1	
	LUF10005	£7.00	OIL SEAL, improved seal	1	standard 1991-On
34	AHU1106	NCA	COVER, with timing hole	1	

ill.	Part Number	Price £ea.	Description	Req.	Details
35	22A2237B	£3.50	GASKET, housing to transmission	1	
36	BH605141	£1.10	SCREW, housing to block	3	long
	DAM7758	NCA	BOLT, flanged, housing to block	3	long
	GHF103	£0.60	SCREW, housing to block	3	short
38	FNZ505	£0.72	NUT, housing, stud from gearbox	9	
39	GHF332	£0.40	WASHER, locking	9	
41	DAM7755	£1.25	SCREW, cover to housing	7	
42	GHF301	£0.24	WASHER, plain	1	
	GHF332	£0.40	WASHER, spring	1	use with DAM7755
43	22A1299	NCA	PLATE, dowel retaining	1	
46	22A180	£7.50	PLUNGER, clutch	1	press fit To 1979
	DAM1955	£35.00	PLUNGER, clutch	1	floating fit 1979-84
47	DAM2413	£2.63	RING, locking, plunger to bearing	1	
Note: Always renew DAM2413 when replacing release bearing.					
48	DAM5353	NCA	PLUNGER	1	Verto clutches
	DAM5353Z	£17.30	PLUNGER, aftermarket	1	
49	AAU2866	£1.20	'O' RING, plunger to bearing	1	use with DAM5353
50	22A427	£6.30	STOP, plunger	1	
51	NT610041	£0.95	NUT, plunger stop locking	1	
52	22A2204	£26.40	LEVER, clutch release, long	1	diaphragm clutches
53	DAM5355Z	£18.60	LEVER, clutch release, short	1	Verto clutches
54	CLZ628	£1.96	CLEVIS PIN, clutch pivot	1	
55	GHF302	£1.00	WASHER	1	
56	GHF502	£0.22	SPLIT PIN	1	For CLZ628
57	GHF101	£0.30	SCREW, clutch lever stop	1	
58	JN2107	£0.43	LOCKNUT	1	
59	CLZ518	£1.62	CLEVIS PIN	1	
60	2A3601	£4.66	SPRING PLATE, lever end	1	
61	GHF301	£0.24	WASHER	1	
62	GHF502	£0.22	SPLIT PIN	1	
63	1G5999	£2.05	SPRING, clutch arm return	1	
64	2A3600	NCA	SPRING PLATE, slave cylinder end	1	
65	18G8086	NCA	LOCK TAB SET	1	
(This set contains all lock tabs required for re-assembly of the flywheel housing, on later cars shouldered bolts are used instead of studs, these replace the lock tabs as they are self locking).					

Note: Whenever work has been carried out on the clutch assembly or the flywheel has been removed, its good practice to have the assembly balanced again before it's reinstalled. This will help achieve a smoother running engine. An out of balance flywheel can cause a great deal of damage and shorten the life of the engine.



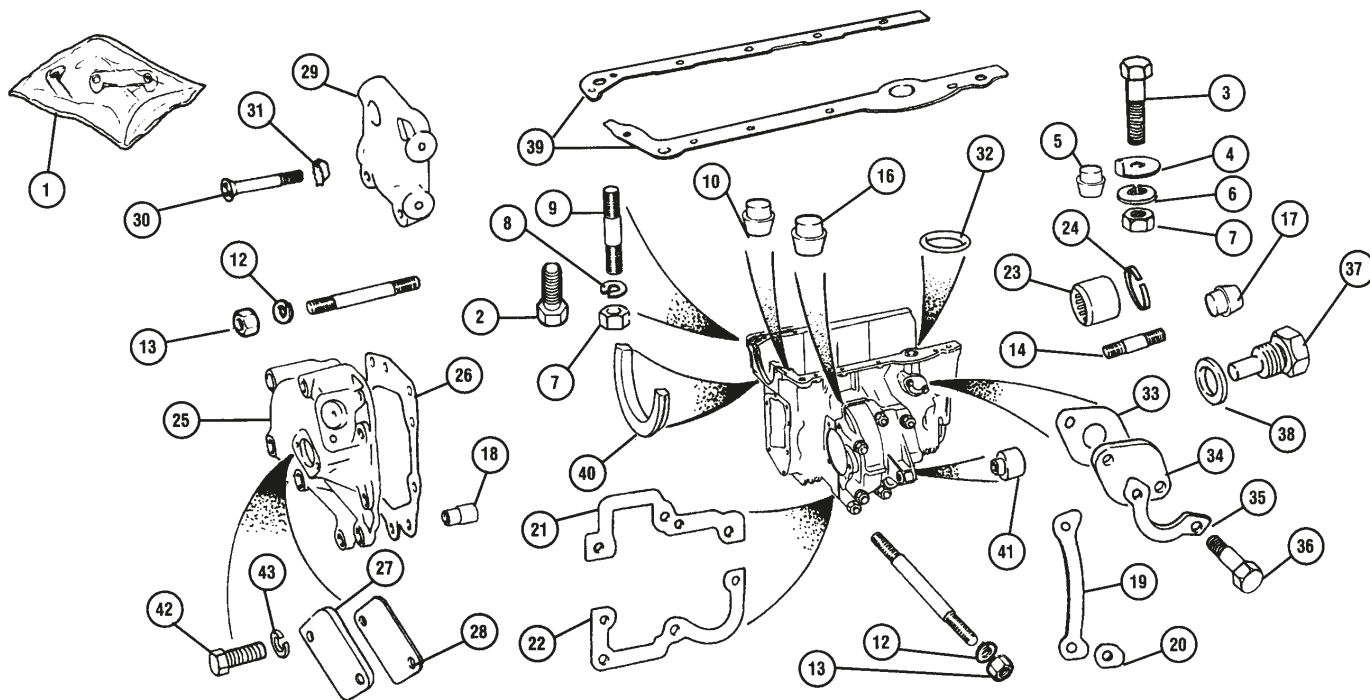
ill.	Part Number	Price Eea.	Description	Req.	Details
Clutch Hydraulics & Pedal					
1	GMC1008	£50.00	MASTER CYLINDER, clutch, plastic	1	
	AAU4969	£75.00	MASTER CYLINDER, clutch, metal body	1	original
2	GRK3007	£12.70	SEAL KIT, 1 ring seal, 1 cap seal	1	early spec, To 1985
	GRK3007Z	£4.66	SEAL KIT, 1 ring seal, 1 cap seal	1	early spec, alternative, To 1985
	GRK3004Z	£5.30	SEAL KIT, 2 ring seals	1	late spec, 1985-On
3	513123A	£3.85	CAP, fluid reservoir	1	
4	31G279	£2.05	WASHER, under master cylinder	1	
5	FNZ505	£0.72	NUT, master cylinder to bracket	2	
6	GHF332	£0.40	WASHER, locking	2	
7	GPP12AA	£13.00	PIPE, master cylinder to hose	1	RHD
	GPP32AA	£15.40	PIPE, master cylinder to hose	1	LHD
9	GVP1020	£9.00	HOSE, pipe to slave cylinder	1	diaphragm clutches
	21A2234Z	£11.90	HOSE, pipe to slave cylinder	1	To 1980
	GBL808122	£17.70	HOSE, pipe to slave cylinder (From master cylinder to slave cylinder eliminates use of solid intermediate pipe, diaphragm clutches).	1	stainless steel, braided
	GBL808120	£15.00	HOSE, pipe to slave cylinder (Diaphragm clutches).	1	To 1983, stainless, braided
10	GVP1009	£12.90	HOSE, pipe to slave cylinder	1	Verto clutches
	GBL808121	£19.90	HOSE, pipe to slave cylinder (Banjo end, Verto clutches).	1	1983-On stainless steel braided
	GBL808122	£17.70	HOSE, pipe to slave cylinder (From master cylinder to slave cylinder, Banjo both ends, Verto clutches).	1	1983-On stainless steel braided
11	2K8686	£1.40	NUT, pipe to bulkhead	1	
12	WE600101	£0.47	WASHER, locking	1	
13	C5192A	£6.76	BOLT, banjo, hose to cylinder	1	Verto clutches
14	3H550	£0.64	WASHER, copper, large	1	
15	233220A	£0.89	WASHER, copper, small	1	
16	GSY110	£29.00	SLAVE CYLINDER	1	diaphragm clutches
17	GRK4008	£7.40	SEAL KIT	1	hose screw into body
	GRK4008Z	£2.80	SEAL KIT, aftermarket	1	
18	GSY118	£43.00	SLAVE CYLINDER	1	Verto clutches
17	GRK4001	£6.50	SEAL KIT	1	
	GRK4001Z	£4.50	SEAL KIT, aftermarket	1	banjo holds hose to body
19	3H2428	£1.10	BLEED NIPPLE	1	
20	13H396	£6.60	PUSH ROD	1	

Note: For clevis pin and fittings please see General Hardware at the back of this catalogue.

21	SH506101	£0.98	SCREW, slave cylinder to housing	2	To fit GSY110
22	GHF105	£0.41	SCREW, slave cylinder to plate	2	To fit GSY118
23	GHF333	£0.30	WASHER, locking	2	
24	DAM5992	£25.20	PLATE, slave cylinder	1	
25	GHF165	£0.41	SCREW, plate to housing	2	
26	GHF333	£0.30	WASHER, locking	2	
27	SH604141	£0.66	BOLT, plate to housing via spacer	1	use with GSY118
28	GHF331	£0.38	WASHER, spring	1	
29	17H2518	£3.10	SPACER	1	alternative CTF
30	2A3034	£6.30	BUSH, in pedal	2	for brake & clutch
31	2A5880	£36.60	PIVOT PIN	1	
32	GHF222	£0.55	NUT, nyloc	1	
33	CLZ512	£1.80	CLEVIS PIN, pedal to master cylinder	2	
34	GHF503	£0.30	SPLIT PIN	2	
35	GPR104A	£1.10	RUBBER, brake & clutch pedal	2	To 1976
	GPR107A	£1.45	RUBBER, brake & clutch pedal	2	1976-90
	SZU10001	£6.00	RUBBER, brake & clutch pedal	2	1990-On

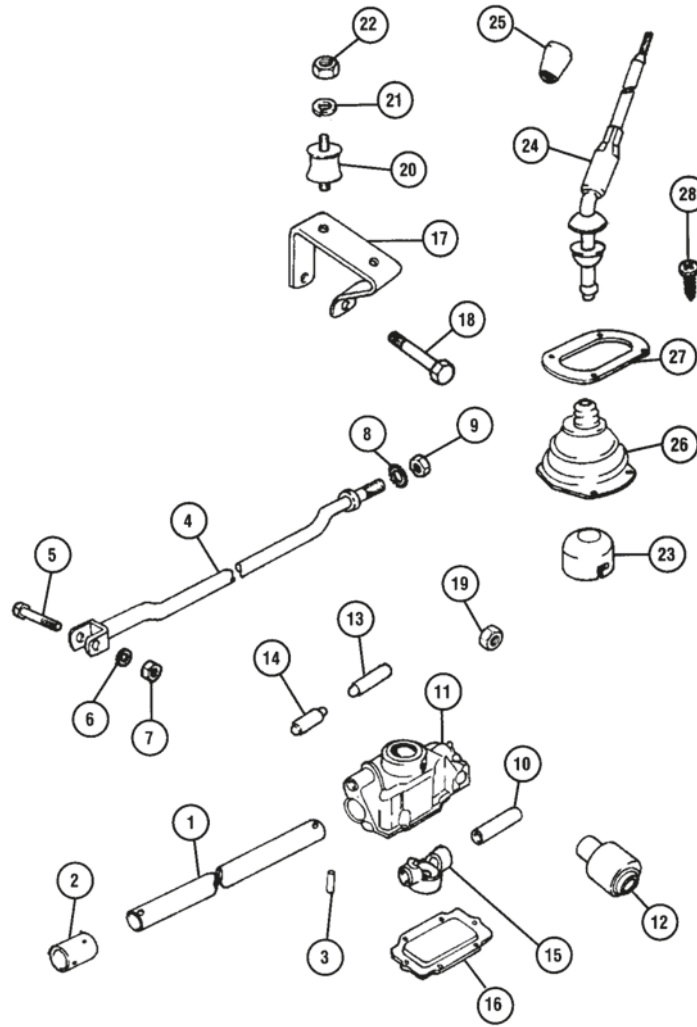


36	GBF4102	£6.80	BRAKE/CLUTCH FLUID, DOT4	a/r	500ml
	GBF4103	£12.50	BRAKE/CLUTCH FLUID, DOT4	a/r	1 litre
	GBF4104	£48.50	BRAKE/CLUTCH FLUID, DOT4	a/r	5 litre
37	GBF5102	£11.70	BRAKE/CLUTCH FLUID, DOT5.1	a/r	racing 500ml
	GBF5103	£15.95	BRAKE/CLUTCH FLUID, DOT5.1	a/r	racing 1 litre



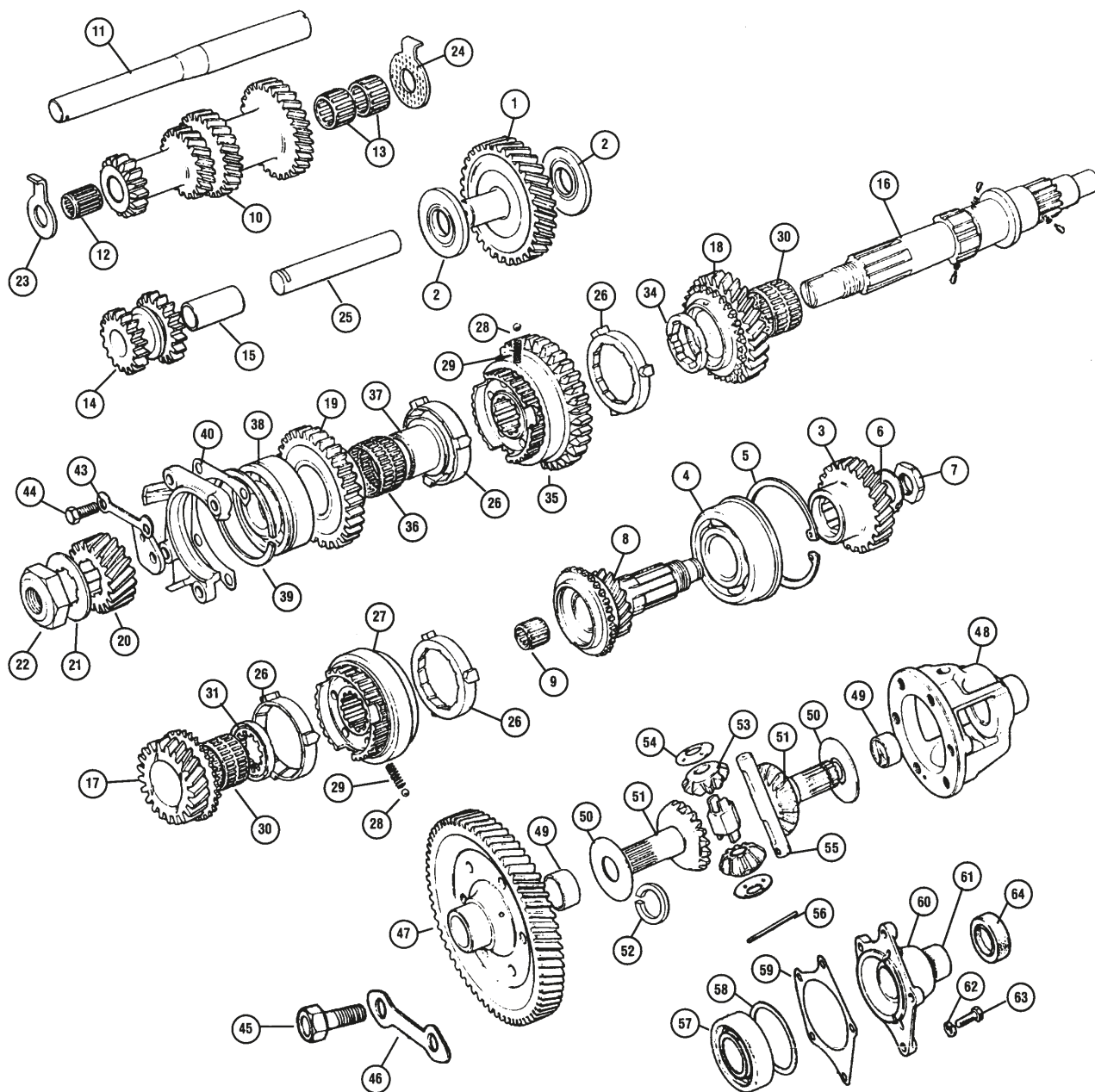
ill.	Part Number	Price £ea.	Description	Req.	Details
Gearbox Externals					
1	18G8085	NCA	KIT, gearbox lock tabs	1	
2	GHF102	£0.60	BOLT, long, block to gearbox	5	
	GHF101	£0.30	SCREW, short, block to gearbox	5	
3	BH604141	£1.10	BOLT, rear dowel	1	
4	12A1150	NCA	COLLAR, rear of block	1	
5	22H983	NCA	DOWEL, hollow block to gearbox	1	rear
6	GHF300	£0.22	WASHER, locking	1	
7	GHF200	£0.22	NUT, plain, block to gearbox	1	
8	GHF331	£0.38	WASHER, spring 1/4"	13	
9	FHS2410	£1.80	STUD, thin flange block	2	A+ models
10	12H1824	NCA	DOWEL, block to gearbox	1	front
11	TAM1617	£8.40	STUD, long	4/2	
	22G1834	NCA	STUD, short	2	
12	GHF332	£0.40	WASHER, locking	6	
13	FNZ506	£0.70	NUT, diff. housing stud 3/8" UNF	4	
	FNZ505	£0.72	NUT, diff. housing stud+front cover	6	5/16" UNF
14	22A152	£3.20	STUD, flywheel housing, long	6	
	53K547	£1.20	STUD, flywheel housing, short	3	
16	22A153	NCA	DOWEL, diff. housing	2	
17	22A97	NCA	DOWEL, flywheel housing	2	
18	22A13	NCA	DOWEL, speedo drive housing	2	
19	42H500	NCA	LOCKTAB, diff. housing	1	
20	22A251	NCA	LOCKTAB, diff. housing	1	
21	2A3505B	£0.37	GASKET, upper, diff. housing	1	
22	2A3506B	£1.52	GASKET, lower, diff. housing	1	pre rod change
	22G1836B	£0.54	GASKET, lower, diff. housing	1	rod change
	GGL1009	£16.50	RTV BLACK SILICONE COMPOUND	1	(Rover now use silicone in place of these gaskets for upper and lower differential housing).
23	13H7848	£6.90	BEARING, idler gear	1	(1.065" O/D, 0.750" I/D)

ill.	Part Number	Price £ea.	Description	Req.	Details
	DAM3745	£18.90	BEARING, idler gear	1	(1.375" O/D, 0.750" I/D)
	AHU1707	£14.40	BEARING, idler gear	1	(1.375" O/D, 0.875" I/D)
24	51K3565	NCA	CIRCLIP, (when 13H7848 fitted)	1	
25	DAM5219	NCA	COVER, speedo drive housing	1	
26	22A541B	£1.00	GASKET, drive housing	1	
27	2A3626	NCA	PLATE, speedo drive housing	1	
28	GUG705564GM	NCA	GASKET, speedo drive case plate	1	
29	12G1318	NCA	ADAPTOR PLATE, rad' mounting	1	
30	12G1319	£1.75	SCREW, adaptor, gearbox casing	1	
31	6K9012	£0.70	WASHER, locking	1	
32	2A3606	£0.41	'O' RING, oil suction	1	case to block
33	22A542B	£1.75	GASKET, oil drilling	1	
34	2A3637	NCA	PLATE, oil drilling blanking	1	
	MS3313	£32.20	MAGNETIC TRAP	1	(Replaces plate with magnetic sump plug extra safety in oil delivery pipe).
35	2K4874	NCA	LOCKTAB	1	
36	BH604131	£1.04	BOLT, blanking plate to block	2	
37	DAM7335	£23.40	DRAIN PLUG, magnetic	1	
38	AED172	£1.21	WASHER, drain plug	1	
39	GUG3007SG	£3.76	GASKET SET, gearbox to engine	1	
	GUG3007SGA	£2.90	GASKET, gearbox to engine	1	front gasket
	GUG3007SGB	£2.90	GASKET, gearbox to engine	1	rear gasket with hole for oil pipe
40	AHU1959	£8.00	SEAL	1	crest front of crank
	AHU1959Z	£3.25	SEAL	1	to gearbox case
41	13H7286	£4.75	BUSH, gear lever steady rod	1	
42	SH504061	£0.30	SCREW, adaptor plate to housing	2	
43	GHF331	£0.38	WASHER, spring	2	
	GUG708010TS	£12.20	GASKET SET, gearbox	1	
	GUG708010TSZ	NCA	GASKET SET, gearbox	1	



ill.	Part Number	Price £ea.	Description	Req.	Details
Gear Lever & Fittings					
1	22G1930	NCA	EXTENSION ROD, to gear lever	1	
2	42H1116	£28.50	COUPLING, for extension rod	1	
3	RPS1416	£2.80	ROLL PIN	3	coupling and extension rod
4	22A1936	£2.26	STEADY ROD, gearbox to gear lever	1	
	DAM5067	NCA	STEADY ROD, gearbox to gear lever	1	998cc To 1985
	UKN10032	NCA	STEADY ROD, gearbox to gear lever	1	1275cc 1985-On
5	BT605161	£1.25	BOLT, steady rod to gearbox	1	
6	GHF301	£0.24	WASHER, locking	1	
7	LNZ105	£0.95	NUT	1	
8	WA112081	£2.40	WASHER, star	1	
9	GHF275	£0.89	NUT	1	
10	42H1199	NCA	ROD, eye support	1	small type
11	DAM3670	NCA	HOUSING, gear lever	1	
12	42B413	£11.20	BUSH, housing steady	1	
13	DAM2670	£2.95	RETAINER PIN, long, gear lever	1	gear lever locator
14	22G2277	NCA	RETAINER PIN, short, gear lever	1	
15	22G2792	£40.60	EYE, extension rod	1	
	22G389	NCA	BUSH SEAT	1	cup seat bottom of gear lever
16	DAM8621	NCA	BASE PLATE, gear lever housing	1	
17	22G2026	NCA	BRACKET, floor to housing	1	
18	BT606281	NCA	BOLT, bracket to housing	1	
19	LNZ106	£1.64	NUT, locking	1	
20	22G2205	£3.50	MOUNTING, bracket to housing	2	
	21A956Z	£6.60	MOUNTING REAR	1	remote gear housing to under floor bracket
21	GHF332	£0.40	WASHER	4	
22	GHF201	£0.14	NUT	4	
23	22G1434	NCA	RETAINER, gear lever	1	
24	22A1932	NCA	ASSEMBLY, gear lever	1	
	MRAC1751	£42.65	GEAR LEVER, quick shift	1	rod type
	KAD1013218	£96.70	GEAR LEVER, quick shift	1	remote type

ill.	Part Number	Price £ea.	Description	Req.	Details
25	DAM4440	NCA	KNOB, gear lever	1	
26	CZH4278	£35.50	GAITER, gear lever	1	rod type
	22A608	£29.56	GAITER, gear lever	1	remote type
27	FJN10003	£2.63	RETAINER, for gaiter	1	rod type
	14A9942	£16.80	RETAINER, for gaiter	1	remote type
28	GHF426	£0.22	SCREW, gaiter retainer	4	



Part Number	Price £ea.	Description	Req.	Details
22G943	£101.50	GEAR, idler 31 teeth, shaft dia 0.75"	1	pre A+
CSTR30	£65.40	GEAR, idler 30 teeth, shaft dia 0.75"	1	pre A+ straight cut EVO
CSTR31	£208.20	GEAR, idler 30 teeth shaft dia 0.75" (Roller bearing).	1	pre A+ straight cut EVO
DAM2924	£134.70	GEAR, idler 37 teeth, shaft dia 0.875"	1	998cc A+ and Cooper 1300
CSTR30A	£64.80	GEAR, idler 30 teeth, shaft dia 0.875"	1	A+ straight cut EVO
CSTR30TA	£171.95	GEAR, idler 30 teeth, shaft dia 0.875" (Timken bearing).	1	A+ straight cut EVO
CSTR31	£208.20	GEAR, idler 30 teeth, shaft dia 0.875" (Roller bearing).	1	A+ straight cut EVO
MRAC104	£218.60	DROP GEARS S/C, straight cut set	1	1-1 ratio 1275cc A+
MRAC105	NCA	DROP GEARS S/C, straight cut set	1	1-1 ratio 1275cc A

Thrust Washers For Pre A+

2	22A154Z	£19.30	THRUST WASHER, idler, green	a/r	0.130-0.131"
	22A1546	£18.90	THRUST WASHER, idler, black	a/r	0.132-0.133"
	22A1547	£21.70	THRUST WASHER, idler, white	a/r	0.134-0.135"
	22A1548	£18.30	THRUST WASHER, idler, blue	a/r	0.136-0.137"
	22A1549	NCA	THRUST WASHER, idler, red	a/r	0.138-0.139"
	DAM4822	£26.40	THRUST WASHER, idler, no code	a/r	0.131-0.133"

Part Number	Price £ea.	Description	Req.	Details	
DAM5914	NCA	THRUST WASHER, idler	a/r	0.130-0.135"	
DAM4823	£31.20	THRUST WASHER, idler, yellow	a/r	0.134-0.135"	
DAM4824	£26.40	THRUST WASHER, idler, red	a/r	0.136-0.137"	
DAM4825	£25.50	THRUST WASHER, idler, blue	a/r	0.138-0.139"	
3	22G849	£58.90	GEAR, 1st motion, 24 teeth	1	pre A+
	DAM2925	NCA	GEAR, 1st motion, 29 teeth	1	998cc A+ & Cooper 1300cc
	CSTR230	NCA	GEAR, 1st motion, 23 teeth	1	straight cut EVO
	CSTR240	NCA	GEAR, 1st motion, 24 teeth	1	straight cut EVO (Can be used with different primary gear to change gear ratio).
	CSTR250	£57.90	GEAR, 1st motion, 25 teeth	1	straight cut EVO (Can be used with different primary gear to change gear ratio).
	MRAC104	£218.60	DROP GEARS S/C, straight cut set	1	1-1 ratio 1275cc A+
	MRAC105	NCA	DROP GEARS S/C, straight cut set	1	1-1 ratio 1275cc A series
4	ADU7619	£39.50	BALL BEARING, 1st motion	1	
5	22G850	NCA	CIRCLIP, bearing	1	alternatives
	22G851	NCA	CIRCLIP, bearing	1	
6	DAM4000	£1.90	LOCK TAB, washer	1	
7	2A3548	£6.60	NUT	1	
8	22G1093	£76.60	SHAFT, 1st motion	1	retains nose bearing
	2A3643	£4.50	CIRCLIP, 1st motion shaft	1	
9	CHM172	£5.70	BEARING, needle	1	
10	22G927	NCA	LAYGEAR, 15, 20, 25, 29 teeth	1	

Ill.	Part Number	Price £ea.	Description	Req.	Details
11	22A1371Z	£18.60	LAYSHAFT	1	3 synchro gearbox
	22G931	£25.50	LAYSHAFT	1	engine No. ranges
12	13H9513	£4.70	BEARING, needle roller, small end	1	To 99H829P/871
13	CHM141	£4.15	BEARING, needle roller, large end	2	99H889AJ/423
14	22G1852	NCA	GEAR, reverse idler	1	99H889V/2864 +
15	22G825	NCA	BUSH, reverse gear	1	To 99H791P/320664
16	22G833	£153.10	SHAFT, 3rd motion	1	
17	22G1095	NCA	SPEED GEAR, 3rd	1	
18	22G1094	£96.00	SPEED GEAR, 2nd	1	
19	22G1096	£96.00	SPEED GEAR, 1st	1	
20	22A413	£48.90	PINION, final drive, 3.44:1	1	
	22A399	£21.40	PINION, final drive, 3.7:1	1	
	DAM5927	NCA	PINION, final drive, 2.95:1	1	
8	DAM3092	NCA	SHAFT, 1st motion	1	
	2A3643	£4.50	CIRCLIP, 1st motion shaft	1	retains nose bearing
9	13H9513	£4.70	BEARING, needle roller	1	
10	DAM3169	NCA	LAYGEAR, 15, 20, 25, 29 teeth	1	
11	DAM3187	£25.20	LAYSHAFT	1	
12	13H9513	£4.70	BEARING, needle roller, small end	1	A+ engine ranges
13	CHM141	£4.15	BEARING, needle roller, large end	2	99H829P/872 On
14	TUB10020	NCA	GEAR, reverse idler, 1 bush	1	99H889AJ/4234 On
	TUB10020	NCA	GEAR, reverse idler, 2 bush	1	99H889V/2865 On
15	22G825	NCA	BUSH, for DAM3189	1	99H791P/320665 On
	TUJ10001	£7.20	BUSH, for TUB10020	2	To 99H791P/Z500101
16	DAM168	NCA	SHAFT, 3rd motion	1	To 99HA53P/100101
	DAM7484	NCA	SHAFT, 3rd motion	1	
17	22G1095	NCA	GEAR, 3rd speed	1	
18	22G1094	£96.00	GEAR, 2nd speed	1	
19	22G1096	£96.00	GEAR, 1st speed	1	
20	DAM2679	£55.20	PINION, final drive, 3.44:1	1	
	DAM5927	NCA	PINION, final drive, 2.95:1	1	
8	DAM3167	NCA	SHAFT, 1st motion	1	18 teeth 1275cc GT
	DAM4930	£98.40	SHAFT, 1st motion	1	17 teeth
	2A3643	£4.50	CIRCLIP, 1st motion shaft	1	retains nose bearing
9	13H9513	£4.70	BEARING, needle roller	1	
10	DAM4931	NCA	LAYGEAR, 15, 21, 26, 30 teeth	1	A+ engine ranges
11	DAM3187	£25.20	LAYSHAFT	1	99H791P/Z500101 On
12	13H9513	£4.70	BEARING, needle roller, small end	1	99HA53P/100101 On
13	CHM141	£4.15	BEARING, needle roller, large end	2	all 99HB81P, B83P,
14	TUB10020	NCA	GEAR, reverse idler, 1 bush	1	B84P, B85P, C20P,
	TUB10020	NCA	GEAR, reverse idler, 2 bush	1	D80P, D81P, D83P,
15	TUJ10001	£7.20	BUSH, reverse gear	1/2	E20, E22, F15, F16,
16	DAM7484	NCA	SHAFT, 3rd motion	1	G30, G31, G32, G33,
17	DAM4933	£182.70	GEAR, 3rd speed	1	all Cooper 1300cc
18	DAM4932	NCA	GEAR, 2nd speed	1	
19	22G1096	£96.00	GEAR, 1st speed	1	
20	DAM2679	£55.20	PINION, final drive, 3.4:1	1	
	DAM2808	£101.10	PINION, final drive, 3.1:1/3.2:1	1	
21	DAM6140	£1.90	LOCK TAB, pinion to 3rd motion shaft	1	
22	22G48	£7.60	NUT, pinion	1	
			(Use with 3rd motion shaft 22G833 & DAM168).		
	DAM7485	£5.00	NUT, pinion	1	(Use with 3rd motion shaft DAM7484).

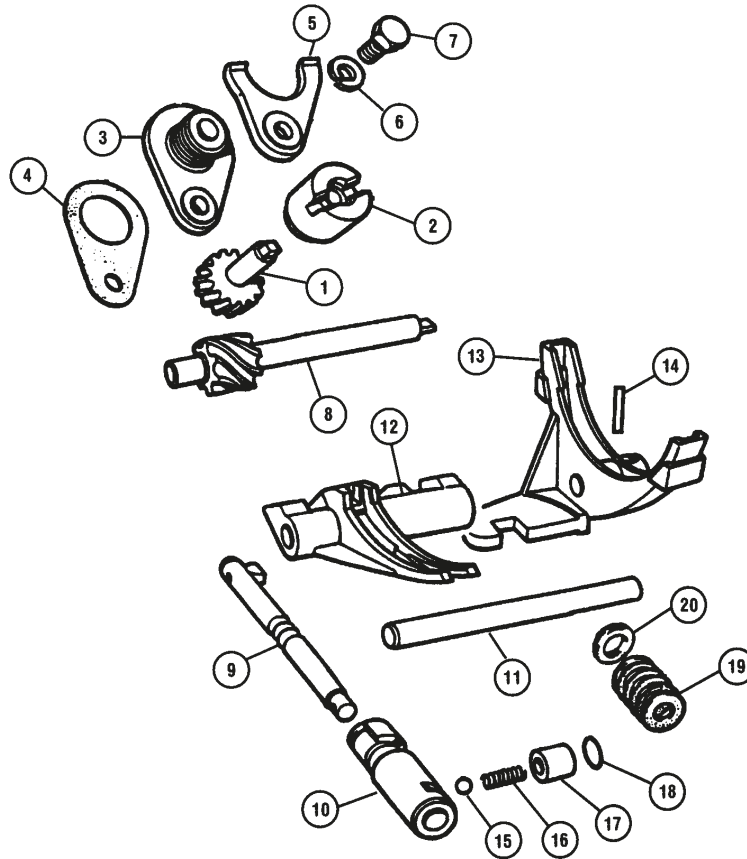
Thrust Washers For Pre A+

23	22G856	NCA	T/WASHER, laygear, 0.123-124"	a/r	3.12-3.14mm
	22G857	NCA	T/WASHER, laygear, 0.125-126"	a/r	3.17-3.20mm
	22G858	NCA	T/WASHER, laygear, 0.127-128"	a/r	3.22-3.25mm
	22G859	NCA	T/WASHER, laygear, 0.130-131"	a/r	3.30-3.32mm

Thrust Washers For A+

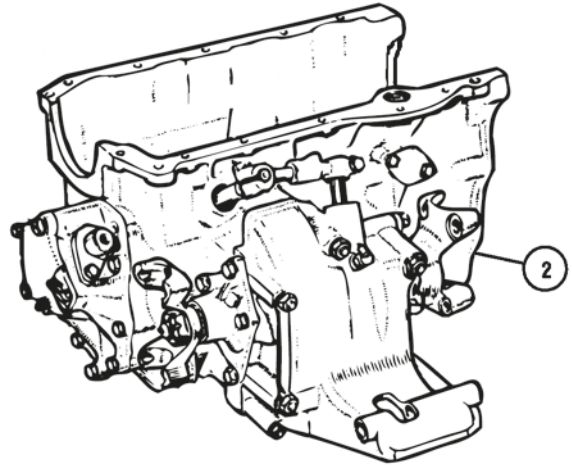
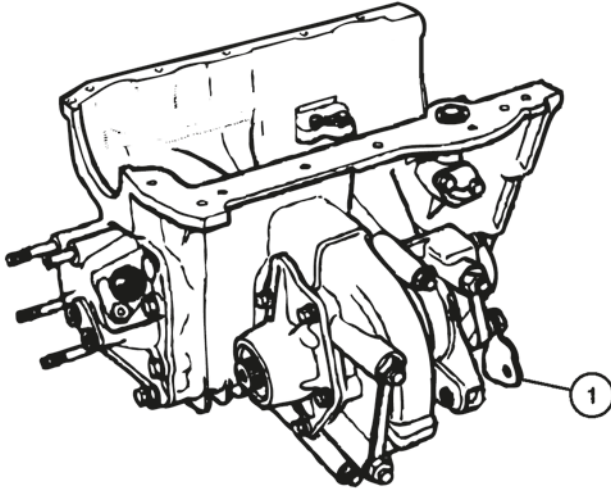
	DAM3180	NCA	T/WASHER, laygear, 0.121-123"	a/r	3.07-3.12mm
	DAM3181	NCA	T/WASHER, laygear, 0.124-126"	a/r	3.10-3.20mm
	DAM3182	NCA	T/WASHER, laygear, 0.127-129"	a/r	3.22-3.27mm
	DAM3183	NCA	T/WASHER, laygear, 0.130-132"	a/r	3.30-3.35mm
24	22G860	£16.80	T/WASHER, laygear, large	1	
25	DAM8038	NCA	SHAFT, reverse idler gear	1	
26	22G2033	£15.16	BAULK RING	4	all gears
27	DAM7456	£233.50	HUB, 3rd & 4th synchro	1	
28	BLS107	£0.41	BALL BEARING, synchro hubs	6	3 per hub
29	22G2262	£1.75	SPRING, synchro hubs	6	3 per hub
30	AAU1816	£48.90	BEARING, 2nd & 3rd gear	2	needle roller
31	22G947	NCA	THRUST WASHER, 3rd gear	1	
34	22G839	NCA	THRUST WASHER, 2nd gear	1	
35	DAM7455	£233.50	HUB, synchro, 1st & 2nd	1	
36	AAU1815	£28.40	BEARING, needle roller	1	
37	22G837	NCA	JOURNAL, 1st gear	1	
38	AAU1365	£55.40	BALL BEARING, 3rd motion shaft	1	
39	ADU4992	NCA	SPRING RING, 3rd motion bearing	1	
40	2A3714	£1.62	SHIM, 0.002"	a/r	
	2A3715	£1.34	SHIM, 0.010"	a/r	
43	DAM2377	£3.60	LOCK TAB	2	
44	SH505071	£0.47	SCREW, retainer	4	
45	ATA7043	£1.21	BOLT, crown wheel to cage	6	
46	ATA7385	£2.50	LOCK TAB, crown wheel bolt	3	

Ill.	Part Number	Price £ea.	Description	Req.	Details
Crown Wheels For Pre A+					
47	22A411	NCA	CROWN WHEEL, 62 teeth, 3.4:1	1	18 tooth pinion
Crown Wheels For A+					
	DAM2677	NCA	CROWN WHEEL, 62 teeth, 3.4:1	1	18 tooth pinion
	DAM6327	£271.50	CROWN WHEEL, 59 teeth, 3.1:1	1	19 tooth pinion
	DAM2806	NCA	CROWN WHEEL, 61 teeth, 3.2:1	1	19 tooth pinion
	DAM5925	NCA	CROWN WHEEL, 59 teeth, 2.95:1	1	20 tooth pinion
Competition Crown Wheel And Pinion Sets					
	CBTA1001	NCA	CROWN WHEEL + PINION, 3.46:1	1	(Stronger semi helical cut teeth for std or cross pin differentials).
	CBTA1002	NCA	CROWN WHEEL + PINION, 3.76:1	1	(Stronger semi helical cut teeth for std or cross pin differentials).
	CBTA1003	NCA	CROWN WHEEL + PINION, 3.93:1	1	(Stronger semi helical cut teeth for std or cross pin differentials).
	CBTA1004	NCA	CROWN WHEEL + PINION, 4.07:1	1	(Stronger semi helical cut teeth for std or cross pin differentials).
	CBTA1005	NCA	CROWN WHEEL + PINION, 4.31:1	1	(Stronger semi helical cut teeth for std or cross pin differentials).
	CBTA1006	NCA	CROWN WHEEL + PINION, 4.57:1	1	(Stronger semi helical cut teeth for std or cross pin differentials).
	CBTA1007	NCA	CROWN WHEEL + PINION, 4.67:1	1	(Stronger semi helical cut teeth for std or cross pin differentials).
	CBTA1250	NCA	CROWN WHEEL + PINION, 3.46:1	1	(Stronger semi helical cut teeth for limited slip differentials only).
	CBTA1248	NCA	CROWN WHEEL + PINION, 3.76:1	1	(Stronger semi helical cut teeth for limited slip differentials only).
	CBTA1252	NCA	CROWN WHEEL + PINION, 3.93:1	1	(Stronger semi helical cut teeth for limited slip differentials only).
	CBTA1246	NCA	CROWN WHEEL + PINION, 4.07:1	1	(Stronger semi helical cut teeth for limited slip differentials only).
	CBTA1251	NCA	CROWN WHEEL + PINION, 4.23:1	1	(Stronger semi helical cut teeth for limited slip differentials only).
	CBTA1249	NCA	CROWN WHEEL + PINION, 4.31:1	1	(Stronger semi helical cut teeth for limited slip differentials only).
	CBTA1253	NCA	CROWN WHEEL + PINION, 4.67:1	1	(Stronger semi helical cut teeth for limited slip differentials only).
	CBTA1250EVO	NCA	CROWN WHEEL + PINION, 3.47:1	1	(Straight cut teeth for limited slip differentials only).
48	MRAC106	£191.50	DIFF. UNIT, cross pin	1	four planet gears
	CAJJ3385	NCA	DIFF. UNIT, cross pin	1	four planet gears EVO
	CAJJ3387	NCA	DIFF. UNIT, limited slip differential	1	race
			(90/35 ramped Evolution LSD is an upgraded version of the popular Salisbury clutch type LSD).		
	CAJJ3387A	NCA	DIFF. UNIT, limited slip differential	1	rally, 45/45 ramp
	CAJJ3387B	NCA	DIFF. UNIT, limited slip differential	1	rally, 90/50 ramp
49	ATA7378	£5.70	BUSH, diff. housing & crown wheel	2	
50	BTA101	£2.10	THRUST WASHER, fibre	2	
51	22G1952	NCA	SHAFT, differential output	2	pre A+
	DAM3114	NCA	SHAFT, differential output	2	all A+
	CCN122	£1.72	CIRCLIP, LSD output shaft	2	required to hold output shafts to differential side plate
52	22G2688	£7.10	CIRCLIP, output shaft	2	
53	2A7015	NCA	PLANET GEAR	2	pre A+
	DAM6624	£14.40	PLANET GEAR	2	all A+
54	2A7062	£3.20	T/WASHER, planet gear, 0.035"	2	no lip
	2A7062Z	£3.10	T/WASHER, planet gear, 0.054"	2	
	DAM5071	£4.66	T/ WASHER, planet gear to cage	2	with lip
55	C-BTA166	£16.20	DIFF. PIN, competition	1	
56	RPS1418	£1.06	ROLL PIN, cross pin to diff. cage	1	
57	AHU1856	£13.80	BEARING, differential cage	2	
58	2A3535B	NCA	SHIM, differential bearing, 0.002"	a/r	
	2A3534B	NCA	SHIM, differential bearing, 0.003"	a/r	
	DAM3108	£1.80	SHIM, differential bearing, 0.006"	a/r	
	DAM3109	£1.36	SHIM, differential bearing, 0.010"	a/r	
	DAM3633	£1.57	SHIM, differential bearing, 0.020"	a/r	
59	TRK10004B	£0.95	GASKET, output shaft cover	2	
60	CHM85	£76.20	HOUSING, output shaft	2	
61	2A3538	£3.40	BUSH, output shaft housing	2	
62	GHF332	£0.40	WASHER, locking	10	
63	SH505101	£0.79	SCREW	10	bearing to differential housing
64	ADU5738	£1.16	SEAL, output shaft housing	2	
	AHU1082	£2.30	SEAL, output shaft housing	2	hardy Spicer S type



ill.	Part Number	Price £ea.	Description	Req.	Details
Gearbox Internals					
1	22A1881	NCA	PINION, speedo 17 teeth	1	To 1984 10" wheels
	DAM2905	£19.20	PINION, speedo 16 teeth	1	12" wheels
2	2A3624	NCA	BUSH, metal seating	1	
3	DAM8488	NCA	ADAPTOR, speedometer	4	cable to pinion housing
4	2A3628	NCA	GASKET	1	
5	22A862	NCA	FORK	1	
6	GHF331	£0.38	WASHER, locking	1	
7	SH504071	£0.47	SCREW, fork retaining	1	
8	2A3720	£56.70	SPINDLE, speedo drive, (6 teeth)	1	10" wheels
	DAM6028	£78.00	SPINDLE, speedo drive, (7 teeth)	1	blue gear 12" wheels
9	22G1858	£87.90	SHAFT SELECTOR	1	
10	22G1844	NCA	INTERLOCKING SPOOL	1	
11	22G1854	NCA	SHAFT SELECTOR	1	for selector forks
12	DAM7425	£120.60	SELECTOR FORK, 1st & 2nd	1	
13	TSP100400	NCA	SELECTOR FORK, 3rd & 4th	1	
14	22G2595	£2.40	ROLL PIN, (fork to rod), 3rd & 4th	1	
15	BLS110	£0.41	DETENT BALL	1	
16	22G2083	£0.47	DETENT SPRING	1	
17	22G1870	NCA	DETENT SLEEVE	1	
18	22G1417	£0.72	'O' RING, for sleeve	1	
19	DAM3022	£2.40	GAITER, rod change oil seal	1	

ill.	Part Number	Price £ea.	Description	Req.	Details
20	AHU1672	£2.00	OIL SEAL, gear linkage	1	rod change
	AHU1672Z	£1.31	OIL SEAL, gear linkage, aftermarket	1	gear linkages
	CAJJ4014	£541.00	GEAR KIT, remote	1	straight cut
	CSTN76	NCA	GEAR KIT, rod	1	straight cut
	CSTN77	£541.00	GEAR KIT, rod A+	1	straight cut
	CAHT54	£30.60	PICK UP PIPE, central	1	
(To ensure a constant supply of oil during hard cornering).					



iii. Part Number Price £ea. Description Req. Details

Reconditioned Gearboxes

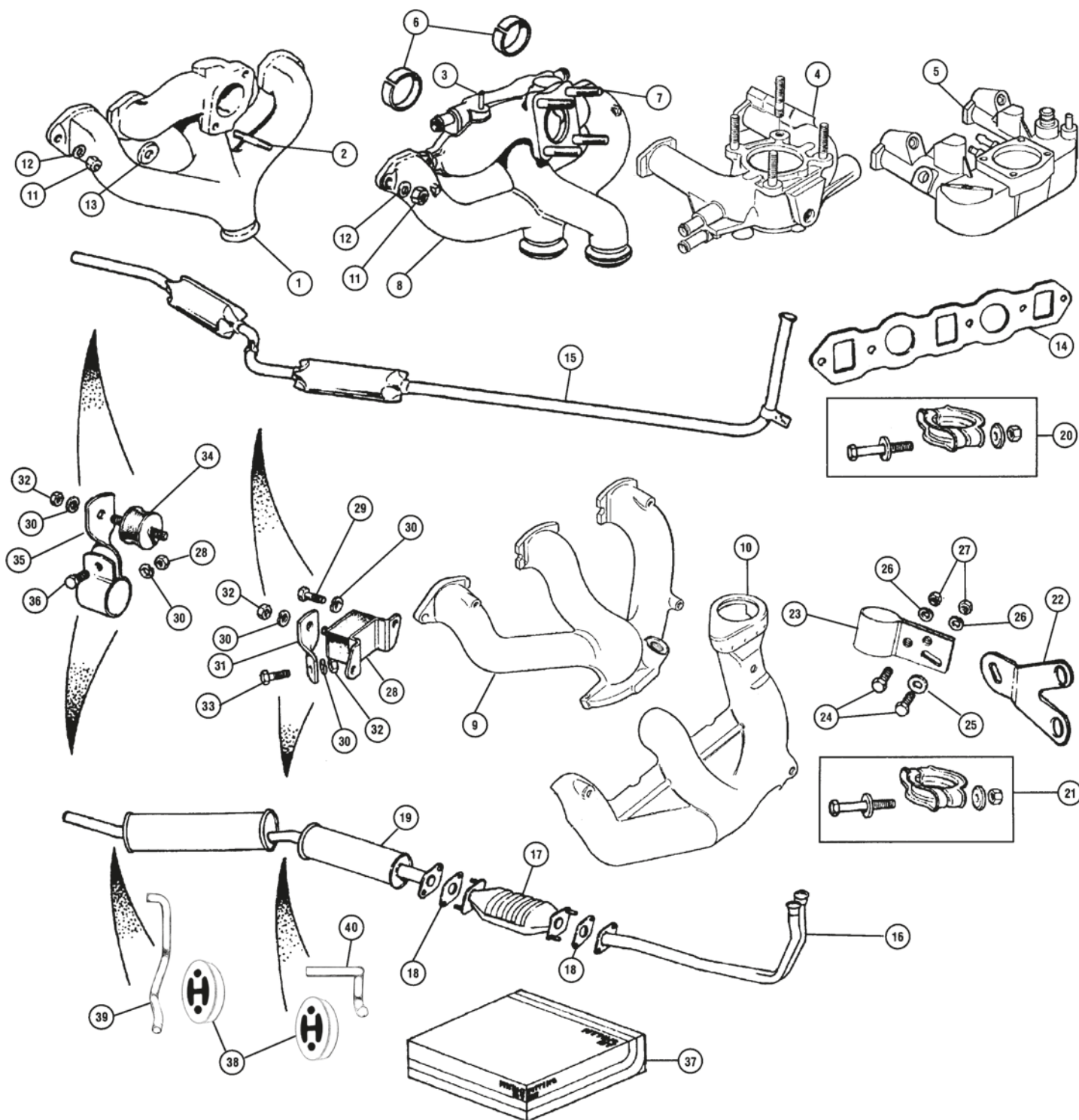
Reconditioned gearboxes are a great way to rectify problems with the Minis bottom end. Not everyone is able to strip down a Mini gearbox and rebuild it themselves as the procedure is quite complex.

Common problems with the Minis gearboxes are jumping out of gears when driven or stiffness selecting gears or crunching gears when selected. Some of these issues can be caused by bulk rings being badly worn or teeth on the gears being worn or missing. All these problems require the engine and gearbox to be removed from the in order to be rectified. Our reconditioned gearboxes are a great way to keep your Mini on the road where it belongs.

Please note you will need to retain the speedo pinion from your old gearbox and ensure you ask for the correct differential ratio! This is so your speedo reads correctly after fitting a reconditioned gearbox.

1	MT2101	£511.60	GEARBOX, reconditioned, exchange	1	rod type
2	MT2102	£511.60	GEARBOX, reconditioned, exchange	1	remote type

iii. Part Number Price £ea. Description Req. Details



ill.	Part Number	Price £ea.	Description	Req.	Details
Manifolds & Fittings					
1	12G3279		NCA MANIFOLD	1	998cc models
2	CHS2613	£1.55	STUD, 3/8" dia UNC/UNF 1-5/8" long	2	manifold to carburettor
	CHS2614	£1.49	STUD, 3/8" dia UNC/UNF 1-3/4" long	4	
	CHS2616	£1.43	STUD, 3/8" dia UNC/UNF 2" long	2	
	CHS2514	£2.26	STUD, 5/16" dia UNC/UNF 1-3/4" long	2	
	CHS2515	£1.43	STUD, 5/16" dia UNC/UNF 1-7/8" long	2	
	CHS2516	£2.40	STUD, 5/16" dia UNC/UNF 2" long	2	

ill.	Part Number	Price £ea.	Description	Req.	Details
3	CAM6618		NCA MANIFOLD, Inlet	1	Copper 1300cc + SE
4	LKB10477		NCA MANIFOLD, inlet	1	SPI 1991-On
5	LKB106930		NCA MANIFOLD, inlet	1	MPI 1996-On
	MT3603	£65.80	MANIFOLD, inlet	1	high flow alloy inlet
			(For 1.5" and 1.75" carburettors).		
	LP4012	£208.10	MANIFOLD, inlet	1	for twin SU's (HS2 or HS4)
	C-AEG489	£83.20	MANIFOLD, inlet	1	for twin SU's (HS4 or HS6)
	AEG349	£7.15	THROTTLE BRACKET	1	for twin SU's
	TT10850	£196.36	MANIFOLD, inlet	1	
			(Single Weber inlet manifold 10cm (4") long. Will require bulkhead mods.).		

ill.	Part Number	Price £ea.	Description	Req.	Details
	TMG10850	£226.60	MANIFOLD, inlet (Single Weber inlet manifold 15cm (6 inch) long. Will require bulkhead modifications).	1	
	TWM0071	£379.40	MANIFOLD, inlet (Single Weber inlet manifold 15cm (6 inch) long. Supplied complete with direct acting throttle linkage. Will require bulkhead modifications).	1	
	LP42411	£116.75	LINKAGE KIT (Single cable, these are very easily installed and offer smooth operation).	1	Weber single carburettor
6	12G297	£1.43	RING, manifold locating	2	
7	CHS2514	£2.26	STUD, short	2	
	CHS2516	£2.40	STUD, long	2	
8	CAM6745	NCA	MANIFOLD, exhaust	1	Copper 1300cc + SE
9	LKC10090	NCA	MANIFOLD, exhaust	1	SPI and MPI 1991-On
10	LKK10025	NCA	HEAT SHIELD, for injection manifold	1	SPI and MPI 1991-On
	GAC8463X	£128.00	MANIFOLD LCB (Maniflow long centre branch (LCB) exhaust manifold for applications up to 100bhp includes primary pipes and Y piece with clamps).	1	
	MT6502	NCA	MANIFOLD LCB (Long centre branch manifold with link pipe to catalyst, carburettor model).	1	
	MT6505	£173.00	MANIFOLD LCB (Long centre branch manifold with link pipe to catalyst, injection model, mild steel).	1	
	MT6502	NCA	MANIFOLD, Cooper freeflow	1	stainless steel
11	GHF261	£0.47	NUT, brass, manifold to cyl. head	6	all models
	GHF261A	£2.50	NUT, brass (Longer ST version of GHF261).	6	longer alternative
12	GHF301	£0.24	WASHER, plain	2	
13	12A1211	£0.90	WASHER, plain	4	
14	AJM601	£2.40	GASKET, manifold to cylinder head	1	
	LKJ100580EVA	£7.80	GASKET, manifold to cylinder head	1	MPI models
	GUG704063MG	£16.50	GASKET, manifold to cylinder head	1	ERA turbo
	TMG10836	£4.70	GASKET, manifold to cylinder head (Large bore allows fitment of performance exhaust manifolds with larger primary pipes).	1	

Exhausts & Fittings

15	GEX106	£55.50	EXHAUST SYSTEM, single box, 1 piece	1	saloon
	GEX106Z	£45.00	EXHAUST SYSTEM, single box, 2 pieces	1	saloon
	GEX154	£56.10	EXHAUST SYSTEM, twin box, 1 piece	1	saloon
	GEX177Z	£54.00	EXHAUST SYSTEM, twin box, 2 pieces	1	saloon
	GEX1285	£41.45	EXHAUST DOWNPIPE (For single box GEX1562 (from exhaust manifold to side exit kink at front of rear subframe).	1	front repair section
	GEX155	£64.60	EXHAUST SYSTEM, twin box, 1 piece	1	van & estate
	GEX155Z	£68.00	EXHAUST SYSTEM, twin box, 2 pieces	1	van & estate
16	GEX12052	£64.60	DOWNPIPE, single pipe	1	carb.std to catalyst
	WCP10021	NCA	SAMPLE PIPE attaches to GEX12052	1	C/O sample pipe
	GEX12017	£238.20	DOWNPIPE, twin pipes	1	Cooper 1300cc to catalyst
	GEX12043	£54.00	DOWNPIPE, twin pipes with flat face flange1300cc SPI and MPI to catalyst	1	
	GEX7779	£2.86	GASKET	1	for GEX12043
17	GEX8069	NCA	CATALYST ASSEMBLY	1	SPI and MPI 1991-On
	FX110041	£4.20	NUT, catalyst	4	
18	GEX7761	£2.10	GASKET, catalyst flange	2	
19	GEX33479	£142.20	TWIN BOX, rear (From catalyst back to VIN22123).	1	Cooper 1300cc
	GEX33515	£144.40	TWIN BOX, rear (From catalyst back from VIN22124).	1	Cooper 1300cc
	GEX33516	£109.70	TWIN BOX, rear	1	Cooper SPI from catalyst back
	GEX3674	NCA	SINGLE BOX, rear	1	1959-69
	C-STR811	£81.30	SINGLE BOX, rear (With intermediate pipe from catalyst).	1	RC40 rear box
	C-STR811S	£132.00	SINGLE BOX, rear (With intermediate pipe from catalyst).	1	stainless steel RC40 rear box
	GEX33519	£86.10	TWIN BOX, rear	1	standard SPI from catalyst back
	GEX33679	£237.00	TWIN BOX, rear	1	MPI from cat. back
20	GEX7046	£2.66	CLAMP, pipe to manifold	1	all 998cc models
21	GEX7801	£4.15	CLAMP, pipe to manifold	2	Cooper 1300cc + SE
22	GEX7526	£10.50	BRACKET, gearbox to front pipe	1	
23	GEX7053	£3.50	CLIP, front pipe to gearbox bracket	1	
24	SH605051	£1.00	SCREW, clip to bracket	2	998cc models
25	GHF301	£0.24	WASHER	2	
26	GHF331	£0.38	WASHER, locking	7	
27	GHF201	£0.14	NUT	2	
28	GEX7081	£2.30	MOUNTING, centre, rubber	1	
29	SH605051	£1.00	SCREW, mounting to subframe	2	
30	GHF332	£0.40	WASHER, locking	2	
31	GEX7082	£0.66	STRAP, centre, twisted	1	998cc models

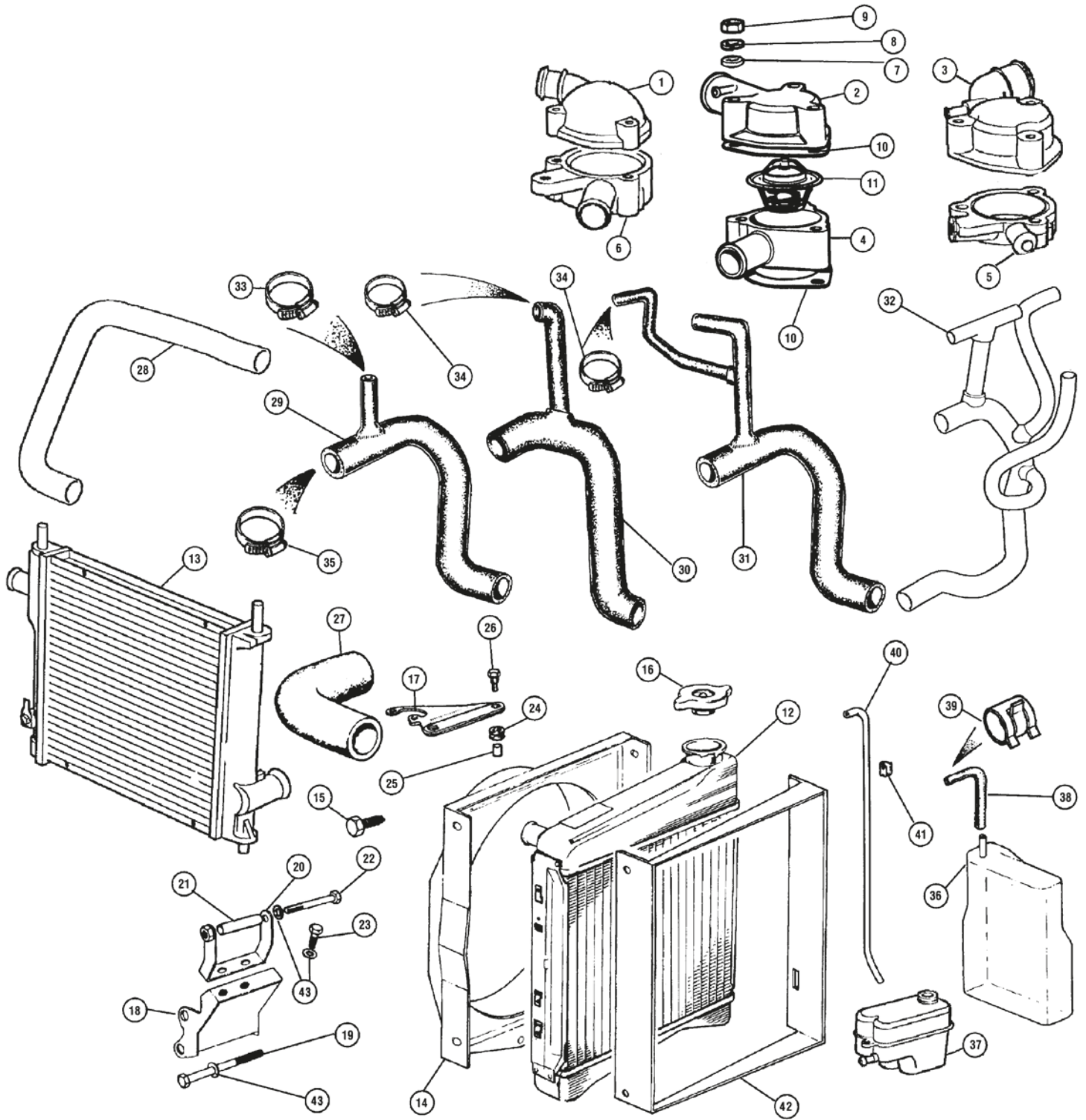
ill.	Part Number	Price £ea.	Description	Req.	Details
	GEX7273	£1.10	STRAP, centre, twisted	1	van, pickup, estate
	GEX7778	NCA	STRAP, centre, twisted	1	Cooper 1300cc + SE
	GEX7082	£0.66	STRAP, centre, twisted	1	1275cc GT, S, RC40
32	GHF201	£0.14	NUT	1	
33	SH605071	£0.64	SCREW, strap to centre clip	1	
34	GEX7251	£1.52	MOUNTING, bobbin, rubber	1/2	
35	GEX7084	£1.50	CLIP, rear mount, twisted	1	998cc models
	GEX7778	NCA	STRAP, twisted, rear	1	Cooper 1300cc + SE
	GEX7249	£2.30	STRAP, rear (Fits to subframe via two bobbins).	1	1275cc GT, S, RC40
36	GHF120	£0.30	SCREW, clip	1	
37	GEX9551	£12.30	FITTING KIT, exhaust	1	998cc models
	GEX40FK	£13.20	EXHAUST FITTING KIT	1	fitting kit for RC40 exhaust
38	GEX7661	£3.76	EXHAUST HANGER, rubber	2	late type exhaust
39	KHU10011	£3.60	HANGER BRACKET, large	1	requires welding
40	KHU10012	£2.80	HANGER BRACKET, small	1	to subframe

Performance Exhausts

Note: Also see accessories section for our full range of sports exhausts.

	GEX40RC	£60.76	EXHAUST SYSTEM, sports (Inc: intermediate pipe to downpipe).	1	RC40 two box system
	GEX50RC	£228.00	EXHAUST SYSTEM, sports (Two box system includes intermediate pipe to downpipe).	1	stainless steel RC40
	PM34	£31.60	LINK PIPE, stainless steel	1	to rear boxes
	MT6501	NCA	CARBON FIBRE REAR BOX (Carbon fibre box with stainless steel end caps, weighs just 3.7kg).	1	1992-On late type hangers
	AN180V	£17.40	INTERMEDIATE PIPE (Connects direct from Cooper freeflow manifold to performance rear boxes, requires shortening for LCB manifolds).	1	
	PME41	£156.30	REAR BOX (With outward rolled lip).	1	centre exit single tailpipe
	PME42	NCA	REAR BOX (With straight cut).	1	centre exit twin tailpipe
	FES200	£162.80	REAR BOX (With outward rolled lip).	1	side exit single tailpipe
	FES201	£207.90	REAR BOX (With DTM style upswept straight cut).	1	centre exit twin tailpipe
	WPE3001X	£16.15	FITTING KIT	1	
	WPE3002X	£28.20	FITTING KIT	1	
	WPE3003X	£42.50	FITTING KIT	1	
	WPE3004X	£9.90	FITTING KIT	1	
	WPE1104X	£4.50	BLANKING PLUG, lambda sensor	1	

Note: When fitting any exhaust system to the classic Mini check that the engine mounting and engine stabiliser bushes are in good condition! Excessive movement of the engine will damage the exhaust causing leaks and bad running. See the Engine mountings section.



ill.	Part Number	Price £ea.	Description	Req.	Details
Radiator and Hoses					
1	12G103	£8.10	HOUSING, thermostat	1	all 998cc and A series 1275cc
	12G103Z	NCA	HOUSING, thermostat	1	all 998cc and A series 1275cc
2	PEQ10010	NCA	HOUSING, thermostat	1	standard 1300cc 1990-On
	PEQ10019	£52.00	HOUSING, thermostat	1	Cooper 1300cc
3	PEQ100650	NCA	HOUSING, thermostat (Front mounted radiator).	1	MPI 1996-On
	PEQ100690	NCA	HOUSING, thermostat	1	SPI
4	PEM10036	£37.25	PLATE, thermostat housing	1	
5	PEG100030	£40.60	PLATE, thermostat housing (12mm drilling for MEK100060 temperature sensor).	1	sandwich plate MPI 1996-On
6	PEG10002	£49.00	PLATE, thermostat housing (10mm outlet).	1	sandwich plate
7	GHF301	£0.24	WASHER,	3	
8	GHF332	£0.40	WASHER, locking	3	
9	GHF201	£0.14	NUT	3	
	DAM7760	£2.90	BOLT, thermostat housing	3	housing & sandwich plate
10	GTG101	£0.41	GASKET, thermostat	a/r	
11	GTS102	£4.85	THERMOSTAT, 74°C, (165°F)	1	summer
	GTS104	£5.20	THERMOSTAT, 82°C, (180°F)	1	standard To 1985
	GTS106	£6.00	THERMOSTAT, 88°C, (190°F)	1	standard 1985-On
	AJJ4012	£6.50	THERMOSTAT, blanking sleeve kit	1	replaces thermostat
12	GRD210	£84.90	RADIATOR	1	all 998cc models
	GRD172	£84.60	RADIATOR	1	Cooper 1300cc
13	GRD974	£85.30	RADIATOR, front mounted	1	MPI 1996-On

High Performance Radiators

GRD4442	£162.40	RADIATOR, 2 core, road/race	1	high performance radiator
GRD4442TDF	NCA	RADIATOR, 3 core, road/race (With sensor boss at top).	1	high performance radiator
GRD4443	£172.55	RADIATOR, 2 core, road/race (With fan switch).	1	high performance radiator
GRD4444	£152.40	RADIATOR, 4 core, grass track	1	high performance radiator
MT3104	£262.70	RADIATOR, alloy	1	side mounted

Note: Aluminium radiators are made to high specification, aluminium radiators are substantially more efficient than the original unit in which they replace. This leads to an overall increase in performance and reliability.

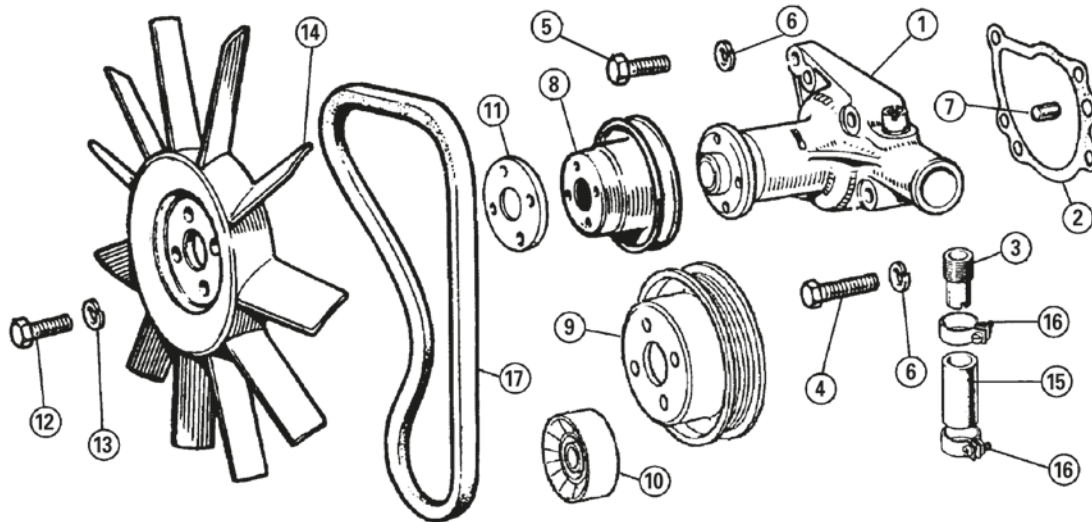
14	PGK10034	£91.60	COWLING, radiator	1	
15	SH604031	£1.10	SCREW, radiator to cowl	4	
16	GRC180	£3.05	RADIATOR CAP, 13 psi	1	998cc To 1976
	GRC180SS	£6.60	RADIATOR CAP, 13 psi, stainless steel	1	998cc To 1976
	GRC1110	£3.05	RADIATOR CAP, 15 psi	1	998cc 1976-On
	GRC1110SS	£6.30	RADIATOR CAP, 15 psi, stainless steel	1	998cc 1976-On
	GRC207	£5.80	EXPANSION CAP	1	Cooper 1300cc
17	CAM4619	£14.40	BRACKET, radiator top mount	1	all 998cc models
	12G617	£12.70	BRACKET, radiator top mount	1	1275cc and S
	12G617S	£12.10	BRACKET, radiator top mount	1	1275cc and S stainless steel
	PCU10135	£16.80	BRACKET, radiator top mount	1	Cooper 1300cc
18	12A361	£116.60	BRACKET, radiator to engine	1	all models
19	HBZ534	£3.00	BOLT, bracket to gearbox	2	
20	12A2153	£15.30	BRACKET, lower radiator mounting	1	
21	ARP1073	£11.70	SPACER	1	
22	BH605261	£1.60	BOLT, cowl to bracket	1	
23	SH605051	£1.00	SCREW	2	
24	11G227	£1.96	GROMMET, upper radiator mounting	2	all 998cc models
25	CAM4415	£6.20	SLEEVE, for grommet	2	
	11G228	£3.40	SLEEVE, for grommet, 11G227	2	
	12A1985	£2.80	SLEEVE, for grommet, 11G227	2	replaces 11G228
26	GHF117	£0.30	SCREW	2	
	CAM4618	£1.57	BUSH, top mounting	2	Cooper 1300cc + SE
27	GRH244	£5.20	TOP HOSE	1	1959-67
	GRH245	£4.15	TOP HOSE	1	
	GRH245X	£14.40	TOP HOSE, silicone, black	1	all 998cc models
	GRH245XB	£14.40	TOP HOSE, silicone, blue	1	
	GRH245XR	£14.40	TOP HOSE, silicone, red	1	
	GRH247	£3.80	TOP HOSE	1	1275cc and S
	GRH247X	£14.40	TOP HOSE, silicone, black	1	1275cc and S
	GRH247XB	£14.40	TOP HOSE, silicone, blue	1	1275cc and S
	GRH247XR	£14.40	TOP HOSE, silicone, red	1	1275cc and S
	GRH469	£17.40	TOP HOSE	1	1275cc GT
	GRH1140	£10.20	TOP HOSE	1	Cooper 1300cc
	GRH1212	£28.00	TOP HOSE	1	Cooper SPI
28	GRH1465	£12.30	TOP HOSE (Front mounted radiator fitment).	1	MPI 1996-On
	GRH1216	£35.00	HOSE	1	SPI thermostat to manifold and heater

ill.	Part Number	Price £ea.	Description	Req.	Details
29	GRH240	£10.50	BOTTOM HOSE	1	
	GRH240X	£20.40	BOTTOM HOSE, silicone, black	1	all 998cc models
	GRH240XB	£20.40	BOTTOM HOSE, silicone, blue	1	
	GRH240XR	£20.40	BOTTOM HOSE, silicone, red	1	
	GRH468	£14.70	BOTTOM HOSE	1	Clubman
30	GRH1159	£133.20	BOTTOM HOSE (Modify GRH1159 to suit Cooper SE 1300cc models).	1	Cooper SE 1300cc
31	GRH1159	£133.20	BOTTOM HOSE	1	Cooper 1300cc
	GRH1242	£108.40	BOTTOM HOSE	1	Cooper SPI
32	GRH1466	£46.50	BOTTOM HOSE (Front mounted radiator fitment (water pump/rad/expansion tank/water valve/thermostat)).	1	MPI 1996-On
33	GHC11022	£2.30	HOSE CLIP, heater outlet hose	1	To 1989
34	GHC11025	£2.50	HOSE CLIP, heater outlet hose	2	1990-On
35	GHC11035	£2.90	HOSE CLIP, top & bottom hose	4	
36	PCF10056	NCA	EXPANSION TANK	1	not stainless steel
	PCF10097	NCA	EXPANSION TANK	1	1991-96
37	PCF101240	£86.30	EXPANSION TANK	1	MPI 1996-On front mounted radiator fitment
38	GRH1213	NCA	HOSE, expansion tank	1	Cooper 1300cc
39	UKC3803	£0.89	CLIP, expansion hose	2	
40	GRH1001M	£2.26	PIPE, overflow	1	all 998cc models
41	ARA951	£0.58	CLIP, overflow pipe to cowling	2	
42	KRD10009	NCA	SEAL, rubber, radiator to flitch	1	Cooper 1300cc
43	GHF332	£0.40	WASHER, spring	4	

Fan Switches

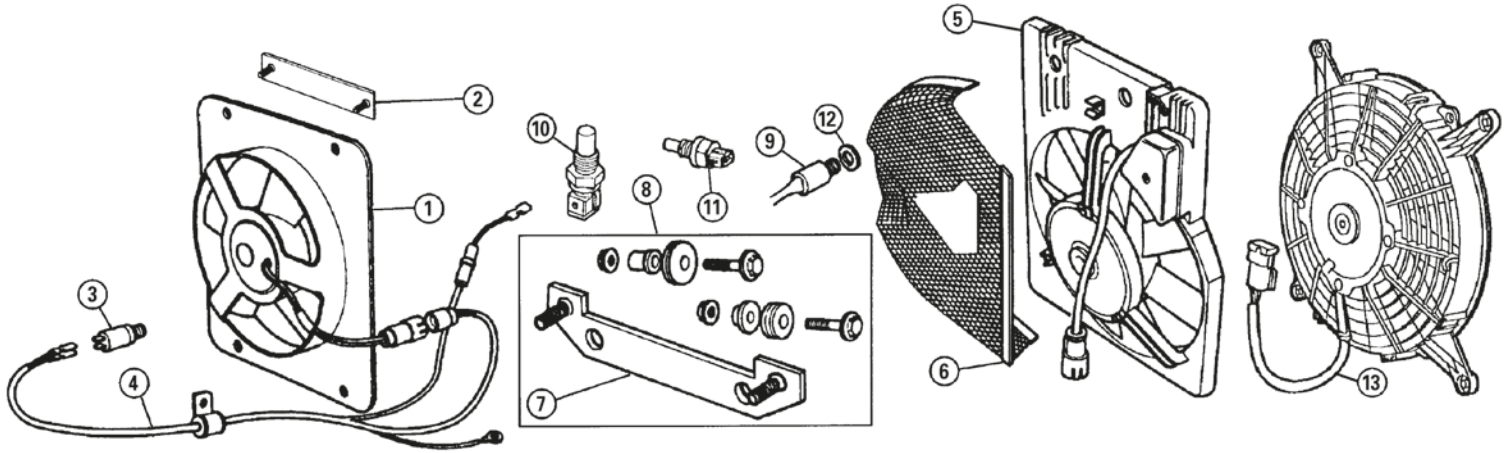
Fan switches for use with GRD4442TDF, MT3104 can be used to switch any electric fan on or off. Electronic fan controller (RFC010) can be adjusted for different temperatures.

IM50100	£8.60	THERMO SWITCH, 82-68°C	1
IM50120	£8.60	THERMO SWITCH, 88-79°C	1
IM50200	£7.00	THERMO SWITCH, 92-87°C	1
IM50250	£7.50	THERMO SWITCH, 88-74°C	1
RFC010	£83.60	ELECTRONIC FAN CONTROLLER (Thread fitting M22 x 1.5).	1



ill.	Part Number	Price £ea.	Description	Req.	Details
Water Pump					
1	GWP132	£25.10	WATER PUMP	1	998-1098cc
	GWP134	£24.60	WATER PUMP, with bypass outlet	1	1275cc
	GWP187	£19.20	WATER PUMP, no bypass outlet	1	
	GWP188	£37.00	WATER PUMP, no alternator lug	1	MPI 1996 on
2	88G215	£0.64	GASKET, water pump	1	
3	12A2075	£6.10	ADAPTOR, on cylinder head	1	all 998cc models
4	SH605141	£2.00	BOLT, pump to block, long	2	Cooper 1300cc
	TAM1180	£0.77	BOLT, flanged, pump to block, long	2	
5	SH605101	£0.89	BOLT, pump to block, short	2	all 998cc models
	TAM1178	£1.31	BOLT, flanged, pump to block, short	2	Cooper 1300cc
6	GHF332	£0.40	WASHER, locking	4	
7	12G2077	NCA	DOWEL, pump to block	2	
8	CAM6239	NCA	PULLEY, water pump	1	To 1985
	CAM6239A	£64.30	PULLEY, water pump, aluminium	1	To 1985
	CAM6408	£46.60	PULLEY, water pump	1	1985-On
9	PEZ100100	NCA	PULLEY, water pump, multi V belt	1	MPI 1996-On
10	PQR10028	£52.50	PULLEY TENSIONER	1	MPI 1996-On
11	12A312	NCA	SPACER, fan to pulley	1	
12	SH604041	£0.41	SCREW, fan to pump	4	
13	GHF331	£0.38	WASHER, locking	4	

ill.	Part Number	Price £ea.	Description	Req.	Details
14	12G2129	£21.80	FAN, 11 blade, plastic	1	1.5" thick blades
	2A998	£47.50	FAN, 6 blade, metal	1	export & performance
	2A997	£30.00	FAN, 2 blade, metal	1	special tuning
Note: 2A997 can also be doubled up to make a 4 blade fan for quieter running. For 4 blade fan simply order two 2A997.					
15	GZA2083	£1.49	HOSE, bypass	1	998cc models
	GZA2083X	£2.80	HOSE, bypass, silicone	1	
	GZA2083Z	£3.90	HOSE REPAIR KIT, bypass hose	1	
16	3H2963	NCA	CLIP, bypass hose	2	
	CAM4126	£7.15	PLUG COVER	1	
(Covers bypass tube on cylinder head or water pump when bypass is not being used).					
17	GCB10813	£5.95	FAN BELT, 813mm long	1	To 1985
	GCB10838	£5.10	FAN BELT, 838mm long	1	A115 alternator 1981-85
	GCB10825	£5.60	FAN BELT, 825mm long	1	
	GMB50920	£11.56	FAN BELT, multi groove	1	A127 alternator 1985-On MPI 1996-On



ill. Part Number Price £ea. Description

Req. Details

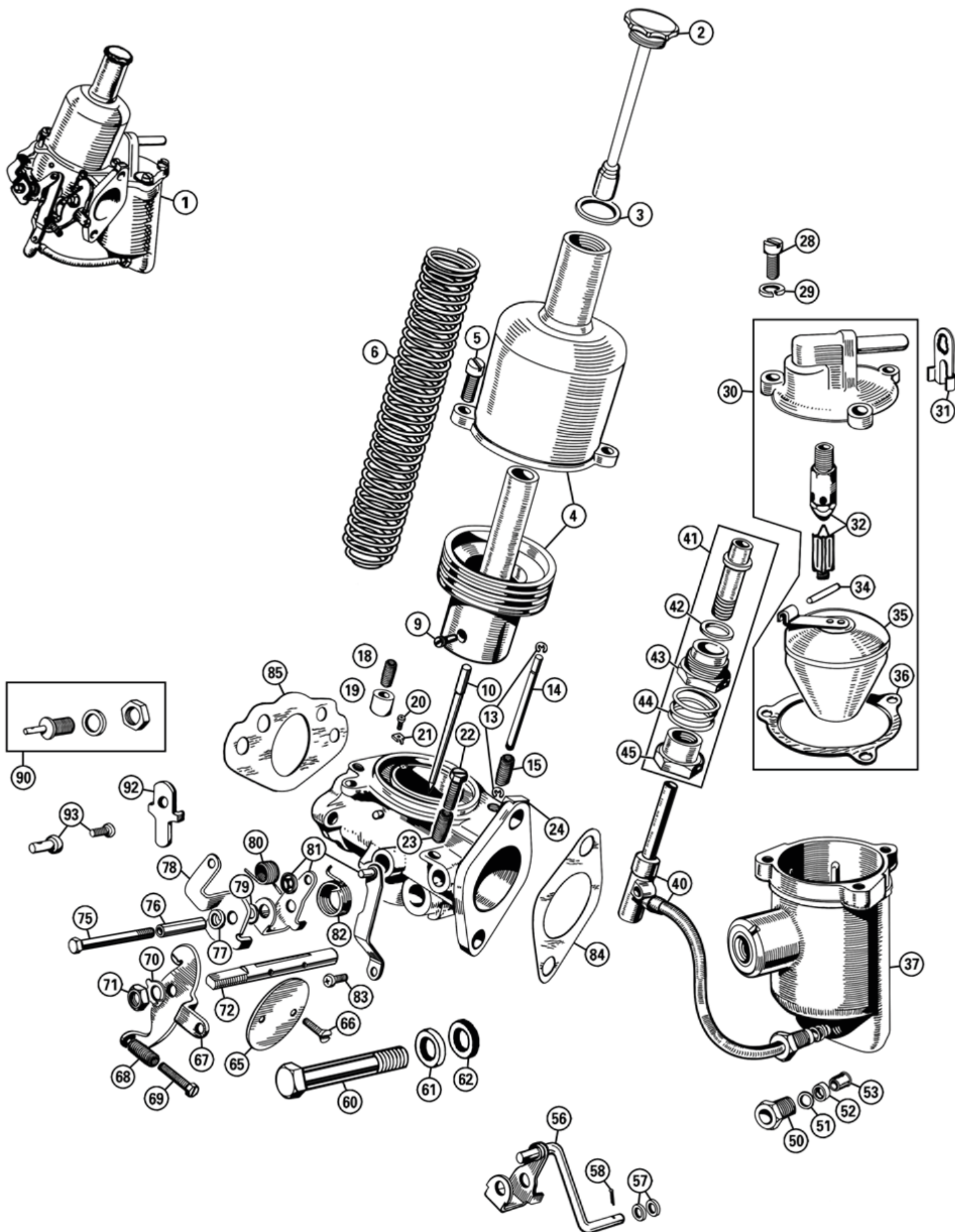
Electric Cooling Fan

Part Number	Price £ea.	Description	Req.	Details
1 PGF10038	NCA	FAN	1	Cooper SE models
2 PGU10006	NCA	BRACKET, cowl to inner wing	1	
3 YWL10010	£80.40	THERMAL SWITCH & SEAL	1	Cooper 1300cc
4 YMV10069	NCA	HARNESS	1	
5 PGG10046	NCA	FAN, long	1	Cooper 1300cc
6 PGL10008	NCA	SHIELD	1	
7 PGU10007	£22.00	BRACKET, fan to inner wing	1	Cooper 1300cc
8 PGG10046FK	NCA	MOUNTING KIT, fan to flitch	1	
9 GVS104	£8.70	THERMAL SWITCH	1	SPI 1991-0n
10 GTR185	£10.40	TEMPERATURE TRANSMITTER	1	
11 MEK100060	£10.00	TEMPERATURE TRANSMITTER	1	MPI Mini (brown)
12 PYF10036	NCA	WASHER, sealing	1	
MDY100040	£2.75	WASHER, sealing	1	MPI for MEK100060
13 PGG10058	£215.56	FAN ASSEMBLY	1	
PGG100890	£299.10	FAN ASSEMBLY (Front mounted radiator fitment).	1	MPI 1996-0n

ill. Part Number Price £ea. Description

Req. Details

Note: See Performance in the accessories section for high quality Cobalt silicone hose kits.



ill.	Part Number	Price £ea.	Description	Req.	Details
------	-------------	------------	-------------	------	---------

Single HS2 Carburettor

The single SU HS2 carburettor was fitted to early manual transmission Minis from 1959 to 1974. During this time, multiple versions of the HS2 were used and can be identified by the aluminium tag affixed to one of the float chamber lid screws, however, it is common to find these tags missing after rebuilds or modifications over the years that your Classic Mini has been on the road. Should your carburettor not have an identification tag, studying the information listed below may help identify the carburettor fitted to your vehicle. Multiple needles were also used during this time, and along with the size, there was a change of design. SU originally used 'fixed' needles in the earlier cars, around 1973 this was changed to a 'bias' type needle, these are not interchangeable.

848cc Model

1	AUD912	NCA	CARBURETTOR, HS2, new, fixed needle	1	1959-61 MkI
	AUD976	NCA	CARBURETTOR, HS2, new, fixed needle	1	1961-67 MkII
	AUD299	NCA	CARBURETTOR, HS2, new, fixed needle	1	1967-69 MkIII
	AUD359	NCA	CARBURETTOR, HS2, new, fixed needle	1	1969-73 MkIII
	AUD449	NCA	CARBURETTOR, HS2 new, biased needle	1	1973-74 MkIII

998cc Models

	AUD86	NCA	CARBURETTOR, HS2, new, fixed needle	1	1967-68 MkII
	AUD298	NCA	CARBURETTOR, HS2, new, fixed needle	1	1968-69 MkII
	AUD363	NCA	CARBURETTOR, HS2, new, fixed needle	1	1969-73 MkIII and Clubman
	AUD509	NCA	CARBURETTOR, HS2 new, biased needle	1	1973-74 MkIII and Clubman

NI	WZX1851	£41.45	SERVICE KIT, single HS2	1	
NI	GAC6153X	£54.90	REBUILD KIT, single HS2	1	
NI	AUE810A	£4.00	GASKET KIT, single HS2	1	

2	AUC8103A	£18.00	DAMPER, and cap	1	
3	AUC2141	£0.53	WASHER, fibre	1	
4	AUD9180	NCA	DASHPOT ASSEMBLY	1	fixed needle
	CUD2800	NCA	DASHPOT ASSEMBLY	1	biased needle
5	JZX1394	£0.95	SCREW, float chamber	3	
6	AUC4387	£7.40	SPRING, damper, red	1	
9	AUC2057	£2.10	SCREW, locking needle	1	fixed needle
	AUD4251	£0.84	SCREW, locking needle	1	biased needle
10	AUD1149	£14.26	NEEDLE, jet, EB	1	fixed needle
	AUD1211	£14.26	NEEDLE, jet, GG	1	fixed needle
	AUD1261	£14.26	NEEDLE, jet, M	1	fixed needle
	CUD1019	£15.00	NEEDLE, jet, AAV	1	biased needle

Note: Due to the number of different types of needle we have been unable to list all the carburettor tag numbers, (the number is on a tag on the dashpot cover screw) when ordering needles please check the three letter code stamped around the top of the needle. Please contact your local Moss Europe Ltd branch for help."

13	AUD4150	£0.65	CIRCLIP, lift pin	2	
14	WZX1108	£5.10	LIFT PIN KIT	1	
15	AUC1151	£0.74	SPRING, lift pin	1	

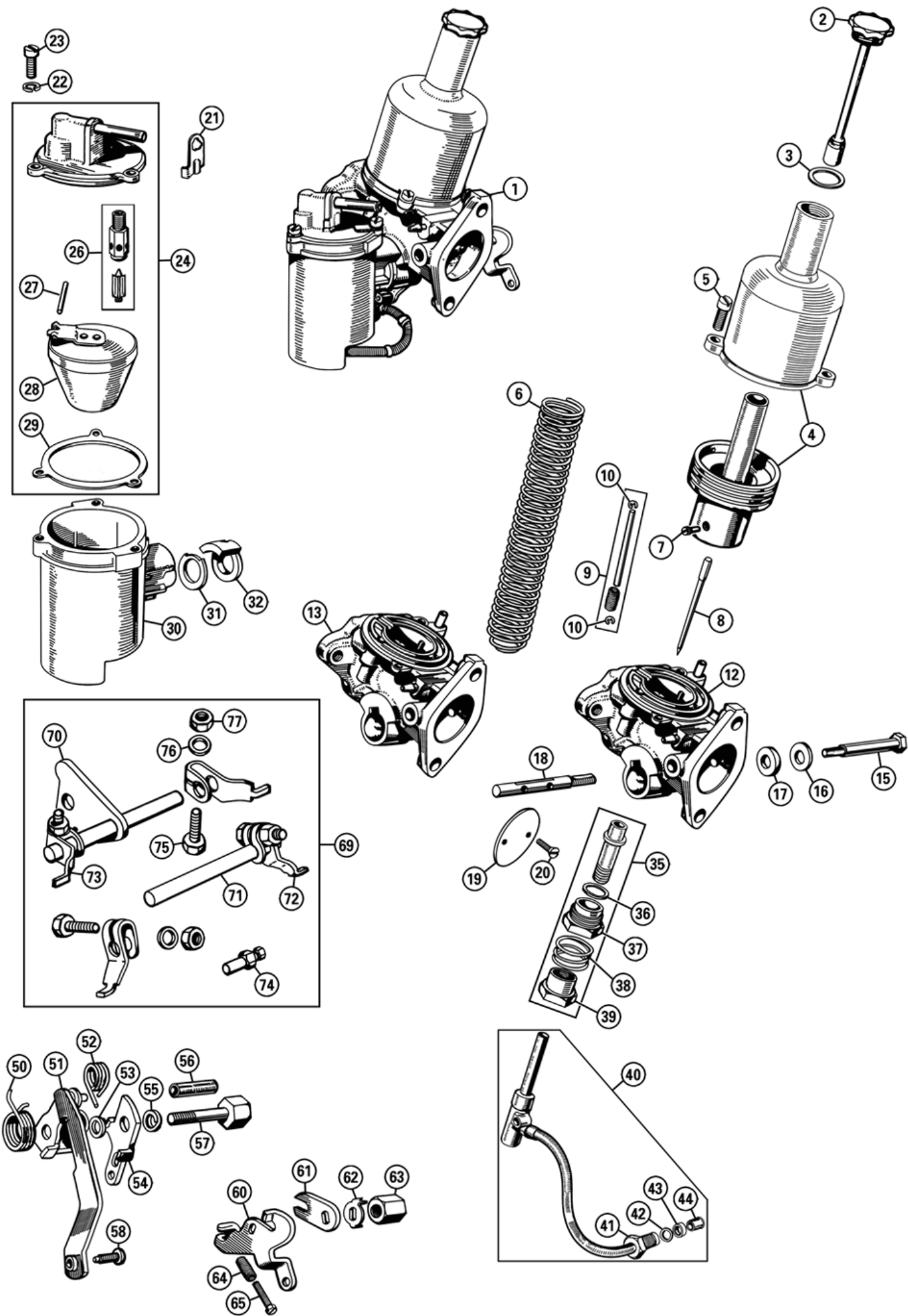
18	AUD3306	£0.73	SPRING, needle	1	biased needle
19	AUD4288	£4.50	GUIDE, needle	1	biased needle
20	AUC2099	NCA	SCREW, piston guide key	1	
21	AUC2054	NCA	KEY, piston guide	1	
22	AUC3464	£0.90	SCREW, idle adjusting	1	
23	AUC2451	£0.90	SPRING, idle adjusting	1	
24	AUC8210	NCA	BODY, carburettor	1	
28	JZX1394	£0.95	SCREW, lid	3	
29	WL700101	£0.25	WASHER, SPRING	3	
30	AUE266	£67.38	FLOAT & LID ASSEMBLY	1	
31	AUC1215	£3.40	PLATE, baffle	1	
32	WZX1101A	£10.00	NEEDLE & SEAT KIT, float	1	

34	AUC1152	£0.53	PIN, float hinge	1	
35	WZX1300	£14.40	FLOAT, plastic	1	
36	AUC8459A	£1.43	GASKET, float lid	1	

37	AUC1310	£40.40	CHAMBER, float	1	
NI	WZX1391	£4.25	SUNDRIES KIT, float chamber	1	
40	AUD9098A	£17.00	JET ASSEMBLY	1	
41	WZX1341	£10.00	JET BEARING KIT	1	fixed needle
	WZX1340	NCA	JET BEARING KIT	1	biased needle
42	AUC8478	£1.26	WASHER, brass	1	
43	AUC2002	£7.00	NUT, jet locking	1	
44	AUC2114	£1.25	SPRING, jet locking	1	
45	AUC8461	£2.10	NUT, jet adjusting	1	

ill.	Part Number	Price £ea.	Description	Req.	Details
------	-------------	------------	-------------	------	---------

50	AUD2129	£2.00	NUT, jet assembly	1	
51	AUD2193	£0.41	WASHER, jet assembly	1	
52	AUD2194	£1.26	GLAND, jet assembly	1	
53	AUD2195	£1.15	FERRULE, jet assembly	1	
56	AUC8213	NCA	LEVER AND LINK, pick up	1	
57	PWZ102	£0.22	WASHER, flat	2	
58	GHF500	£0.22	PIN, split	1	
60	AUD2891	£10.90	BOLT, float chamber attachment	1	
61	AUC1317	£0.80	WASHER, plain	1	
62	AUC1318	£3.00	WASHER, rubber	1	
65	WZX1320	£11.10	THROTTLE DISC KIT	1	
66	AUC1358	£0.77	SCREW, throttle disc to spindle	2	
67	AUC1145	NCA	LEVER, throttle return	1	
68	AUC2451	£0.90	SPRING, stop screw	1	
69	AUC8483	NCA	SCREW, throttle return to lever stop	1	
70	AUC1206	£1.04	LOCK TAB, throttle spindle	1	
71	AJD8104Z	NCA	NUT, throttle spindle	1	
72	WZX1310	£11.75	THROTTLE SPINDLE KIT	1	
75	AUC8400	NCA	BOLT, pivot	1	
76	AUC8473	£1.45	TUBE, pivot bolt	1	
77	AUC8474	£0.90	WASHER, double coil	1	
78	AUC1136	NCA	CHOKE CAM LEVER	1	
79	AUC5032	£1.94	WASHER, cam lever	1	
80	AUD2431	£2.20	SPRING, cam lever	1	
81	AUD9004	£14.00	LEVER AND LINK, pick up	1	
82	AUC8462	£2.50	SPRING, cam lever	1	
83	AUD2104	£0.46	SCREW, jet lever	1	
84	1G2624	£0.54	GASKET, carb to inlet manifold	1	
85	ACA8014	£0.53	GASKET, carb to air filter	1	
90	ACC5062K	£2.80	TRUNNION, cable clamping	1	
92	AUC8456	NCA	CHOKE CAM LEVER	1	
93	AUE34	£2.40	CLAMP, choke cable	1	



ill. Part Number Price £ea. Description Req. Details

Twin HS2 Carburettors

Between 1961 and 1971, the Mini Cooper and Cooper S models were fitted with twin SU HS2 carburettors, the model of your carburettor can be identified using the tag affixed to one of the float lid screws, which will include a number, followed by an 'L' or 'R', for left or right hand, however, it is common to find these tags missing due to rebuilds or modifications over the years that you Classic Mini has been on the road. Should your carburettor not have an identification tag, studying the information below may help identify the carburettor fitted to your vehicle.

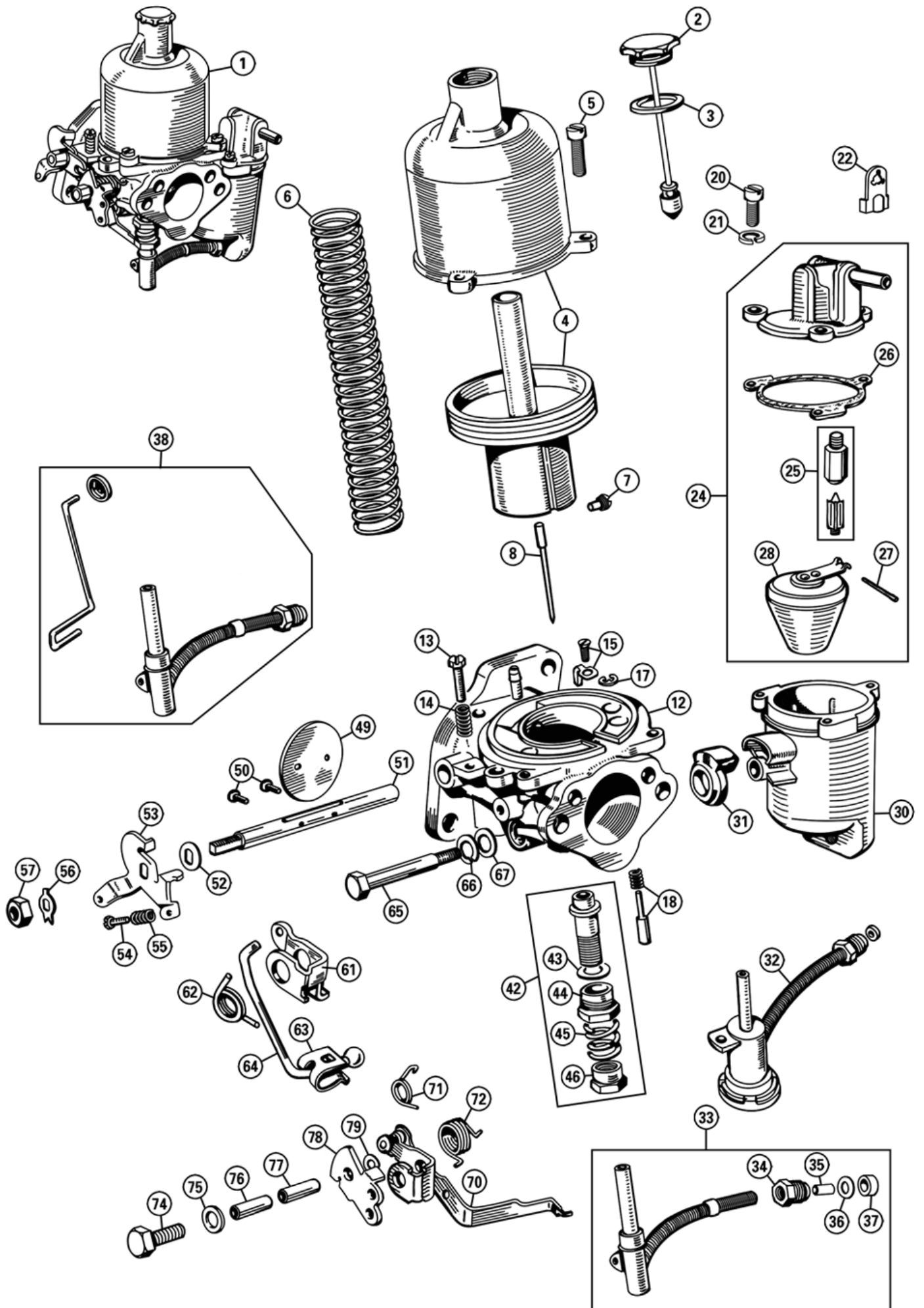
1	AUD15T	NCA	CARBURETTOR, Twin HS2	1	1961-63; Cooper 997cc
	AUD104T	NCA	CARBURETTOR, Twin HS2	1	1963-69; Cooper 998cc
	AUD99T	NCA	CARBURETTOR, Twin HS2	1	1963-64; Cooper S 1071cc
	AUD146T	NCA	CARBURETTOR, Twin HS2	1	1964-69; Cooper S 1275cc
	AUD151T	NCA	CARBURETTOR, Twin HS2	1	1964-65; Cooper S 970cc
	AUD440T	NCA	CARBURETTOR, Twin HS2	1	1969-71; Cooper S 1275cc
NI	CRK101	£95.00	REBUILD KIT, twin HS2	1	
NI	WZX1859X	£61.66	SERVICE KIT, twin HS2	1	
NI	AUE811A	£4.80	GASKET PACK, single HS2	2	
2	AUC8103A	£18.00	CAP & DAMPER, dashpot	2	
3	AUC2141	£0.53	SEALING RING, cap & damper	2	
4	AUD9181	£330.00	CHAMBER and PISTON	2	
5	JZX1394	£0.95	SCREW, chamber to body	4	
6	AUC4387	£7.40	SPRING, piston, red	2	
	AUC4587	£4.15	SPRING, piston, blue	2	use w/ AUD104T carbs.
7	AUC2057	£2.10	SCREW, locking needle	2	
8	AUD1468	£14.26	NEEDLE, jet, GY	2	use w/ AUD104T carbs.
	AUD1242	£14.26	NEEDLE, jet, H6	2	use w/ AUD99T carbs.
	AUD1261	£14.26	NEEDLE, jet, M	2	use w/ AUD146T & AUD440T
	AUD1478	£14.26	NEEDLE, jet, AN	2	use w/ AUD151T carbs.

Note: Due to the number of different types of needle we have been unable to list all the carburettor tag numbers, (the number is on a tag on the dashpot cover screw) when ordering needles please check the three letter code stamped around the top of the needle. Please contact your local Moss Europe Ltd branch for help.

9	WZX1108	£5.10	PIN KIT, piston lift	2] if fitted
10	AUD4150	£0.65	CIRCLIP, piston lift pin	4	
12	NCA	NCA	BODY, carburettor, left	1	
13	NCA	NCA	BODY, carburettor, right	1	
15	AUC2891	NCA	BOLT, float chamber attachment	2	
16	AUC1317	£0.80	WASHER, plain	2	
17	AUC1318	£3.00	WASHER, rubber	2	
18	WZX1310	£11.75	THROTTLE SPINDLE KIT	2	
19	WZX1320	£11.10	THROTTLE DISC KIT	2	
20	AUC1358	£0.77	SCREW, throttle disc to spindle	4	
21	AUC1215	£3.40	PLATE, baffle	2	
22	WL700101	£0.25	WASHER, locking	6	
23	JZX1394	£0.95	SCREW, float lid	6	
24	AUE272	NCA	FLOAT & LID ASSEMBLY, LH	1	
	AUE266	£67.38	FLOAT & LID ASSEMBLY, RH	1	
25	WZX1101A	£10.00	NEEDLE & SEAT KIT, float	2	
NI	GAC9201X	£9.10	GROSE JET	2	alternative
27	AUC1152	£0.53	PIN, float hinge	2	
28	WZX1300	£14.40	FLOAT, plastic	2	
29	AUC8459A	£1.43	GASKET, float lid	2	
30	AUC1310	£40.40	CHAMBER, float	2	
31	AUC1329	£2.20	WASHER, adaptor	2	
32	AUC1316	£8.80	ADAPTOR, float chamber, LH	1	
	AUC1336	£8.95	ADAPTOR, float chamber, RH	1	
35	WZX1341	£10.00	BEARING JET KIT	2	
36	AUC8478	£1.26	WASHER, brass	2	
37	AUC2002	£7.00	NUT, jet locking	2	
38	AUC2114	£1.25	SPRING, jet locking	2	
39	AUC8461	£2.10	NUT, jet adjusting	2	
40	AUD9141A	£16.80	JET ASSEMBLY, LH	1	
	AUD9142A	£16.80	JET ASSEMBLY, RH	1	
41	AUD2129	£2.00	NUT, jet assembly	2	
42	AUD2193	£0.41	WASHER, jet assembly	2	
43	AUD2194	£1.26	GLAND, jet assembly	2	
44	AUD2195	£1.15	FERRULE, jet assembly	2	
50	AUC8462	£2.50	SPRING, pickup lever, LH	1	
	AUC1375	£5.00	SPRING, pickup lever, RH	1	
51	AUD9004	£14.00	LEVER AND LINK, pickup, LH	1	
	AUD9005	NCA	LEVER AND LINK, pickup, RH	1	
52	AUC8463	NCA	SPRING, cam lever, LH	1	
	AUC1520	NCA	SPRING, cam lever, RH	1	
53	AUC5032	£1.94	WASHER, cam lever	2	
54	AUC8456	NCA	LEVER, cam, LH	1	
	AUC1371	£6.25	LEVER, cam, RH	1	
55	AUC8474	£0.90	WASHER, thackery spring	2	
56	AUC8478	£1.26	TUBE, pivot bolt	2	
57	AUC1426	£9.85	BOLT, pivot	2	
58	AUD2104	£0.46	SCREW, link to jet	2	

ill. Part Number Price £ea. Description Req. Details

60	AUC1145	NCA	LEVER, throttle return, LH	1	
	AUC2101	NCA	LEVER, throttle return, RH	1	
61	AUC1400	NCA	LEVER, lost motion	2	
62	AUC1206	£1.04	LOCK TAB, throttle spindle	2	
63	AUC1424	£2.40	NUT, throttle spindle	2	
64	AUC2451	£0.90	SPRING, stop screw	2	
65	AUC8483	NCA	SCREW, throttle return lever stop	2	
69	WZX872	NCA	LINKAGE KIT	1	
70	12A310	£8.10	LINK ROD & LEVER, throttle	1	
71	AUC1457	£2.95	LINK ROD, choke	1	
72	AUE586	£2.90	LEVER ASSEMBLY, pickup, LH	2	
73	AUE587	£2.90	LEVER ASSEMBLY, pickup, RH	2	
74	AUE34	£2.40	TRUNNION, choke cable	1	
75	AUC2694	£0.84	SCREW, pickup lever	4	
76	AUC8396	£0.53	WASHER, plain	4	
77	AJD8012Z	£0.30	NUT	4	



Single HS4 Carburettors

From 1964, some Classic Minis were fitted with a single SU HS4 carburettor until 1975 when the change affected the entire Classic Mini range. As with the HS2's there were multiple models of the HS4 fitted to Minis, you can find out the exact model of your vehicles carburettor by using the aluminium tag affixed to one of the float chamber lid screws, however, due to rebuilds or modifications over the years that your Classic Mini has been on the road, a lot of these identification tags have been lost or removed, should this be the case, studying the information below may help you identify the carburettor fitted to your vehicle. Early HS4s were fitted with a conventional jet, however, around 1975 they were mostly fitted with a 'waxstat' type jet, designed to keep fuelling more controlled depending on the temperature, however, these are regularly replaced due to the waxstat not working as well as it perhaps could have, we list a conversion kit to convert carburettors fitted with waxstat type jets to conventional jets, this job can be undertaken by even a beginner mechanic and will make a big improvement to the way your Classic Mini drives.

848cc Models

Part Number	Price £ea.	Description	Req.	Details
1 AUD170	NCA	CARBURETTOR, HS4, new, fixed needle	1	1964-67 MkI automatic
AUD250	NCA	CARBURETTOR, HS4, new, fixed needle	1	1967-69 MkII automatic
AUD360	NCA	CARBURETTOR, HS4, new, fixed needle	1	1969 MkIII automatic
AUD394	NCA	CARBURETTOR, HS4, new, fixed needle	1	1969-74 MkIII automatic
AUD611	NCA	CARBURETTOR, HS4 new, biased needle	1	1974 MkIII manual & automatic
FZX1064	NCA	CARBURETTOR, HS4 new, biased needle	1	1975 MkIII manual & automatic

998cc Models

AUD184	NCA	CARBURETTOR, HS4, fixed needle	1	1967-69 MkII
AUD366	NCA	CARBURETTOR, HS4, fixed needle	1	1969 MkII
AUD367	NCA	CARBURETTOR, HS4, fixed needle	1	1969 MkIII
AUD393	NCA	CARBURETTOR, HS4, fixed needle	1	1969-74 MkIII Clubman
AUD450	NCA	CARBURETTOR, HS4, biased needle	1	1972-74 MkIII
AUD679	NCA	CARBURETTOR, HS4, biased needle	1	1974 MkIII
FZX1065	NCA	CARBURETTOR, HS4, biased needle	1	1975 MkIII

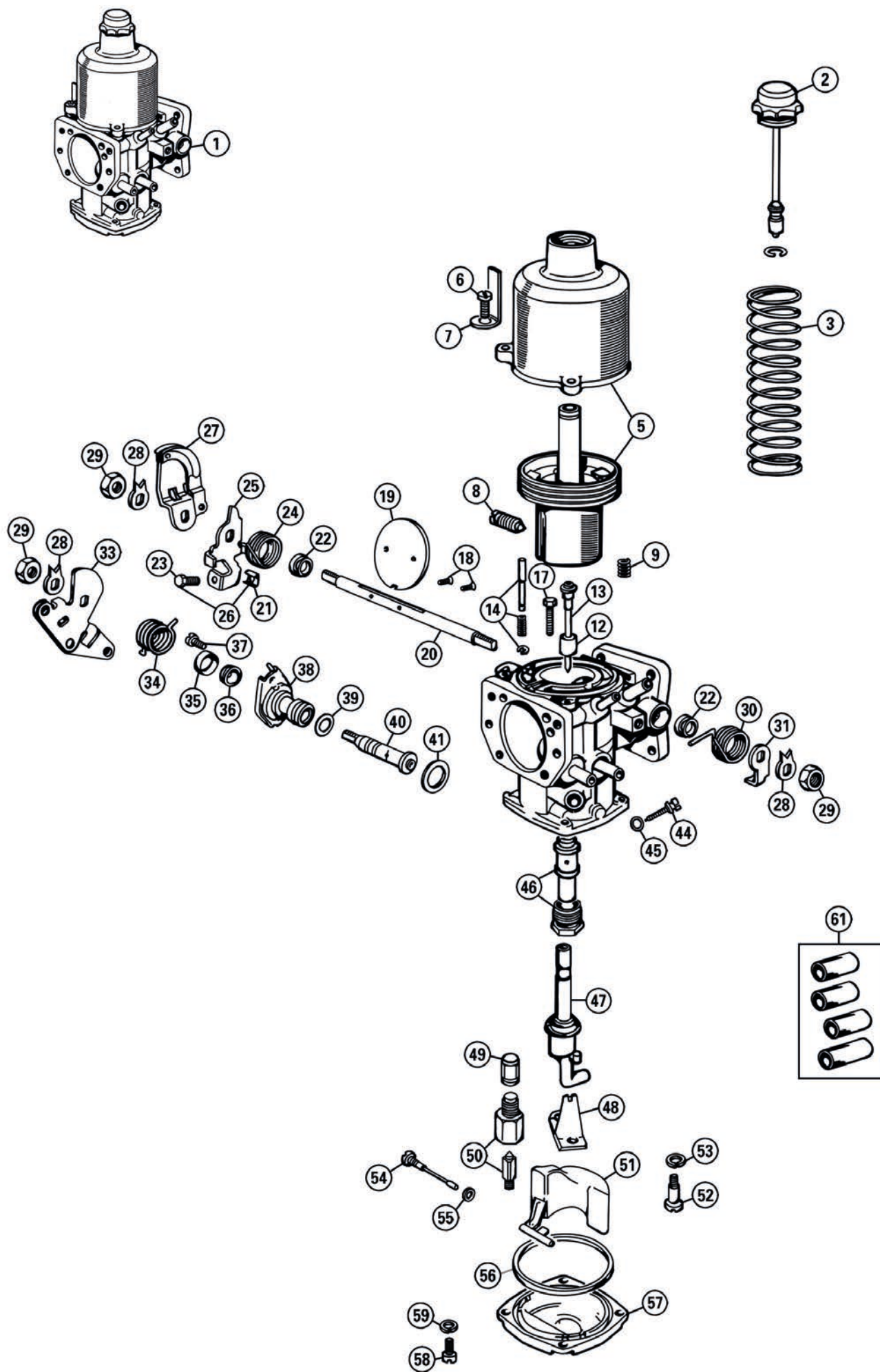
1275cc Models

AUD317	NCA	CARBURETTOR, HS4, fixed needle	1	1969-71 1275 GT
AUD453	NCA	CARBURETTOR, HS4, biased needle	1	1971-72 1275 GT
AUD567	NCA	CARBURETTOR, HS4, biased needle	1	1972-74 1275 GT
NI CRK219	£60.00	REBUILD KIT, plain jet, plain disc	1	single HS4
NI CRK227	£62.20	REBUILD KIT, plain jet, overrun disc	1	single HS4
NI CRK121	£80.75	REBUILD KIT, single HS4 waxstat jet	1	
NI WZX1852X	£41.50	SERVICE KIT, plain jet	1	
NI WZX1865	£63.00	SERVICE KIT, waxstat jet	1	
NI AUE811A	£4.80	GASKET PACK, single HS4	1	
2 AUC8103A	£18.00	CAP & DAMPER, dashpot	1	
3 AUC2141	£0.53	SEALING RING, cap & damper	1	
4 AUD9180	NCA	CHAMBER and PISTON	1	
5 JZX1394	£0.95	SCREW, chamber to body	3	
6 AUC4387	£7.40	SPRING, piston, red	1	
7 AUC2057	£2.10	SCREW, locking needle	1	fixed needle
AUC4251	NCA	SCREW, locking needle	1	biased needle
8 AUD1472	NCA	NEEDLE, jet, AN	1	fixed needle
AUD1267	£13.66	NEEDLE, jet, M1	1	fixed needle
AUD1149	£14.26	NEEDLE, jet, EB	1	fixed needle
CUD1002	£15.00	NEEDLE, jet, AAC	1	biased needle
CUD1040	NCA	NEEDLE, jet, ABS	1	biased needle
NZX4005	£15.00	NEEDLE, jet, ADE	1	biased needle
NI AUD4288	£4.50	GUIDE, jet needle	1	biased needle
NI AUD3306	£0.73	SPRING, jet needle	1	biased needle

Note: Due to the number of different types of needle we have been unable to list all the carburettor tag numbers, (the number is on a tag on the dashpot cover screw) when ordering needles please check the three letter code stamped around the top of the needle. Please contact your local Moss Europe Ltd branch for help.

12 AUD9566	NCA	BODY, carburettor	1	
13 AUC8483	NCA	SCREW, idle adjusting	1	
14 AUC2451	£0.90	SPRING, idle screw	1	
15 WZX1259	£4.70	GUIDE KIT, piston	1	
17 AUC1250	NCA	CIRCLIP, pin	1	
18 WZX1108	£5.10	PISTON LIFT KIT	1	
20 JZX1394	£0.95	SCREW, float lid	3	
21 WL700101	£0.25	WASHER, locking	3	
22 AUC1215	£3.40	PLATE, baffle	1	
24 AUE266	£67.38	FLOAT & LID ASSEMBLY	1	
25 WZX1101A	£10.00	NEEDLE & SEAT KIT, float	1	
NI GAC9201X	£9.10	GROSE JET	1	alternative
26 AUC8459A	£1.43	GASKET, float lid	1	
27 AUC1152	£0.53	PIN, float hinge	1	

Part Number	Price £ea.	Description	Req.	Details
28 WZX1300	£14.40	FLOAT, plastic	1	
30 AUC1310	£40.40	CHAMBER, float	1	
31 AUD2071	£7.85	ADAPTOR, float chamber mounting	1	
32 LZX1111A	£43.66	JET ASSEMBLY, Waxstat	1	biased needle
33 AUD9451A	£20.75	JET ASSEMBLY, plain	1	fixed needle
34 AUD2129	£2.00	NUT, jet assembly	1	
35 AUD2195	£1.15	FERRULE, jet assembly	1	
36 AUD2193	£0.41	WASHER, jet assembly	1	
37 AUD2194	£1.26	GLAND, jet assembly	1	
38 MT3220	£33.48	JET CONVERSION KIT	1	Converts Waxstat jet to standard plain jet
42 WZX1341	£10.00	JET BEARING KIT	1	fixed needle
WZX1340	NCA	JET BEARING KIT	1	biased needle
43 AUC8478	£1.26	WASHER, brass	1	
44 AUC2002	£7.00	NUT, jet locking	1	
45 AUC2114	£1.25	SPRING, jet locking	1	
46 AUC8461	£2.10	NUT, jet adjusting	1	
49 WZX1323	£11.56	THROTTLE DISC KIT	1	plain disc
WZX1225	£14.30	THROTTLE DISC KIT	1	overrun valve
50 AUC1358	£0.77	SCREW, throttle to spindle	2	
51 WZX1177	£15.30	SPINDLE, throttle	1	
52 AUC2625	£0.55	WASHER, brass	1	
53 AUD2787	NCA	LEVER, throttle return	1	
54 AUC8483	NCA	SCREW, throttle return lever stop	1	
55 AUC2451	£0.90	SPRING, throttle return lever stop	1	
56 AUC1206	£1.04	WASHER, tab	1	
57 AJD8104	£0.53	NUT, spindle	1	
60 AUD9663	NCA	LEVER AND LINK, pickup	1	plain jet
61 AUD4871	£9.85	LEVER	1	waxstat jet
62 AUD2431	£2.20	SPRING, lever	1	waxstat jet
63 JZX1259	NCA	CLIP, lever	1	waxstat jet
64 WZX1357	£10.25	LEVER AND LINK KIT	1	waxstat jet
65 AUD2891	£10.90	BOLT, float mounting	1	plain jet
AUD3017	£3.20	BOLT, float mounting	1	waxstat jet
66 LWZ304	NCA	WASHER, spring	1	
67 PWZ104	NCA	WASHER, plain	1	
71 AUD2432	£2.20	SPRING, cam lever	1	
72 AUC1375	£5.00	SPRING, pick-up lever	1	
74 AUC8400	NCA	BOLT, pivot	1	
75 AUD2433	£0.35	WASHER, distance	1	
76 AUC8473	£1.45	TUBE, pivot bolt	1	
77 AUD2430	£2.10	TUBE, outer	1	
78 AUD2859	NCA	LEVER, cam	1	
79 AUD2429	NCA	WASHER, cam lever	1	



ill. Part Number Price £ea. Description Req. Details

Single HIF Carburettor

For a short period in the early 1990's, before the introduction of fuel injection in 1992, the 1275cc Mini Cooper was fitted with a single HIF44 carburettor, this can be easily identifiable from the SU HS4 by its integral float chamber attached to the bottom of the carburettor body casting, as opposed to the side on the earlier HS models. Before ordering parts, the carburettor fitted to your vehicle must be identified, this can be done by looking at the aluminium tag affixed to on of the suction chamber screws, however, due to rebuilds or modifications over the years, these are commonly lost or removed entirely, if this is the case, you may be able to identify your carburettor by studying the information below.

HIF Models - Factory Fitted

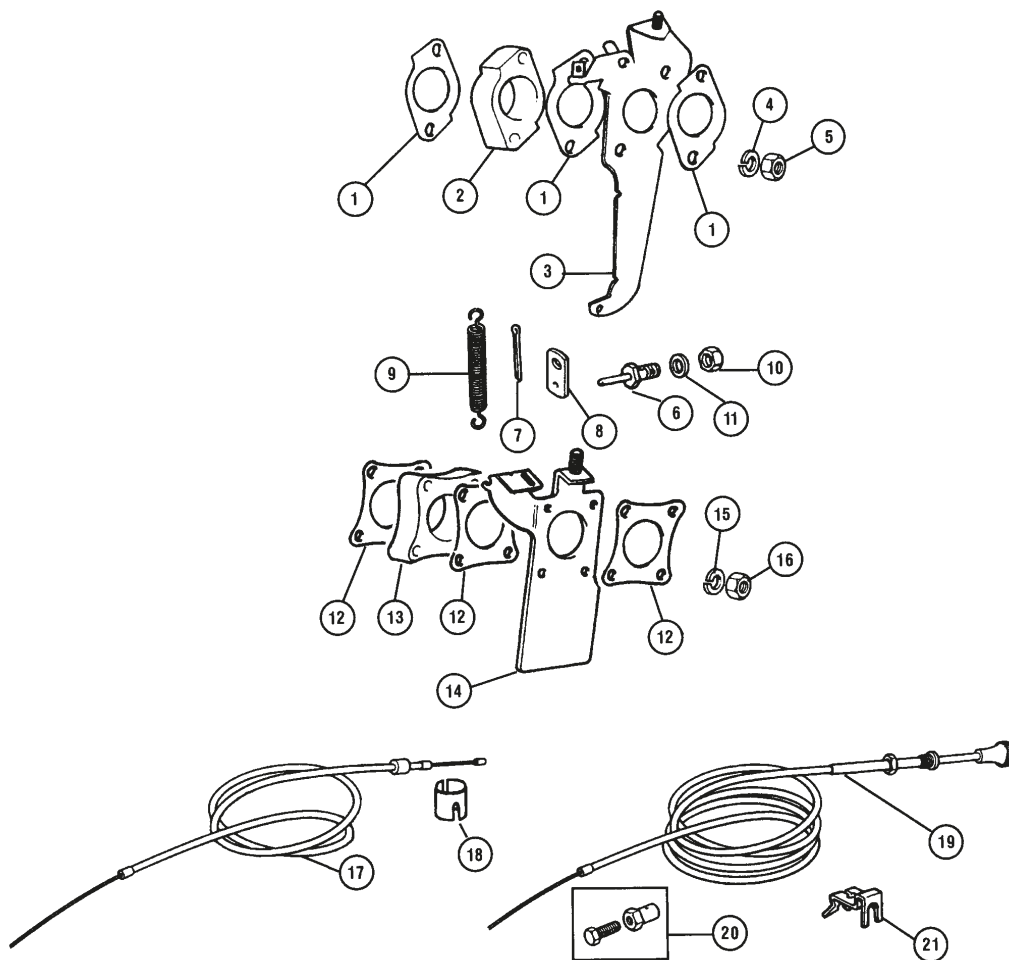
1	FZX1531	NCA	CARBURETTOR ASSEMBLY, HIF44	1990-91
	MAC10031	NCA	CARBURETTOR ASSEMBLY, HIF38	1992-94 manual gearbox
	MAC10032	NCA	CARBURETTOR ASSEMBLY, HIF38	1992-94 automatic gearbox
	FZX3006	£536.50	CARBURETTOR ASSEMBLY, HIF44	replacement unit
NI	CRK167	£76.40	REBUILD KIT, single HIF44	1 for FZX1531 carburettor
NI	CRK274	NCA	REBUILD KIT, single HIF38	1 for MAC10031 & MAC1032
NI	GAC8100	£44.75	SERVICE KIT, single HIF44	1 for FZX1531 carburettor
NI	CSK94	NCA	SERVICE KIT, single HIF38	1 for MAC10031 & MAC1032
NI	WZX1505A	£11.56	GASKET PACK, single HIF38 & 44	1 for all HIF carbs
2	LZX2085	£18.55	CAP & DAMPER, dashpot	1 for FZX1531 carburettor
	LZX1511	NCA	CAP & DAMPER, dashpot	1 for MAC10031 & MAC1032
3	AUD4355	£4.10	SPRING, piston, red	1
5	LZX1521	NCA	CHAMBER and PISTON	1 for FZX1531 carburettor
	LZX1523	NCA	CHAMBER and PISTON	1 for MAC10031 & MAC1032
6	JZX1394	£0.95	SCREW, float lid	3
7	JZX1665	NCA	ID TAG	1
8	AUD4252	£1.96	SCREW, locking needle	1 for FZX1531 carburettor
	AUD4251	£0.84	SCREW, locking needle	1 for MAC10031 & MAC1032
9	AUD3306	£0.73	SPRING, needle	1
12	JZX1039	NCA	GUIDE, needle	1
13	NZX8071	£15.00	NEEDLE, jet BFY	1 for FZX1531 carburettor
	NZX4036	NCA	NEEDLE, jet AEM	1 for MAC10031 & MAC1032
14	WZX1104	£4.80	LIFT PIN KIT	1

Note: Due to the number of different types of needle we have been unable to list all the carburettor tag numbers, (the number is on a tag on the dashpot cover screw) when ordering needles please check the three letter code stamped around the top of the needle. Please contact your local Moss Europe Ltd branch for help.

17	JZX1180	NCA	SCREW, idle	1
18	AUC1358	£0.77	SCREW, throttle disc to spindle	2
19	WZX1414	NCA	THROTTLE DISC KIT	1 for FZX1531 carburettor
	WZX1387	NCA	THROTTLE DISC KIT	1 for MAC10031 & MAC1032
20	WZX1128	£34.00	THROTTLE SPINDLE KIT	1 for FZX1531 carburettor
	WZX1264	NCA	THROTTLE SPINDLE KIT	1 for MAC10031 & MAC1032
21	AUD4771	NCA	CLIP, fast idle screw	1
22	JZX1994	£2.80	SEAL, throttle spindle	2
23	JZX1846	NCA	SCREW, fast idle	1
24	NCA	NCA	SPRING, throttle return	1
26	WZX1269	NCA	FAST IDLE SCREW KIT	1
28	AUD3323	£0.64	LOCK TAB, throttle spindle	3
29	AJD8104Z	NCA	NUT, throttle spindle	3
30	NCA	NCA	Spring, throttle return	1
31	NCA	NCA	LEVER, throttle spring return	1
33	NCA	NCA	LEVER & CAM, mixture control & fast idle	1
34	AUD4417	NCA	SPRING, starter return	1
35	AUD4217	NCA	SUPPORT, starter return spring	1
36	JZX1994	£2.80	SEAL, spindle	1
37	AUD3606	£0.50	SCREW	2
38	NCA	NCA	BODY, cold start	1
39	NCA	NCA	PLATE, retaining	1
40	NCA	NCA	O-RING, cold start body	1
41	AUD3605	£0.58	GASKET, paper	1
44	AUD3585	£2.20	SCREW, mixture	1
45	AUD3586	£0.80	SEAL, mixture screw	1
46	WZX1441	£13.00	JET BEARING KIT	1
47	WZX1453A	£20.20	JET ASSEMBLY	1 for FZX1531 carburettor
	WZX2100	NCA	JET ASSEMBLY	1 for MAC10031 & MAC1032
48	CUD2399	£20.10	BI-METAL ASSEMBLY	1
49	NCA	NCA	STRAINER, fuel	1
50	WZX1099A	£14.20	NEEDLE & SEAT	1
51	WZX1509A	£14.00	FLOAT KIT	1
52	AUD3584	£3.30	SCREW, bi-metal assembly	1
53	AUD3583	£1.70	SPRING, bi-metal assembly	1
54	CUD2082	£5.50	SPINDLE, float	1
55	AUC4127	£0.55	WASHER, float spindle	1
56	AUD3588	NCA	SEAL, float lid	1
57	JZX1005	£13.34	FLOAT LID	1
58	AUD3590	£0.98	SCREW, float lid	4
59	AUC2246	NCA	WASHER, locking	4

ill. Part Number Price £ea. Description Req. Details

Req. Details

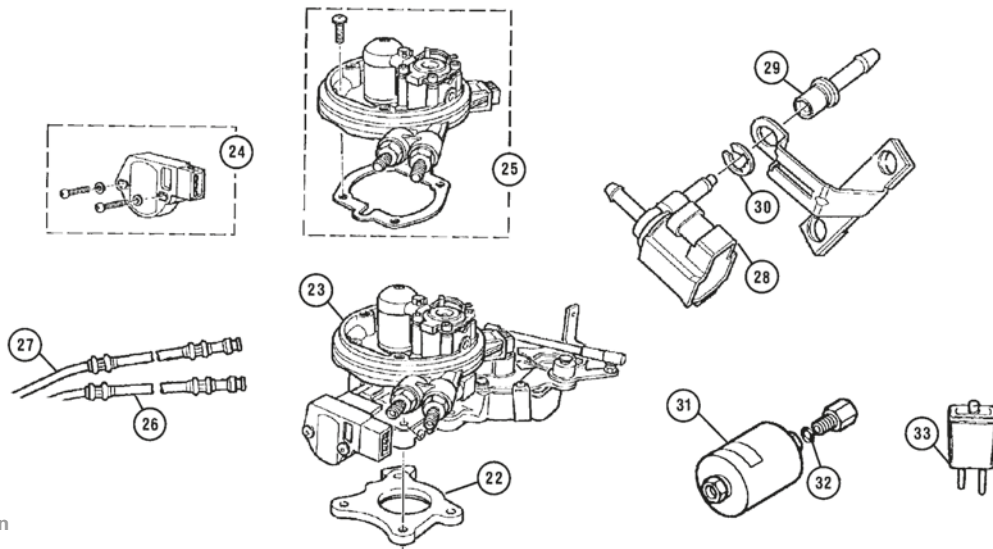


ill.	Part Number	Price £ea.	Description	Req.	Details
Carburettor Fixings					
1	AEC2083	£0.60	GASKET, carburettor to manifold	3	HS4 carburettors
2	12H1389	£43.00	SPACER, carburettor to manifold	1	
3	12G766	NCA	BRACKET, cable & spring	1	
4	GHF333	£0.30	WASHER, locking, carb. to manifold	2	
5	NT606041	£0.60	NUT, carburettor to manifold	2	
6	ACC5062	£2.15	LEVER PIN	1	
7	GHF502	£0.22	SPLIT PIN	1	
8	12A4	£2.00	TAG, return spring on lever	1	
9	21A839	£2.40	SPRING, throttle return	1	
	1E5537	£2.26	SPRING, throttle return	1	
10	GHF200	£0.22	NUT	1	
11	GHF300	£0.22	WASHER	1	
12	112867	£0.62	GASKET, carburettor to manifold	3	
13	112866	£3.80	SPACER, carburettor to manifold	1	
14	CAM4942	£15.00	BRACKET, cable	1	
15	GHF332	£0.40	WASHER, locking	4	
16	NT605041	£0.30	NUT, carburettor to manifold	4	

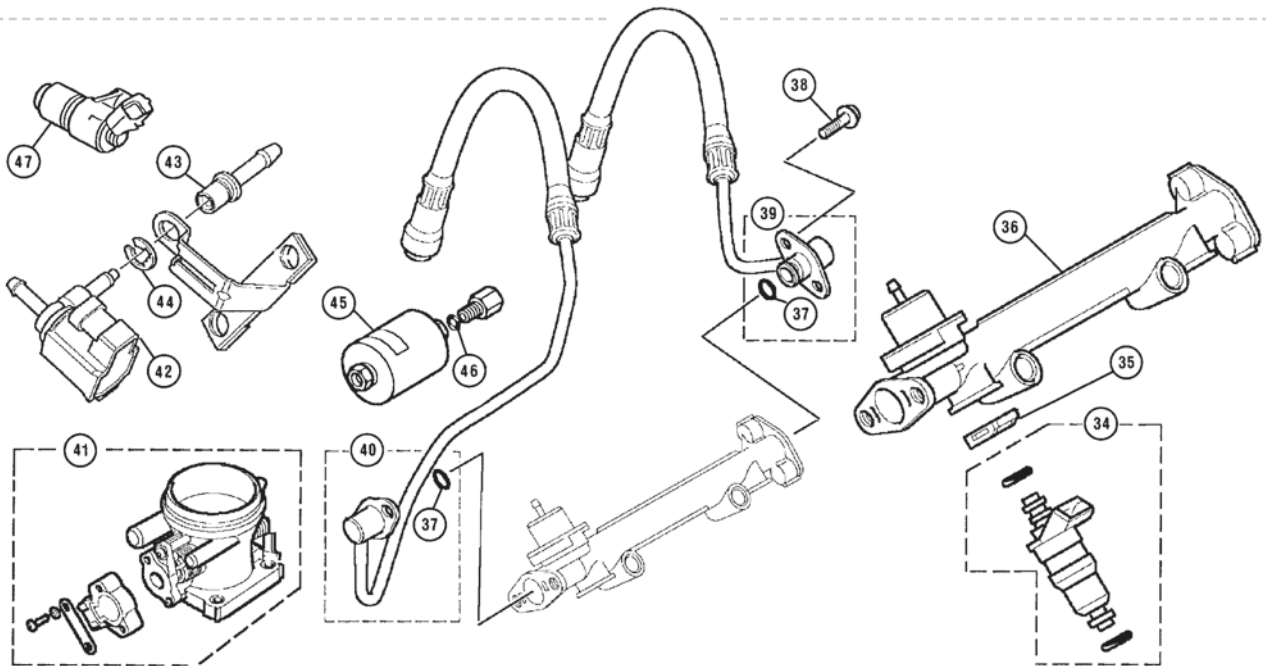
Engine Controls

17	NAM7914	£6.30	ACCELERATOR CABLE	1	all 998cc models
	CAHT85	£6.30	ACCELERATOR CABLE	1	special tuning cable (Nylon inner sleeved to create smoother action. 5 inches longer making it ideal for Weber fitment).
	MCR104	£12.00	ACCELERATOR CABLE, RHD	1	1300cc Cooper

ill.	Part Number	Price £ea.	Description	Req.	Details
	MCR104	£12.00	ACCELERATOR CABLE, RHD	1	SBB10099 alternative
	SBB10126	£11.40	ACCELERATOR CABLE, LHD	1	1300cc Cooper
	SBB102510	£9.30	ACCELERATOR CABLE, RHD	1	late SPI VIN604847 On
	SBB103400	£22.20	ACCELERATOR CABLE, RHD	1	MPI 1996-On
	SBB103720	£69.10	ACCELERATOR CABLE, LHD	1	MPI 1996-On
	NNS10001	£97.80	SWITCH, ECU (Input, (ECU), electric control unit SPI).	1	accelerator pedal switch
18	11H1172	£5.00	CLIP, cable to pedal	1	From VIN253000 To VIN303802
	DCP7342	£1.40	CLIP, cable to pedal	1	From VIN303803 On
19	21A1202	£19.90	CHOKE CABLE	1	MkI and MkII
	21A2329	£12.00	CHOKE CABLE	1	998cc To VIN278182
	MCR106	£20.40	CHOKE CABLE	1	998cc VIN278183 On
	MCR105	£15.30	CHOKE CABLE	1	Cooper 1300cc
	MCR105	£15.30	CHOKE CABLE	1	SBF10031 alternative
20	AUE34	£2.40	NIPPLE, cable end	1/2	quantity reduced for 998cc
21	516962A	£0.95	CLIP, choke cable to bracket	1	



Single Point Injection



Multi Point Injection

ill. Part Number Price £ea. Description Req. Details

Fuel Injection

Single Point Injection

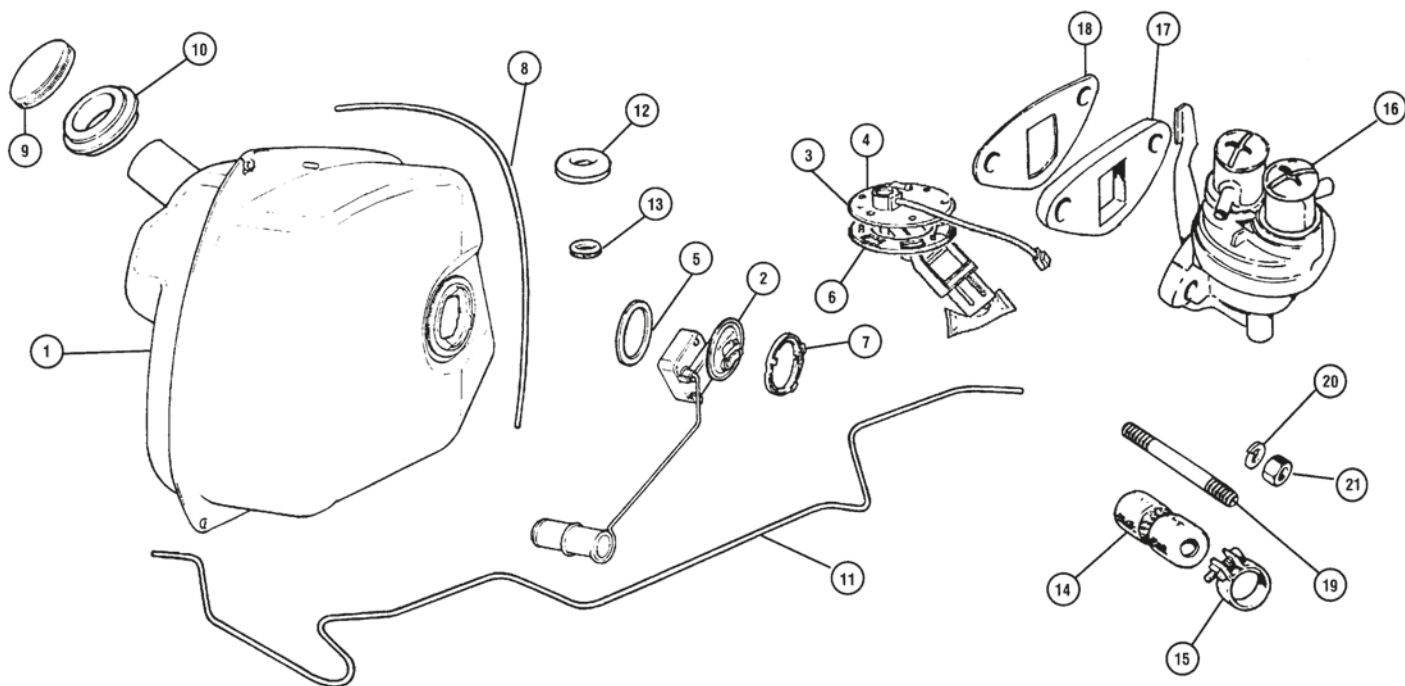
22	LZV1101EVA	£20.35	SPACER, throttle body	1	
23	MLB10028	£425.40	THROTTLE BODY	1	SPI includes injector
24	MMJ10003	£170.60	THROTTLE POTENTIOMETER	1	SPI
25	MMJ10004	NCA	INJECTOR ASSEMBLY	1	SPI
26	WJH104300	NCA	HOSE, fuel supply	1	
27	WJH104310	NCA	HOSE, fuel return	1	
28	AUU1503	NCA	PURGE VALVE	1	
29	JZV1223	NCA	TUBE, purge valve	1	
30	JZV1224	NCA	CLIP, tube	1	
31	GFE7059	£11.50	FILTER, fuel	1	
32	EDP9976	£2.40	SEAL	2	seal at fuel filter
33	NPC10001	£19.90	FUEL TRAP	1	
	NNS10001	£97.80	PEDAL SWITCH	1	

Multi Point Injection

34	MJY100460	£101.50	FUEL INJECTOR	2	MPI
----	-----------	---------	---------------	---	-----

ill. Part Number Price £ea. Description Req. Details

35	MHN10004	NCA	CLIP, hold fuel injector	2	MPI
36	MJN100670	NCA	FUEL DELIVERY RAIL	1	MPI
37	BAU5325	£5.00	SEAL	2	MPI 'O' ring seal fuel delivery & return pipes to fuel rail
38	MYP100300	£2.30	BOLT	4	fuel hose to delivery rail
39	WJH103900	£56.70	HOSE, fuel supply	1	
40	WJH103910	£67.50	HOSE, fuel return	1	
41	MHB000480	£692.50	THROTTLE BODY, plastic	1	MPI 48mm
	MT3601	NCA	THROTTLE BODY, alloy	1	MPI replacement, 48mm
	MT3602	NCA	THROTTLE BODY, alloy	1	MPI replacement, 52mm
42	AUU1503	NCA	PURGE VALVE	1	
43	JZV1223	NCA	TUBE, purge valve	1	
44	JZV1224	NCA	CLIP, tube	1	
45	GFE7059	£11.50	FILTER, fuel	1	MPI 1997-98
	WJN101190	£13.80	FILTER, fuel	1	MPI 1998-On
46	EDP9976	£2.40	SEAL	2	seal at fuel filter
47	MHK100600	£132.00	SENSOR, manifold pressure	1	



Part Number	Price £ea.	Description	Req.	Details
Fuel Tank and Pump				
Note: 5.5 gallon fuel tanks are no longer available. Use ARP1043 with 21A2838 strap.				
1 ARP1043	£301.40	FUEL TANK, 7.5 gallon	1	carburettor models
WFE106090	£360.70	FUEL TANK, 7.5 gallon	1	injection models
21A2838	£16.00	STRAP SUPPORT, fuel tank	1	7.5 gallon tank, diagonal fit
2A2226	£9.30	STRAP SUPPORT, fuel tank, upper, long	1	5.5 gallon tanks, two piece retaining strap
SH605181	£1.43	SCREW, strap to floor	1	
346071A	£1.80	CAGED NUT, on boot floor bracket	1	
2 XNB10007	£22.50	SENDER UNIT, fuel tank	1	carburettor only
XNB100380	£34.20	SENDER UNIT, fuel tank	1	injection only
3 WFX10045	NCA	FUEL PUMP	1	SPI
4 WFX100810	£185.00	FUEL PUMP	1	MPI
WFX100810Z	NCA	FUEL PUMP, alternative	1	
5 ARA1502	£2.60	SEAL, sender unit	1	
6 EDP9317	£34.30	SEAL, fuel pump	1	injection only
7 ARA1501	£1.20	RING, locking, sender unit	1	
8 GWW202M	£1.80	PIPE, tank vent	a/r	per metre
9 GSS154	£18.00	FUEL CAP, locking, vented	1	carburettor models
GSS154Z	£12.30	FUEL CAP, locking, vented, slimline	1	
WLD10027	£6.00	FUEL CAP, non locking, non vented	1	injection models
WLD100310	£18.00	FUEL CAP, locking, non vented	1	
21A2109	£3.60	SEAL, fuel cap	1	
10 14A7057	£7.50	SEAL, filler neck to body	1	
2A2069	£1.43	SEAL, filler neck foam	1	alternative
11 MPKF225	£46.10	PIPE, fuel, tank to pump, kunifer	1	1/4" O/D x 25ft long
21A2183	£384.50	FUEL TANK, right hand	1	Cooper S, 5.5 gal
21A2185	NCA	FUEL TANK, right hand, alloy	1	Cooper S, 5.5 gal
MT3121	£77.10	FITTING KIT, right hand tank	1	tank fitting kit
GAC8436X	£18.50	FILLER NECK KIT	1	
(If you want the right hand tank look without the tank, this dummy filler neck is the answer, supplied complete with neck seal).				
GAC8436Q2	£2.86	NECK SEAL	1	dummy seal for GAC8436X
21A291	£270.10	FUEL TANK, van/estate/pickup	1	use only vented cap
WLD10027	£6.00	FUEL CAP, non locking	1	vented
21A2109	£3.60	SEAL, fuel cap	1	
AAU8340	£33.60	SENDER UNIT	1	
2H1082	£0.48	GASKET, sender unit	1	
293-401	£4.50	GASKET SET, VITON	1	
21A304	£2.05	NUT, large	3	fits at rear of tank
AB614101	£1.04	SCREW, large	3	for 21A304
21A305	£1.57	NUT, small	3	fits at rear of tank
AB614061	£1.10	SCREW, small	3	for 21A305

Note: For the main feed pipe 4 metres is required. This can then be cut to the correct length.

GFH1025X £6.60 HOSE, fuel, rubber a/r per metre
 Note: GFH1025X is only sold in metre lengths and must be cut to the following lengths: Tank to main pipe 11", main pipe to pump 3", pump to pipe 3", pipe to carburettor 3".

12 ACB8474	£1.70	GROMMET	1	fuel pipe through floor
13 RFN403	£1.20	GROMMET	1	tank vent pipe through floor

Part Number	Price £ea.	Description	Req.	Details
WYA10001	£9.60	GROMMET, oval hole 2in fuel lines	1	MPI (Required also if a new body shell has been purchased).
14 GGT101	£2.40	HOSE, fuel, braided	a/r	2.5" long
GGT102	£4.75	HOSE, fuel, braided	a/r	6.75" long
GGT104	£6.20	HOSE, fuel, braided	a/r	10.0" long
GGT105	£6.50	HOSE, fuel, braided	a/r	11.75" long
GGT106	£6.30	HOSE, fuel, braided	a/r	14" long
15 GGT1117X	£1.57	CLIP, for braided hose	a/r	
16 AZX1818	£88.00	FUEL PUMP, mechanical	1	For all mechanical pumps
AZX1818	£88.00	FUEL PUMP, mechanical, aftermarket	1	Cooper 1990-91
AZX1817	£88.00	FUEL PUMP, mechanical	1	
17 GUG705603GM	£7.90	SPACER, pump to block	1	
18 GUG705779GM	£0.84	GASKET, mechanical pumps	2	
19 CHS2515	£1.43	STUD, for mechanical pump	2	
20 GHF332	£0.40	WASHER, locking	2	
21 GHF201	£0.14	NUT	2	
AUF214	£98.40	FUEL PUMP, electric	1	point type To 1970
AUF214Z	£84.40	FUEL PUMP, electric, aftermarket	1	point type To 1970
AUB6106A	£14.50	CONTACT SET	1	
AUB663	£5.50	BANJO	2	
AUB676	£0.65	SEALING WASHER	a/r	
AUB617	£3.55	FILTER	1	
WZX1701	£14.80	VALVE KIT	1	

Interrupter Fuel Pump Kits

Note: These pumps can be mounted either at the front or rear of the car.

TMG2930K	£134.35	FUEL PUMP KIT, negative earth	1	18 gal/hr flow 4.0 psi
TMG2930P	NCA	FUEL PUMP KIT, positive earth	1	18 gal/hr flow 4.0 psi
MGS2930K	£139.90	FUEL PUMP KIT, negative earth	1	25 gal/hr flow 5.0 psi
TT2930	£121.15	FUEL PUMP KIT, negative earth	1	38 gal/hr flow 6.5-7.0 psi

Solid State Fuel Pump Kits

Note: These pumps are required to be fitted within 12 inches of the fuel supply (tank) and below the fuel outlet because they rely on a gravity feed.

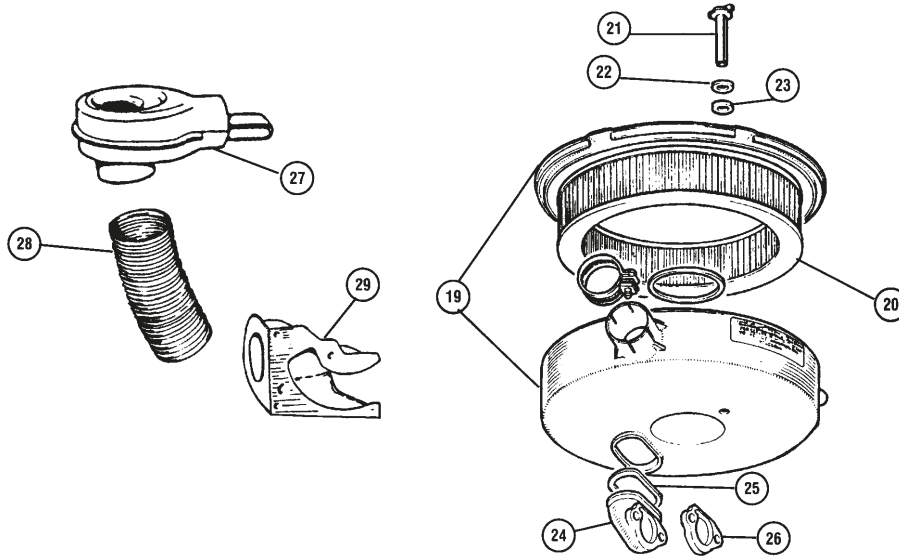
TMG2931K	£75.20	FUEL PUMP KIT, negative earth	1	18 gal/hr flow, 4.0-5.5 psi
MGS2931	£54.00	FUEL PUMP KIT, negative earth	1	25 gal/hr flow, 6.0- 7.0 psi

Note: We recommend that you fit an in line pressure regulator/filter.

TT2927	£64.80	FILTER/REGULATOR (67mm deep glass bowl, 6mm unions).	1	road, competition
C41220AX	£38.00	INERTIA SWITCH KIT (Cuts electrical supply to pump).	1	inline switch

ill.	Part Number	Price £ea.	Description	Req.	Details
Fuel Pump Unions					
				Pipe	Thread
	FPA903B	£1.75	UNION, straight	a/r	1/4 (6mm) 1/8 npt
	MOC1604	£3.70	UNION, straight	a/r	5/16 (8mm) 1/8 npt
	FPA904/B	£3.25	UNION, straight	a/r	3/8 (10mm) 1/8 npt
	MOC1841	£7.20	UNION, 90°	a/r	5/16 (8mm) 1/8 npt
	TT2930A	£6.85	UNION, 90°, pair	a/r	5/16 (8mm) 1/4 npt
	FPA902B	£7.20	UNION, 90°, pair	a/r	3/8 (10mm) 1/4 npt

ill.	Part Number	Price £ea.	Description	Req.	Details
Fuel Filter/Regulators & Unions					
Note: We recommend fitting an in line pressure regulator/filter with uprated fuel pumps. Also see accessories.					
				Pipe	Thread
	TT29321	£7.20	UNION, pair	a/r	1/4 (6mm) 1/8 npt
	TT2927	£64.80	FILTER/REGULATOR (67mm deep glass bowl, 6mm unions).	1	road/competition
	C41220AX	£38.00	INERTIA SWITCH KIT (Cuts electrical supply to pump).	1	inline switch
	PRO804	£9.60	IN LINE FILTER, chrome/glass	1	
	PRO895	£1.04	SEAL, in-line fuel filter	1	
	PRO896	£5.40	ELEMENT, filter pack	1	Pack of 3



ill.	Part Number	Price £ea.	Description	Req.	Details
Air Filters					
19	12G4298	NCA	AIR FILTER ASSEMBLY	1	998cc non servo
20	GFE1002	£8.10	ELEMENT, air filter	1	all 850cc models
	GFE1008	£6.70	ELEMENT, air filter	1	all 998cc models
	GFE1096	£6.00	ELEMENT, air filter	1	Cooper 1300cc + SE
	GFE1143	£10.00	ELEMENT, air filter	1	injection SPI and MPI
21	12G1811	NCA	WING NUT, filter casing	2	
22	12A1436	£0.98	WASHER, steel	2	
23	12A1437	£0.66	WASHER, fibre	2	

ill.	Part Number	Price £ea.	Description	Req.	Details
	KN56-9142	£90.50	AIR FILTER, oval (7" wide x 5" high x 1-3/4" deep).	1	HS6 1-3/4" SU with offset hole
	KN56-9320	£102.00	AIR FILTER, tapered	1	HS4 1-1/2" SU
	KN56-9327	£121.20	AIR FILTER, tapered	1	HS6 1-3/4" SU
	KN56-9330	£110.20	AIR FILTER, tapered	1	HIF6/44 1-3/4" SU
	KN62-1010	£29.20	BREATHER FILTER	a/r	1/2" inlet
	KN62-1330	£26.40	BREATHER FILTER	a/r	1/2" inlet
	KN99-0621	£13.50	CLEANING FLUID, 1ltr	a/r	
	KN99-11312	£7.30	FILTER OIL, sachet, 14ml	a/r	
	KN99-0533	£7.00	FILTER OIL, 250ml	a/r	
	KN99-0516	£12.00	FILTER OIL, aerosol, 335ml	a/r	

Note: If you require a high performance air filter, please see the accessories section for K&N range of air filters, or contact your local branch.

24	12G1812	NCA	ELBOW, filter case to carburettor	1	all 998cc models
	CAM4694	NCA	ELBOW, filter case to carburettor	1	Cooper 1300cc + SE
25	12A1433	£2.40	SEAL, elbow to filter seal	1	
26	12G2125	£0.37	GASKET, elbow to carburettor	1	all 998cc models
	GUG705576GM	£1.04	GASKET, elbow to carburettor	1	Cooper 1300cc + SE
27	12G3210	£22.60	CONTROL, air temperature	1	all 998cc models
28	12H4344	£3.70	HOSE, (cut to length)	1	998cc non servo and Cooper
	LKM10002	NCA	HOSE, (cut to length)	1	998cc direct servo
29	12G3213	NCA	DUCT, warm air	1	998cc non servo
	TAM2149	NCA	DUCT, warm air	1	998cc direct servo
	CAM6767	NCA	DUCT, warm air	1	Cooper 1300/1275cc

57i Induction Kits

Note: These kits replace the air filter case and are supplied with cold air ducting.

KN57-0082	£112.00	57i INDUCTION KIT	1	SPI models
KN57-0189	£136.60	57i INDUCTION KIT	1	MPI models

Stub Stacks

HS4 Stub Stacks

SFR430	£33.00	STUB STACK, 30mm	1	silver polished
SFR2	£18.85	STUB STACK, short	1	period style
SFR8	£18.85	STUB STACK, long	1	period style

HS6 Stub Stacks

SFR650	£31.10	STUB STACK	1	silver polished
SFR3	£18.85	STUB STACK, short	1	period style
SFR9	£18.85	STUB STACK, long	1	period style

HIF SU's Stub Stacks

SFR4430	£35.20	STUB STACK	1	silver polished
SFR4430B	£24.90	STUB STACK	1	blue anodised

K&N Air Filters

Replacement Elements

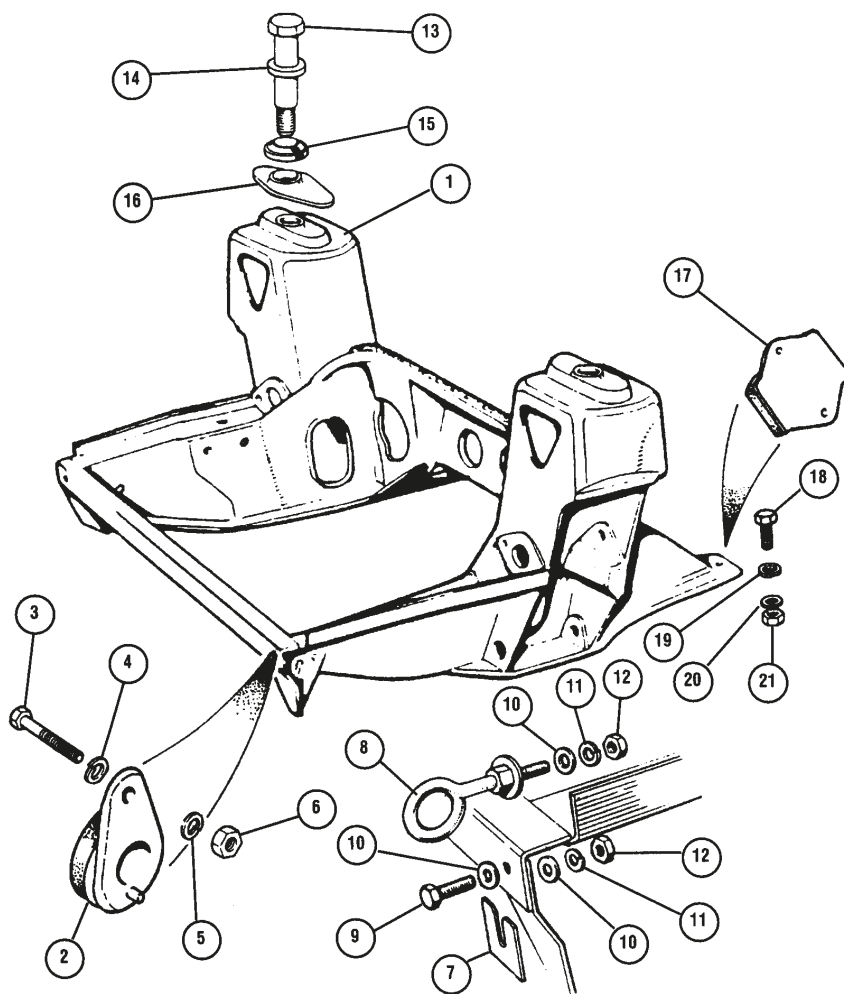
Note: These filters fit inside the standard air filter case.

KNE2601	£46.20	K&N ELEMENT, air filter	1	HS4 and HIF38
KNE9172	£48.60	K&N ELEMENT, air filter	1	injection cars, SPI and MPI

Bolt-On Air Filters

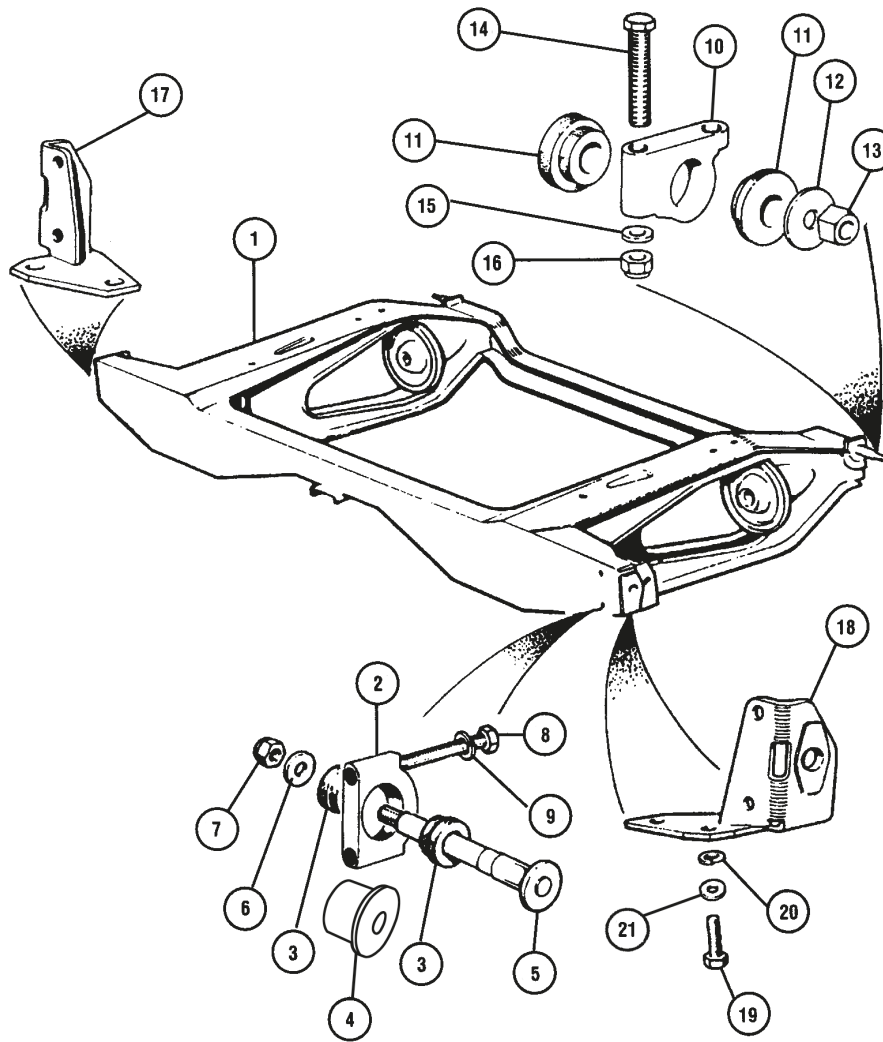
Note: These filters replace the air filter and elbow, bolts directly to carburettor.

KN56-9128	£94.50	AIR FILTER	1	HS4 1-1/2" SU
-----------	--------	------------	---	---------------



ill.	Part Number	Price £ea.	Description	Req.	Details
Front Subframe					
1	21A2570	£546.30	FRONT SUBFRAME, BMH	1	1969-75
	KGB10022	£519.40	FRONT SUBFRAME, BMH	1	1976-92, 998cc
	KGB10027	£519.40	FRONT SUBFRAME, BMH	1	1991-96, 1275cc
	KGB100500	£519.40	FRONT SUBFRAME, BMH	1	1997-0n
	KGB10024	£519.40	FRONT SUBFRAME, BMH	1	1976-On, automatic
	HMP241001	£1,980.00	ASSEMBLED FRONT SUBFRAME, BMH	1	1976-96 (Includes full suspension, brakes, hubs & drive shafts).
	HMP241003	£1,980.00	ASSEMBLED FRONT SUBFRAME, BMH	1	1997-0n (Includes full suspension, brakes, hubs & drive shafts).
2	21A2624	£12.30	FRONT MOUNTING, teardrop, OE	2	
	21A2624Z	£4.00	FRONT MOUNTING, teardrop	2	aftermarket
	21A2624X	£29.40	FRONT MOUNTING, teardrop, (single)	2	blue anodised machined billet alloy
	CSTR641	£20.40	FRONT MOUNTING, teardrop, pair	1	cast alloy
Note: See the accessories section for more polyurethane and solid subframe mounting options.					
3	GHF103	£0.60	SCREW, mounting to valance	2	
4	GHF332	£0.40	WASHER, locking	2	
5	GHF301	£0.24	WASHER	2	
6	FNZ505	£0.72	NUT	2	
7	2A4292	£10.80	PACKING	a/r	
(Subframe to front valance standard fitment 96 on required when fitting 13 inch wheels or 165/60/12 tyres to 4.5 + wide wheels to space the front panel slightly forward).					
8	21A1241	£11.90	EYE BOLT	2	alternatives
	KPU100160	NCA	EYE NUT, towing eye	2	female fitment

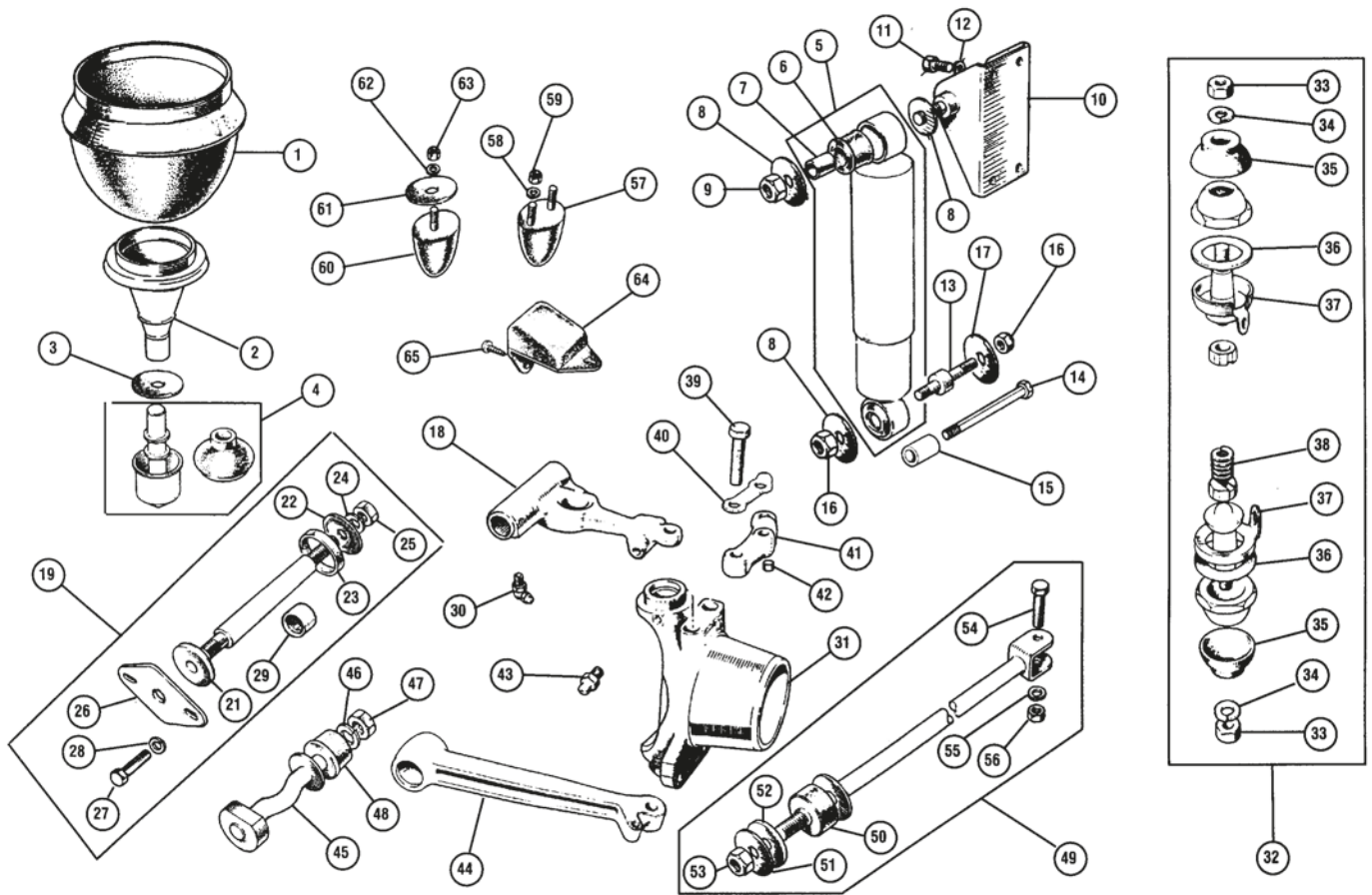
ill.	Part Number	Price £ea.	Description	Req.	Details
9	GHF105	£0.41	BOLT	2	alternatives
10	GHF302	£1.00	WASHER, plain	2	
11	GHF333	£0.30	WASHER, locking	2	
12	FNZ506	£0.70	NUT	2	
13	21A2596	NCA	BOLT, subframe tower mounting	2	
14	53K3755	£1.26	WASHER	2	
15	KGE100050	£4.15	BUSH, bolt to crossmember	2	
	KGE100050SP	£6.35	BUSH, bolt to crossmember	2	polyurethane
	KAD1013297	£17.70	BUSH, alloy, bolt to crossmember	2	solid subframe mounting (Eliminates front subframe movement).
	CSTR640	£22.00	BUSH KIT, alloy kit, set of 4	1	solid tower mount kit (Replaces both top & bottom pads between cross member & subframe).
16	KGE100060	£4.80	PAD, subframe to body, rubber	2	
	KGE100060SPK	£39.50	PAD KIT, subframe to body, poly.	1	(Kit includes: 2 tower mounting pads & 2 tower bolt washers).
17	21A2599Z	£4.00	REAR MOUNTING	2	
	CSTR642	£20.40	REAR MOUNTING, pair	1	solid steel subframe (Eliminates front subframe movement).
18	SH605061	£0.22	SCREW	8	Mounting to toe board and subframe
19	WC108051	£0.30	WASHER, plain	8	
20	GHF332	£0.40	WASHER, locking	12	
21	GHF201	£0.14	NUT	8	



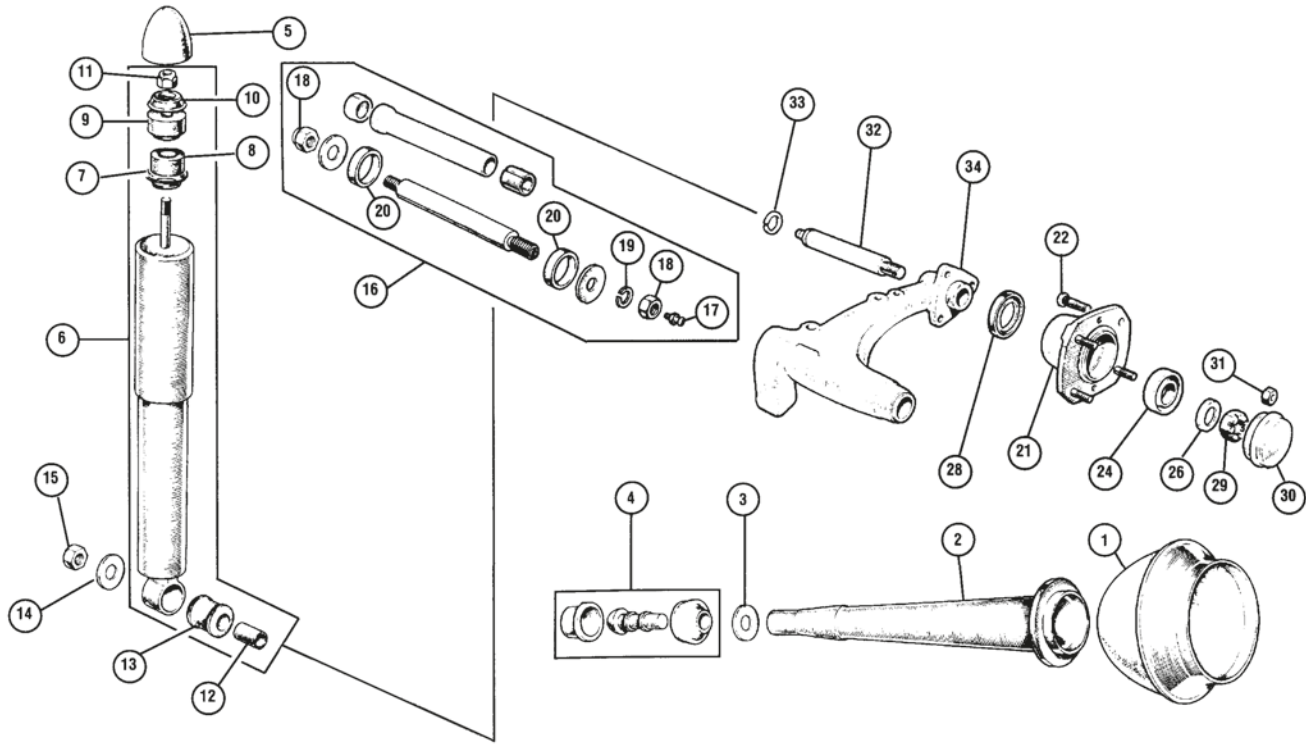
ill.	Part Number	Price £ea.	Description	Req.	Details
Rear Subframe					
1	KHB10026	NCA	REAR SUBFRAME, BMH (Hook/rod type exhaust hangers. With mounting trunnions).	1	1959-97 pre-injection, dry
	FAM6292	£487.30	REAR SUBFRAME, BMH (Bolt-on/cotton reel exhaust hangers).	1	1959-91
	FAM6292Z	£244.00	REAR SUBFRAME, aftermarket (Bolt-on/cotton reel exhaust hangers).	1	pre-injection, dry
	FAM6292A	£487.30	REAR SUBFRAME, BMH, Hi-Lo (Bolt-on/cotton reel exhaust hangers).	1	1959-91 pre-injection, dry
	KHB10024	£487.30	REAR SUBFRAME, BMH (Includes rods for rubber exhaust mountings).	1	1992-On
	KHB10023	£487.30	REAR SUBFRAME, BMH (Hook/rod type exhaust hangers. Without mounting trunnions)	1	Germany
	KHB100590	£487.30	REAR SUBFRAME, BMH (Hook/rod type exhaust hangers).	1	13" Wheels Silverstone, Sportpack & Cooper.
	21A2160	£487.30	REAR SUBFRAME, BMH (Not Cooper or Cooper S).	1	1964-71 hydrolastic
	HMP241002	NCA	ASSEMBLED REAR SUBFRAME, BMH (Hook/rod type exhaust hangers. Inc. full suspension, brakes & hubs).	1	1976-On
2	2A5819	£41.10	TRUNNION, stepped, front mount	2	To 1976
	21A2558	£41.10	TRUNNION, front mount	2	1976-On
3	2A5818	£1.50	MOUNTING BUSH, split type, rubber	4	To 1976
	2A5818SPK	£16.94	MOUNTING BUSH KIT, split type, poly. (Kit includes: 4 bushes for one pair of trunnions).	1	front mount

Note: In 1976 the rear subframe were changed to a large single bush on the front mounting and the small split bushes kept on the rear mountings. The large bushes are used with 21A2558 trunnion. Note: see the accessories section for more polyurethane and solid subframe mountings.

ill.	Part Number	Price £ea.	Description	Req.	Details
4	21A2560	£6.70	MOUNTING BUSH, large, rubber	2	1976-On
	21A2560SPK	£17.75	MOUNTING BUSH KIT, large, poly. (Kit includes: 2 bushes for one pair of trunnions).	1	front mount
5	21A1440	£20.40	SUPPORT PIN, front mounting	2	
6	PWZ207	£0.85	WASHER, plain	4	
7	LNZ207	£1.10	NUT, nyloc	4	
8	BH605101	£0.95	BOLT, front trunnion, short	2	To 1976
	BH605201	£1.26	BOLT, front trunnion, long	2	To 1976
	BH605201	£1.26	BOLT, front trunnion, long	4	1976-On
9	GHF332	£0.40	WASHER, locking	4	
10	2A5819	£41.10	TRUNNION, stepped	2	To 1976
11	2A5818	£1.50	MOUNTING BUSH, split type, rubber	4	all models
	2A5818SPK	£16.94	MOUNTING BUSH KIT, split type, poly. (Kit includes: 4 bushes for one pair of trunnions).	1	rear mount
12	PWZ207	£0.85	WASHER, plain	4	
13	LNZ207	£1.10	NUT, nyloc	4	
14	BH605101	£0.95	BOLT, rear trunnion, short	2	
	BH605201	£1.26	BOLT, rear trunnion, long	2	
15	GHF301	£0.24	WASHER	4	
16	GHF222	£0.55	NUT, nyloc	4	
17	21A195	£14.40	BRACKET, radius arm, RH	1	
18	21A197	£14.40	BRACKET, radius arm, LH	1	
	WPT90021	£41.60	BRACKETS, radius arms, pair	1	adjustable camber
	WPT9002X	£30.60	BRACKETS, radius arms, pair	1	+ 1.5° extra -ve camber
19	GHF120	£0.30	SCREW, bracket to rear subframe	8	
20	GHF332	£0.40	WASHER, locking	8	
21	GHF301	£0.24	WASHER	8	



Ill.	Part Number	Price £ea.	Description	Req.	Details	Ill.	Part Number	Price £ea.	Description	Req.	Details
Front Suspension (Dry)						45	2A4362	£22.10	FULCRUM PIN, lower	2	
1	FAM3968	£57.00	RUBBER CONE, standard, metric thread	2	genuine Rover	46	GHF333	£0.30	WASHER, locking	2	
	FAM3968RX	£70.30	RUBBER CONE, uprated, metric thread	2	use with Hi-Lo kit	47	FNZ506	£0.70	NUT	2	
	FAM3968X	£426.30	COIL SPRING KIT, blue	1	softer, front and rear spring kit, replaces rubber cone	48	2A4294	NCA	BUSH, lower arm, straight hole	4	1959-65
	FAM3968HX	£441.90	COIL SPRING KIT, red	1	firmer, front and rear spring kit, replaces rubber cone	21A1882	£2.00	BUSH, lower arm, tapered hole	4	1966-On	
2	21A530	£48.00	STRUT	2		21A1882SPK	£19.90	BUSH KIT, lower arm, polyurethane (Kit includes: 2 bushes & 2 tubes).	1		
	GAC8437X	£128.11	HI-LO, suspension kit	1	adjustable height kit front and rear	49	21A450	£9.30	TIE BAR	2	
	GAC84371	£55.90	HI-LO TRUMPET (Inc: 2 x Hi-lo cones and 2 x 21A423).	1	adjustable height cones kit	8G4249	£15.10	TIE BAR & BUSH SET	2	per side	
	GAC84374	£7.20	ALLEN BAR, front	1	adjustable susp. heights	WPT9003X	£28.00	TIE BAR SET, heavy duty, pair (This set does not include bushes).	1		
	GAC8432X	£71.40	ADJUSTA-RIDE, suspension kit	1	adjustable height kit front to raise ride height	50	31G1155	£0.72	BUSH, tie bar end, rubber	4	
3	21A1845	£4.00	WASHER, packing (Cars with 12" wheels require 1 packing washer per side).	a/r		31G1155H	£2.30	BUSH, tie bar end, rubber	4	harder road spec	
4	GSV1118	£3.50	KNUCKLE JOINT	2		31G1155VH	£2.90	BUSH, tie bar end, rubber	4	harder race spec	
	21A423	£1.21	CUP	2	suspension knuckle cup	31G1155SPK	£14.40	BUSH KIT, tie bar end, polyurethane (Kit includes: 4 bushes).	1		
	21A425	£0.95	GAITER	2	suspension knuckle gaiter	51	PWZ207	£0.85	WASHER, tie bar end	2	
5	GSA71541	£16.00	SHOCK ABSORBER	2		52	2A4328	£1.36	WASHER, cup tie bar end	2	
	GAC84011XPR	£160.00	SHOCK ABSORBER, Spax, pair	2	standard height	ACA9759	£2.40	WASHER SET, front tie bar	2	contains items 51 and 52	
	GAC84021XPR	£160.00	SHOCK ABSORBER, Spax, pair	2	lowered height	53	GHF224	£0.66	NUT, nyloc tie bar end	2	
	GAC8401XG	£59.00	SHOCK ABSORBER, Gaz	2	standard height	54	53K1031	£1.75	BOLT, tie bar to lower arm	2	
	GAC8402XG	£59.00	SHOCK ABSORBER, Gaz	2	lowered height	55	GHF332	£0.40	WASHER, locking	2	
	MT1302	£29.30	SHOCK ABSORBER, Gmax	2	30% uprated	56	FNZ505	£0.72	NUT	2	
	SPCK19	£710.00	SHOCK ABSORBER KIT, Spax (Adjustable ride height for front and rear).	1	coil over kit, standard height	57	2A4332	£6.30	BUMP STOP, 2 stud fixing	2	To 1975
	SPCK20	£710.00	SHOCK ABSORBER KIT, Spax (Adjustable ride height for front and rear).	1	coil over kit, lowered height	58	GHF331	£0.38	WASHER, locking	4	
6	21A1230	£1.43	BUSH, shock absorber	4		59	GHF200	£0.22	NUT	4	
7	21A504	£3.10	SLEEVE	4	shock absorber	21A1598	£14.40	REBOUND BUFFER	2	fit hydro suspension cars fitted to top arm	
8	AJD7162	£0.50	WASHER	8	bush	60	FAM2764	£5.80	BUMP STOP, 1 stud fixing	2	1976-On
9	GHF223	£0.53	NUT, nyloc	2	top mount	61	FAM2767	£4.50	PACKING, bump stop	2	12" wheel models only
10	21A471	£28.10	MOUNTING, RH	1	shock absorber	62	GHF331	£0.38	WASHER, locking	2	
	21A474	£28.10	MOUNTING, LH	1	top	63	GHF200	£0.22	NUT	2	
11	GHF117	£0.30	SCREW, bracket to inner wing	8		64	2A4267	£3.55	BUFFER, rebound	2	
12	GHF331	£0.38	WASHER, locking	8		2A4267P	NCA	BUFFER, rebound	2	polyurethane	
13	2A4337	NCA	PIN, lower shock absorber mount	2	alternatives to item 13	65	PMZ308	£0.30	SCREW, buffer retaining	4	
14	BH606321	£1.70	BOLT, lower shock absorber mount	2		MTR4201	£40.30	GAUGE, camber (This gauge allows you to correctly set up your suspension to get the best from your Mini where it excels most, the corners).	1		
15	21A2694	£3.20	SPACER, (use with BH606321)	2		MT9600	£30.60	CONE COMPRESSOR	1	metric cones only	
16	GHF223	£0.53	NUT, nyloc (Quantity reduced when item 14, (BH606321) is used).	4/2		GAC9424X	£81.10	CONE COMPRESSOR	1	metric and imperial cones	
17	GHF302	£1.00	WASHER	2							
18	21A2690	£246.50	UPPER ARM, RH	1							
	21A2691	£246.50	UPPER ARM, LH	1							
19	2A4325K	£16.00	REPAIR KIT, top fulcrum shaft	2							
21	2A4326	£3.70	THRUST COLLAR	2							
22	2A7324	£3.20	THRUST WASHER	2							
23	2A7327	£0.64	SEAL, rubber ring on top arm	4							
	115702SP	£2.26	SEAL, polyurethane	4	alternative						
24	GHF335	£0.46	WASHER, locking, shaft end	4							
25	FNZ508	£1.49	NUT, shaft end	4							
26	2A4327	£6.90	PLATE, shaft retaining	2							
27	SH604051	£0.30	SCREW, plate retaining	4							
28	GHF331	£0.38	WASHER, locking	4							
29	88G302	£5.60	NEEDLE ROLLER, top arm	4							
30	UHN445	£1.60	GREASE NIPPLE, top arm	2							
31	21A371	£70.70	HUB CARRIER, RH	1	drum brakes						
	21A372	NCA	HUB CARRIER, LH	1							
	FAM2390	£71.10	HUB CARRIER, RH	1	disc brakes						
	FAM2391	£58.50	HUB CARRIER, LH	1							
32	GSJ166	£10.50	SWIVEL PIN KIT, (per side)	2							
	GSJ166SK	£1.43	SHIM KIT, swivel pin, (per side)	2							
33	FNZ507	£0.95	NUT, high tensile	4							
34	GHF334	£0.73	WASHER, locking	4							
35	BTA377	£1.10	DUST COVER	4							
36	2A4240	NCA	SHIM, 0.005" (0.127mm)	a/r							
37	2A4238	£2.00	LOCKTAB	4							
38	21A370	NCA	SPRING	2							
39	2A4315	£3.60	BOLT, steering arm to hub carrier	4							
40	2K5377	£1.50	LOCKTAB, steering arm	2							
41	BTA896	NCA	STEERING ARM, RH	1							
	BTA897	£52.20	STEERING ARM, LH	1							
	BTA894	£20.50	STEERING ARM, RH	1	Cooper S						
	BTA895	£20.50	STEERING ARM, LH	1	Cooper S						
42	FAM6924	£4.60	DOWL, steering arm locating	4							
43	UHN400	£0.90	GREASE NIPPLE, swivel pin	4							
44	21A1879	£42.70	LOWER ARM, RH	1							
	21A1881	£42.70	LOWER ARM, LH	1							
	WPT9001X	£63.80	LOWER ARMS, negative camber	1							
	C-AJJ3363	£136.20	LOWER ARMS, adjustable (1 piece, forged, spherical-jointed rod end, adjustable lower arms (with joint) to allow adjustment for camber. Heat tested and crack tested).	1	sold in pairs						

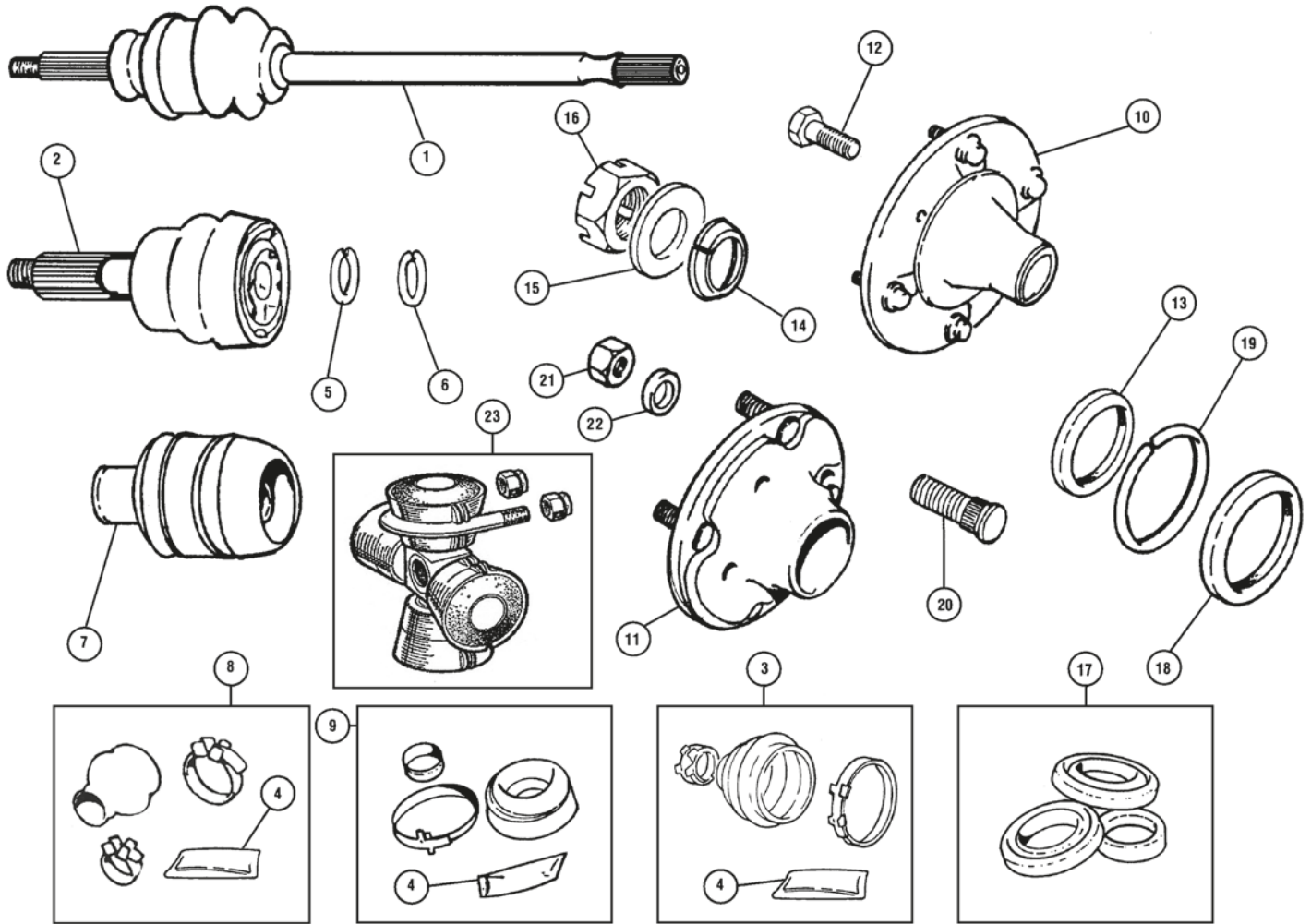


ill.	Part Number	Price £ea.	Description	Req.	Details
Rear Suspension (Dry)					
1	FAM3968	£57.00	RUBBER CONE, standard, metric thread	2	genuine Rover
	FAM3968RX	£70.30	RUBBER CONE, uprated, metric thread	2	use with Hi-Lo kit
	FAM3968X	£426.30	COIL SPRING KIT, blue	1	softer
	FAM3968HX	£441.90	COIL SPRING KIT, red	1	firmer
2	21A1684	£111.70	STRUT	2	
	GAC8437X	£128.11	HI-LO, suspension kit	1	adjustable height kit front and rear
	GAC84371	£55.90	HI-LO TRUMPET	1	adjustable height cones kit (Includes 2 x Hi-Lo cones & 2 x 21A423).
	GAC84372	£15.30	RODS, extension, pair	1	used with GAC84371 when fitting to rear suspension
	GAC84373	£7.80	ALLEN BAR, rear	1	adjusting suspension height
	GAC8433X	£122.65	ADJUSTA-RIDE, suspension kit	1	adjustable height kit rear
3	21A1845	£4.00	WASHER	a/r	packing to raise ride height
4	GSV1118	£3.50	KNUCKLE JOINT	2	
	21A423	£1.21	CUP	2	suspension knuckle
	21A425	£0.95	GAITER	2	suspension knuckle
5	21A640	NCA	COVER, top shock absorber mounting	2	
6	GSA71542	£13.50	SHOCK ABSORBER	2	
	GAC84031XPR	£160.00	SHOCK ABSORBER, Spax, pair	1	standard height
	GAC84041XPR	£160.00	SHOCK ABSORBER, Spax, pair	1	lowered height
	GAC8403XG	£59.00	SHOCK ABSORBER, Gaz, each	2	standard height
	GAC8404XG	£59.00	SHOCK ABSORBER, Gaz, each	2	lowered height
	GAC8408XPR	NCA	SHOCK ABSORBER, Koni, pair	1	lowered height
	SPCK19	£710.00	SHOCK ABSORBER KIT, Spax	1	coil over kit (Height adjustable front and rear kit standard height).
	SPCK20	£710.00	SHOCK ABSORBER KIT, Spax	1	coil over kit (Height adjustable front and rear kit lowered height).
7	517984	£1.48	WASHER, lower bush retaining	2	
8	517985	£1.31	BUSH, lower top, shock absorber	2	
9	C2542	£5.30	BUSH, upper top, shock absorber	2	
10	517984	£1.48	WASHER, upper bush retaining	2	
11	GHF273	£0.55	NUT, nylon, top shock absorber mount	2	
12	21A504	£3.10	SLEEVE, bottom shock absorber bush	2	
13	21A1230	£1.43	BUSH, bottom s/absorber mounting	2	
14	AJD7162	£0.50	WASHER	2	
15	GHF223	£0.53	NUT, nylon	2	
16	GSV1125	£12.70	REPAIR KIT	2	radius arm fulcrum pin

Note: GSV1125 requires a special tool for reaming after installation of the bearings. The special reamer 18G588 is NCA. However reconditioned and new radius arms are available. See below.

	ACA9099	£8.80	SHAFT, radius arm	2	
17	UHN400	£0.90	GREASE NIPPLE, fulcrum pin	2	
18	FNZ508	£1.49	NUT, fulcrum pin	4	
19	GHF335	£0.46	WASHER, locking	4	
20	2A7327	£0.64	SEAL, radius arm	4	
	115702SP	£2.26	SEAL, poly. version of 2A7327	4	

ill.	Part Number	Price £ea.	Description	Req.	Details
Rear Hub & Stub Axle					
21	21A2023	£38.50	HUB, with short studs	2	10" wheels To 1984
	RLH10021	NCA	HUB, with long studs	2	12" wheels 1984-On 1984-On
	21A2023XR	NCA	HUB, alloy, with long studs, red	2	includes bearings
	21A2023XB	NCA	HUB, alloy, with long studs, blue	2	includes bearings
22	21A2064	£4.55	WHEEL STUD, short	8	10" wheels To 1984
	RLJ10001	£1.26	WHEEL STUD, long	8	12" wheels 1984-On
23	GHK1548	£12.90	HUB BEARING KIT, taper roller type	2	heavy duty
26	BTAG672	£3.85	WASHER, hub	2	
28	GHS227	£1.57	SEAL, grease	2	all models
29	51K328	£3.05	NUT, RH hub	1	
	FNN2410	£5.30	NUT, LH hub	1	
30	ATB4098	£7.40	GREASE CAP	2	
31	88G322	£0.90	WHEEL NUT, round chamfer	16	standard 10" wheels
	113087	£1.39	WHEEL NUT, 60° chamfer angle	16	standard 12" wheels
	FAM5701	£9.05	WHEEL NUT, round chamfer*	16	10" with hub caps
	FAM3428	NCA	WHEEL NUT, 60° chamfer*	16	12" with hub caps
	RRD10009	£2.50	WHEEL NUT, 60° chamfer	16	Rover alloy wheels
*Note: If your car is fitted with wheel trims retained by the wheel nuts, you will require wheel nuts marked with an asterisk. Care must be taken when ordering as 'radius' and 'chamfered' wheel nuts are not interchangeable!					
32	2A7351	£33.00	STUB AXLE, RH, rear	1	
	2A7364	£33.00	STUB AXLE, LH, rear	1	
33	2A7352	£5.30	CIRCLIP, stub axle retaining	2	
34	NAM7162	£310.60	RADIUS ARM, RH, new	1	
	NAM7162N	£225.00	RADIUS ARM, RH, new, loaded	1	(Supplied with bearing, reamed bush, shaft and seals).
	NAM7162R	£76.20	RADIUS ARM, RH, reconditioned	1	(Refundable surcharge on this item - old unit required).
	NAM7163	£310.60	RADIUS ARM, LH, new	1	
	NAM7163N	£225.00	RADIUS ARM, LH, new, loaded	1	(Supplied with bearing, reamed bush, shaft and seals).
	NAM7163R	£76.20	RADIUS ARM, LH, reconditioned	1	(Refundable surcharge on this item - old unit required).
	21A1577Z	£86.90	HYDROLASTIC PIPE, suspension	2	universal replacement
	MTR4201	£40.30	GAUGE, camber measuring	1	
(This gauge allows you to correctly set up your suspension to get the best from your Mini where it excels).					
	21A1517	NCA	BUMP STOP, cone type	2	original
	21A1520	£10.20	BUMP STOP, flat type	2	alternative

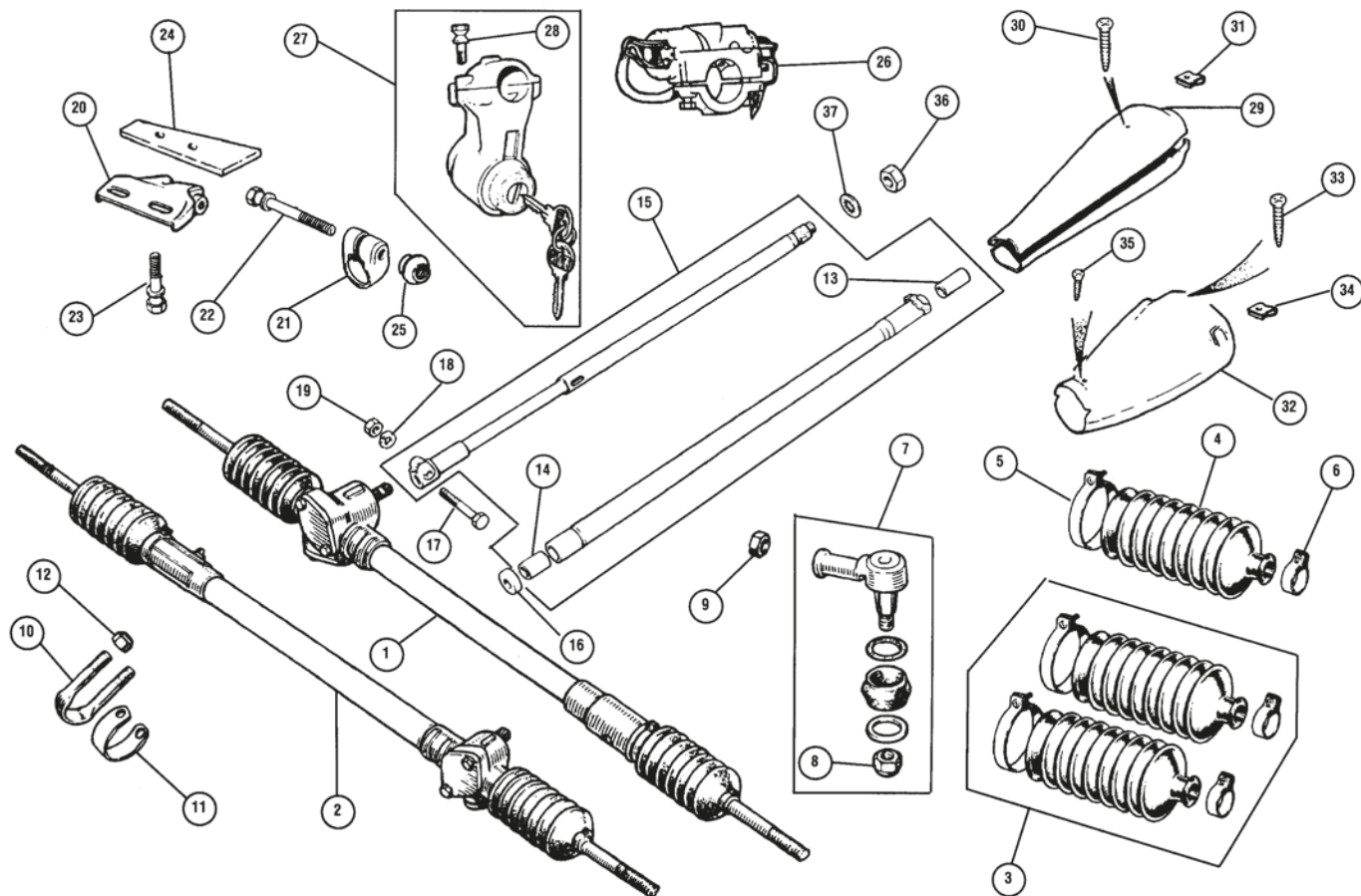


ill.	Part Number	Price £ea.	Description	Req.	Details
Drive Shafts and Flanges					
1	GCV1104	£127.30	DRIVE SHAFT, RH, no inner joint	1	drum brakes
	GCV1103	£127.30	DRIVE SHAFT, LH, no inner joint	1	To 1984
	GCV1100	NCA	DRIVE SHAFT, RH, no inner joint	1	disc brakes
	GCV1101	NCA	DRIVE SHAFT, LH, no inner joint	1	1984-On
2	GCV1105	£35.50	CV JOINT, outer	2	drum brake models
	GCV1013	£29.70	CV JOINT, outer	2	disc brake models
3	GDS1185	£13.90	GAITER KIT, heavy duty, OE	2	to fit GCV1105
	GDG233	NCA	GAITER KIT, standard duty, OE	2	
	GSV1053	NCA	GAITER KIT, heavy duty, OE	2	to fit GCV1013
	GDG202	£7.90	GAITER KIT, standard duty, OE	2	
4	GDG999	£2.00	GREASE, separate sachet, 50cc	a/r	
5	37H8706	£2.16	CIRCLIP, inner CV thick section	2	
6	17H8597	NCA	CIRCLIP, outer CV tin section	2	
7	27H7880Z	£142.20	HARDY SPICER JOINT, inner	2	auto and Cooper S
	GCV1102	£29.70	POT JOINT, inboard	2	
	GCD101	£32.50	COUPLING, drive shaft, rubber	2	early Mini
	QL5000	£77.90	COUPLING, nylon	1	upgrade to GCD101
	GUJ101	£8.90	COUPLING REPAIR KIT (Repair kit for Hardy Spicer, (27H7880Z).	2	auto and Cooper S
8	GSV1192	£1.80	GAITER	2	
	GSV1192Z	NCA	GAITER KIT	2	sliding joint to drive shaft
	21A963	NCA	GAITER, OE	2	
9	GSV1073	£10.50	GAITER KIT, heavy duty, OE	2	to fit GCV1102
	GSV1073	£10.50	GAITER KIT, standard duty, OE	2	
10	21A231	£37.20	DRIVE FLANGE	2	drum brakes
11	21A1270	£25.50	DRIVE FLANGE	2	7.5in disc brakes Cooper S
	21A2695	£33.30	DRIVE FLANGE	2	8.4in disc brakes disc
	NAM6450F	£42.70	DRIVE FLANGE	2	8.4in disc brakes vented
12	SF604061	£0.50	SCREW, drive flange to disc	8	7.5in disc brakes Cooper S
	BTA370	£1.36	BOLT, drive flange to disc	8	8.4in disc brakes disc
13	2A4295	£3.80	COLLAR, oil seal	2	drum brakes
14	FAM9270	£8.70	COLLAR, outer, tapered	2	disc brakes

ill.	Part Number	Price £ea.	Description	Req.	Details
15	2A7323	£3.20	WASHER, outer, plain	2	drum brakes
16	BTA249	£6.20	NUT, hub 1 5/16" AF	2	disc brakes
	21A79	£2.70	NUT, hub 1 1/8" AF	2	drum brakes
17	GHK1140	£25.80	HUB BEARING KIT, includes seals	2	disc brakes
	GHS1018	£22.80	HUB BEARING KIT, includes seals	2	drum brakes
18	GHS101	£1.75	OIL SEAL, outer	2	
	GHS173	£2.30	OIL SEAL, inner with shield	2	
19	2A4361	NCA	SPACER, 0.094" seal to bearing	2	disc brakes
	21A1307	NCA	SPACER, 0.229" seal to bearing	2	drum brakes
20	NAM5645	£2.70	STUD, 1.1875", 30mm, shaft length	8	disc brakes
	21A2064	£4.55	STUD, 1.375", 35mm, shaft length	8	drum brakes
21	88G322	£0.90	WHEEL NUT, round chamfer	8	standard 10" road wheels
	113087	£1.39	WHEEL NUT, 60° chamfer angle	2	standard 12" road wheels
	FAM5701	£9.05	WHEEL NUT, round chamfer*	16	10" with hub caps
	FAM3428	NCA	WHEEL NUT, 60° chamfer*	16	12" with hub caps
	RRD10009	£2.50	WHEEL NUT	16	Cooper 1300cc
22	FAM2563	NCA	WASHER, for wheel nut*	16	
23	GCD101	£32.50	DRIVE COUPLING, rubber	2	sold individually
	QL5000	£77.90	DRIVE COUPLING KIT (Nylon & roller bearing).	1	sold as a pair

*Note: If your car is fitted with wheel trims retained by the wheel nut, then you will require the wheel nuts marked with an asterisk. Care must be taken when ordering as 'radius' and 'chamfered' wheel nuts are not interchangeable!

Note: FAM9270 collar should be replaced whenever the hub nut BTA249 is removed! When re-installing the drive flange, collar and nut re-torque BTA249 without the collar but using a suitable sized flat washer then replace the flat washer with the tapered collar and re-torque.



Part Number	Price £ea.	Description	Req.	Details
Steering Rack				
RHD Steering Rack				
1 GSR371	£133.10	STEERING RACK	1	new
CAJJ1570	£119.50	STEERING RACK, quick rack	1	2.2 turns lock to lock
LHD Steering Rack				
2 GSR1163	£133.10	STEERING RACK	1	new
CAJJ1571	£122.60	STEERING RACK, quick rack	1	2.2 turns lock to lock
Gaiters All Models				
3 GSV1153	£6.20	GAITER KIT, for OE racks	1	2 boots and 4 metal clips
GSV1153	£6.20	GAITER KIT	1	2 boots and plastic ties
GRG205	NCA	GAITER KIT, for OE racks	1	2 boots and 4 plastic ties
GRG210Z	£15.00	GAITER KIT, aftermarket racks	1	2 boots and 4 plastic ties
4 17H6298	£3.25	GAITER, OE racks only	2	single, no clips
5 ADG1682	£2.18	CLIP, large	2	gaiter to rack casing
6 GGT1117X	£1.57	CLIP, small	2	gaiter to track rod
7 GSJ734	£14.00	TRACK ROD END	2	
GSJ734Z	£5.70	TRACK ROD END	2	
GSJ158	£7.30	TRACK ROD END	2	slightly longer in thread (Use when lowering car and or adding negative camber).
GSJ158Z	£6.76	TRACK ROD END, reproduction	2	
8 GHF223	£0.53	NUT, nyloc, imperial	2	track rod end
NY210041	£1.70	NUT, nyloc, metric	2	to steering arm.
9 FNZ208	£0.77	LOCK NUT, track rod end to track rod	2	
10 2A6208	£8.20	U BOLT, rack mounting to body	2	
11 21A2553	£1.26	PACKING PIECE, nylon strip	2	
12 GHF222	£0.55	NUT, nyloc	4	

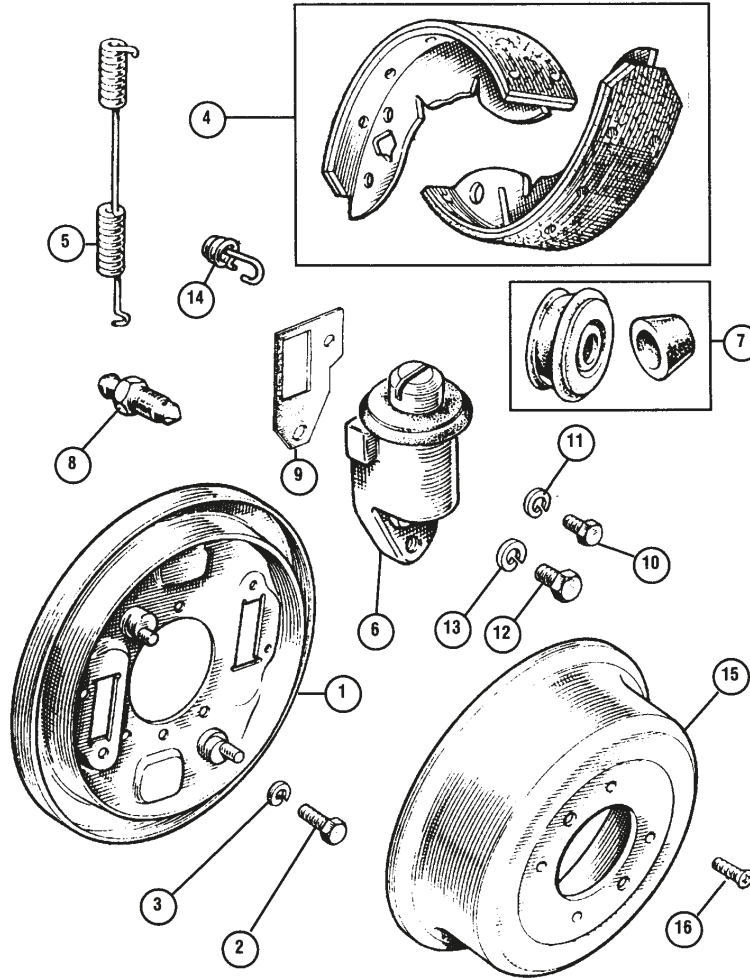
Note: Due to Rover changing sources on the track rod ends, the pin thread can vary. Please check before ordering, nuts with imperial threads use a 9/16" AF spanner.

Part Number	Price £ea.	Description	Req.	Details
13 GSV1095	£3.05	BUSH, column top	1	
14 GSV1127	£6.20	BUSH, column lower, felt	1	To VIN380107
NAM8563	£4.75	BUSH, column lower	1	From VIN380108 On
NAM8563SP	£7.80	BUSH, column lower, polyurethane	1	alternative
15 NAM8527	NCA	COLUMN	1	fits all models To 1996
QMB101550PMA	£408.10	COLUMN ASSEMBLY	1	MPI 1996-On
16 21A30	£1.60	SEAL, rack to body	1	
17 BH604111	£0.72	BOLT, pinching clamp	1	
18 GHF331	£0.38	WASHER, spring	1	
19 GHF200	£0.22	NUT	1	
20 21A2463	NCA	BRACKET, clamp to body	1	
GAC8426X	£3.80	DROP BRACKET, steering column	1	
21 21A2666	£4.85	CLAMP, column to bracket	1	
22 51K4006	£5.30	SHEARBOLT, column clamp	1	2.69" long
23 51K4002	£5.40	SHEARBOLT, bracket to body	2	1.45" long
24 21A2464	£10.20	NUT PLATE, bracket to body	1	
25 21H295	£7.06	NUT, column clamp	1	
26 18G8892	NCA	LOCK, steering, key in side	1	To 1976
27 BHM7107	£44.30	LOCK, steering, key facing driver	1	1976-On
BHM7252	NCA	LOCK, steering, key facing driver	1	Mini 25
QR100750	£71.10	LOCK, steering, key in side	1	MPI 1996-On
28 51K4001	£2.40	SHEARBOLT, steering lock	2	
29 18G8803	NCA	COWLING	1	
30 13H3737	NCA	SCREW, cowl to column	4	To 1976
31 GHF711	£0.28	SPIRE CLIP, on column	4	
32 BHM7085	£50.80	COWLING, twin stalks, black	1	
33 AD606083	£1.26	SCREW, cowl to column	3	1976-On
34 GHF711	£0.28	CLIP, on column	2	
35 AC606051	£0.36	SCREW, cowling, (twin stalks)	1	
36 ACH6001	£5.40	NUT, steering wheel retaining	1	1 5/16" AF
QYH10007	£11.70	NUT, steering wheel retaining	1	1" AF
37 6K900	£1.04	WASHER, shakeproof	1	use with ACH6001
QYF10005	NCA	WASHER, shakeproof	1	use with QYH10007

Steering Column

Note: See accessories section for our full range of steering wheels.

21A2252	NCA	HORN PUSH, centre	1	Mini motif MkII and MkIII
---------	-----	-------------------	---	---------------------------



ill. Part Number Price £ea. Description Req. Details

Front Brakes

Drum Brake Twin Leading Shoe (10" Wheels)

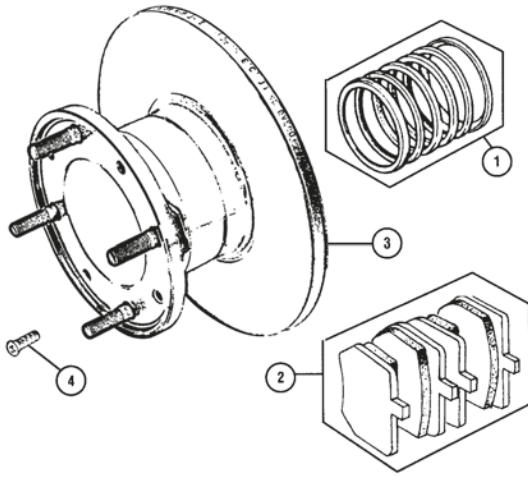
ill.	Part Number	Price £ea.	Description	Req.	Details
1	37H2013	£43.00	BACK PLATE, RH	1	
	37H2014	£43.00	BACK PLATE, LH	1	
2	SH605051	£1.00	BOLT, backplate to hub	6	
3	GHF332	£0.40	WASHER, locking	6	
4	GBS733AF	£13.50	BRAKE SHOES, set of four	1	asbestos free
5	AAU8243	£1.90	SPRING, brake shoe return	4	
6	GWC102	NCA	WHEEL CYL., RH, 0.8125 bore size	2	Mkl only, early back plate
	GWC102Z	£14.30	WHEEL CYL., RH, 0.8125 bore size	2	Mkl only, early back plate
	GWC103Z	£14.30	WHEEL CYL., LH, 0.8125 bore size	2	Mkl only, early back plate
	GWC126	£13.40	WHEEL CYL., RH, 0.9375 bore size	2	
	GWC126Z	£8.10	WHEEL CYL., RH, 0.9375 bore size	2	

ill. Part Number Price £ea. Description Req. Details

GWC127	£13.40	WHEEL CYL., LH, 0.9375 bore size	2
GWC127Z	£8.10	WHEEL CYL., LH, 0.9375 bore size	2

Note: When replacing the wheel cylinders you will probably need to replace the bolts (items 10 and 12).

7	GRK2002	£5.50	REPAIR KIT, wheel cylinder	4
	GRK2002Z	£4.06	REPAIR KIT, wheel cylinder	4
8	3H2428	£1.10	BLEED NIPPLE	4
9	37H3833	£0.77	GASKET, w/cylinder to back plate	4
10	7H7520	£3.10	BOLT, w/cyl. to back plate, (small)	4
11	GHF331	£0.38	WASHER, spring	4
12	SH605051	£1.00	BOLT, w/cyl. to back plate, (large)	4
13	GHF332	£0.40	WASHER, spring	4
14	27H3753	£7.00	SPRING, retaining, shoe to cylinder	4
15	GDB105Z	£12.30	BRAKE DRUM	2
16	CMZ407	£0.80	SCREW, brake drum retaining	4



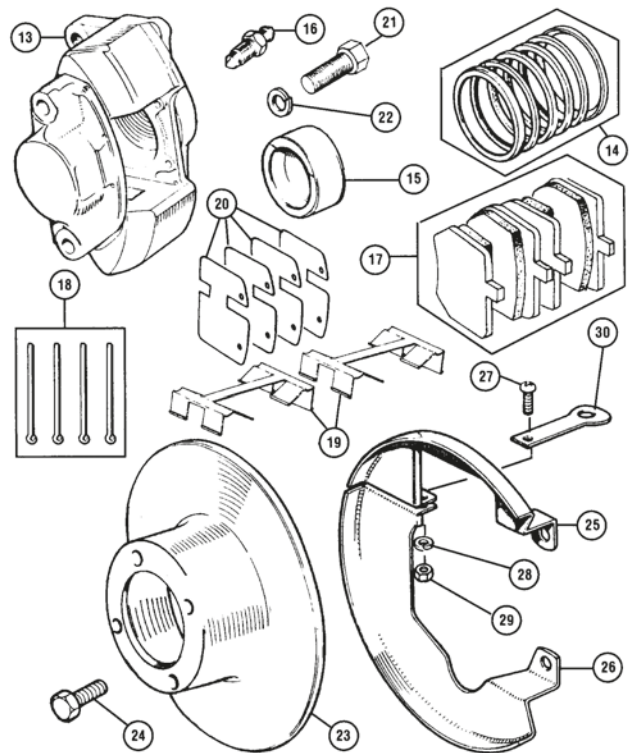
iii. Part Number Price £ea. Description Req. Details

Brakes

Front Disc Brakes 7.0" (10" wheels)

Note: Calipers for 7.0" disc brake model's are not available.

Part Number	Price £ea.	Description	Req.	Details
1 GRK5009Z	£3.90	SEAL KIT, per caliper	2	
2 GBP102KV	£17.90	PAD SET, EBC Ultimax	1	road
GBP102G	£36.00	PAD SET, EBC Greenstuff	1	road/fast road
GBP102Y	£59.60	PAD SET, EBC Yellowstuff	1	fast road/track
3 BTA193	£66.30	DISC	2	
4 CMZ407	£0.80	SCREW, disc to drive flange	8	



iii. Part Number Price £ea. Description Req. Details

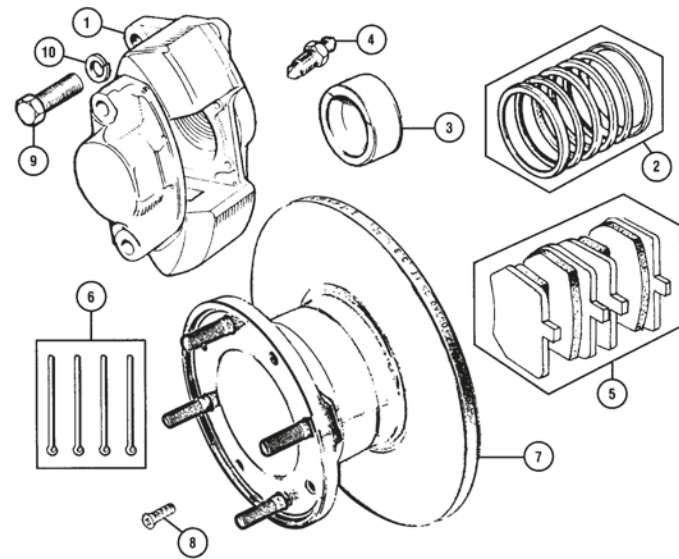
Front Disc Brakes 1984-On (12" Wheels)

Part Number	Price £ea.	Description	Req.	Details
13 GBC141	£61.20	CALIPER, RH, new	1	
GBC138	£61.20	CALIPER, LH, new	1	
14 GRK5008	£11.00	SEAL KIT, per caliper	2	
15 17H7960	£12.70	PISTON, caliper	4	
16 3H2428	£1.10	BLEED NIPPLE	2	
17 GBP281	£15.70	PAD SET	1	
GBP281CM	£24.60	PAD SET, EBC Ultimax	1	road
STR505G	£38.40	PAD SET, EBC Greenstuff	1	road/fast road
STR505Y	£84.30	PAD SET, EBC Yellowstuff	1	fast road/track
STR5051	£48.00	PAD SET, M1144	1	fast road/track
18 GBK1010	£0.95	SPLIT PIN, car set	1	
19 17H7963	£1.70	SPRING CLIP, anti rattle	2	
17H7963X	£2.05	SPRING CLIP, anti rattle	2	
20 17H2460	£1.56	SHIM, anti squeal	4	
21 53K1048	£0.98	BOLT, caliper to hub	4	
22 GHF333	£0.30	WASHER, spring	4	
23 GBD90806	£11.70	DISC	2	
GBD90806DG	£50.00	DISC, drilled & grooved, pair	1	
24 BTA370	£1.36	BOLT, disc to drive flange	8	
25 21A2613	NCA	BACK PLATE, RH top	1	
21A2613Z	£14.40	BACK PLATE, RH top, aftermarket	1	
21A2617	£21.60	BACK PLATE, LH top	1	
21A2617Z	£14.40	BACK PLATE, LH top, aftermarket	1	
26 21A2614	£24.00	BACK PLATE, RH lower	1	
21A2614Z	£14.40	BACK PLATE, RH lower, aftermarket	1	
21A2618	NCA	BACK PLATE, LH lower	1	
21A2618Z	£14.40	BACK PLATE, LH lower, aftermarket	1	
27 PMZ308	£0.30	SCREW, backplate	4	
28 WL700101	£0.25	WASHER, locking	4	
29 GHF206	£0.16	NUT	4	
30 BTA1208	£4.50	BRACKET, back plate, RH	1	
BTA1209	£4.50	BRACKET, back plate, LH	1	
17H7679	£0.47	SEAL, caliper bridge	2	seal not shown

Warning: Do not split the caliper into two halves unless absolutely necessary.

Front Disc Brake Parts - 4 Pots

GBD496	£25.00	BRAKE DISC, vented, each	2	
GBP258	£25.96	PAD SET, standard	1	
GBP258KV	£30.10	PAD SET, EBC Ultimax	1	road
GBP258G	£47.00	PAD SET, EBC Greenstuff	1	road/fast road
GBP258Y	£74.80	PAD SET, EBC Yellowstuff	1	fast road/track
TMG309474	NCA	PAD SET, M1144	1	fast road/track
GRK5003	£10.50	SEAL KIT, brake caliper, '4 pots'	2	Metro/4 pot calipers
MT5402	£12.20	PISTON, caliper, stainless steel	8	Metro/4 pot calipers

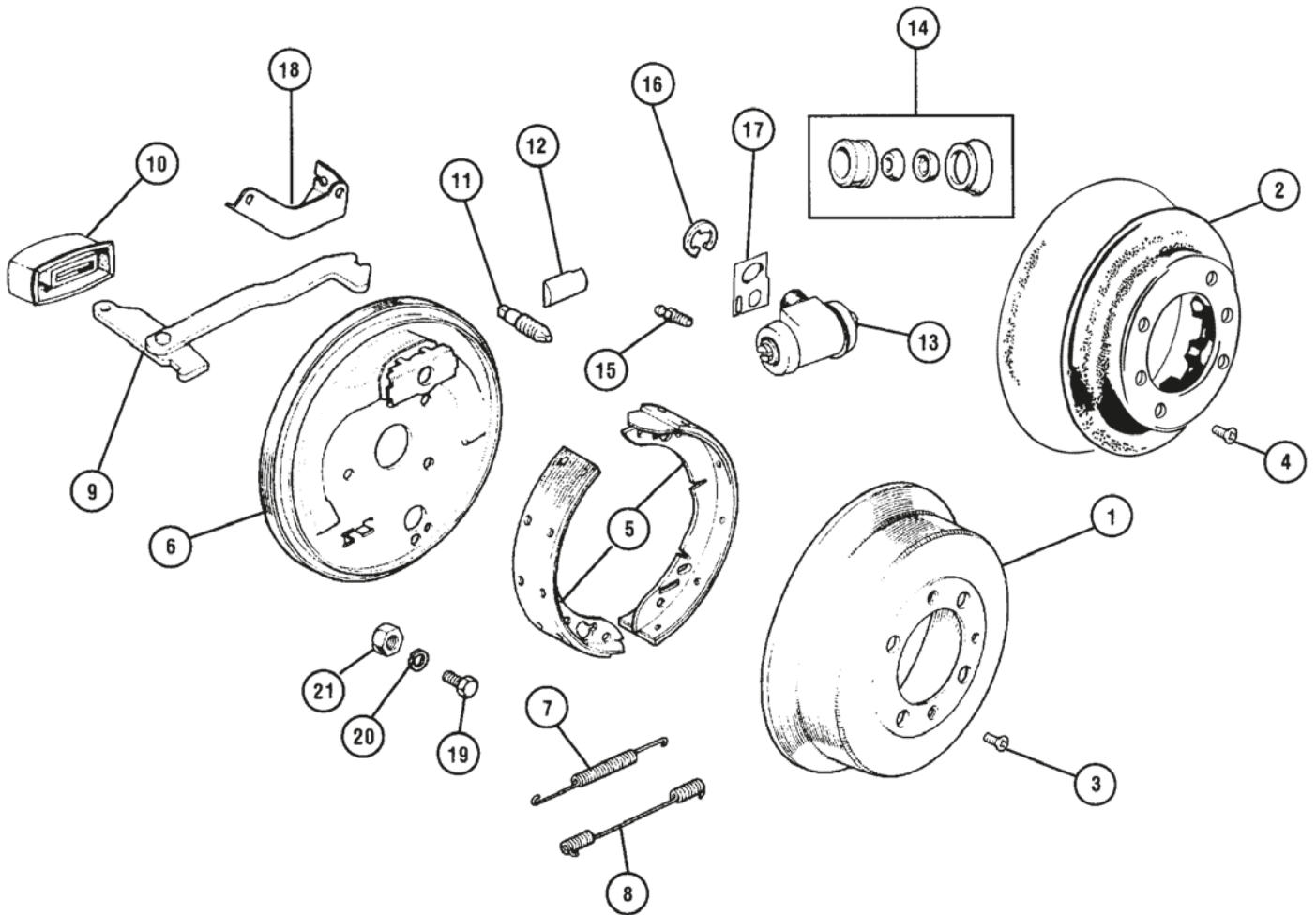


iii. Part Number Price £ea. Description Req. Details

Front Disc Brakes 7.5" (10" Wheels)

Part Number	Price £ea.	Description	Req.	Details
1 27H4656	£49.00	CALIPER, RH, original	1	1275GT & Cooper S
27H4657	£49.00	CALIPER, LH, original	1	
27H4656/7	£87.00	Caliper, pair, aftermarket	1	
2 GRK5006	£6.50	SEAL KIT, per caliper	2	
GRK5006Z	£5.30	SEAL KIT, per caliper, aftermarket	2	
3 17H8626SS	£9.30	PISTON, caliper, stainless steel	4	
4 3H2428	£1.10	BLEED NIPPLE	2	
5 GBP103AF	£19.40	BRAKE PAD SET, front, standard	1	
GBP103KV	£18.40	BRAKE PAD SET, front, EBC Ultimax	1	road
GBP103G	£40.00	BRAKE PAD SET, front, EBC Greenstuff	1	road/fast road
GBP103Y	£77.15	BRAKE PAD SET, front, EBC Yellowstuff	1	fast road/track
6 TMG307521	£2.05	SPLIT PIN	4	
7 GBD101	£20.40	BRAKE DISC, 7.5" diameter	2	
8 SF604061	£0.50	SCREW, disc to drive flange	8	
9 53K1048	£0.98	BOLT, caliper to hub	4	
10 GHF333	£0.30	WASHER, locking	4	

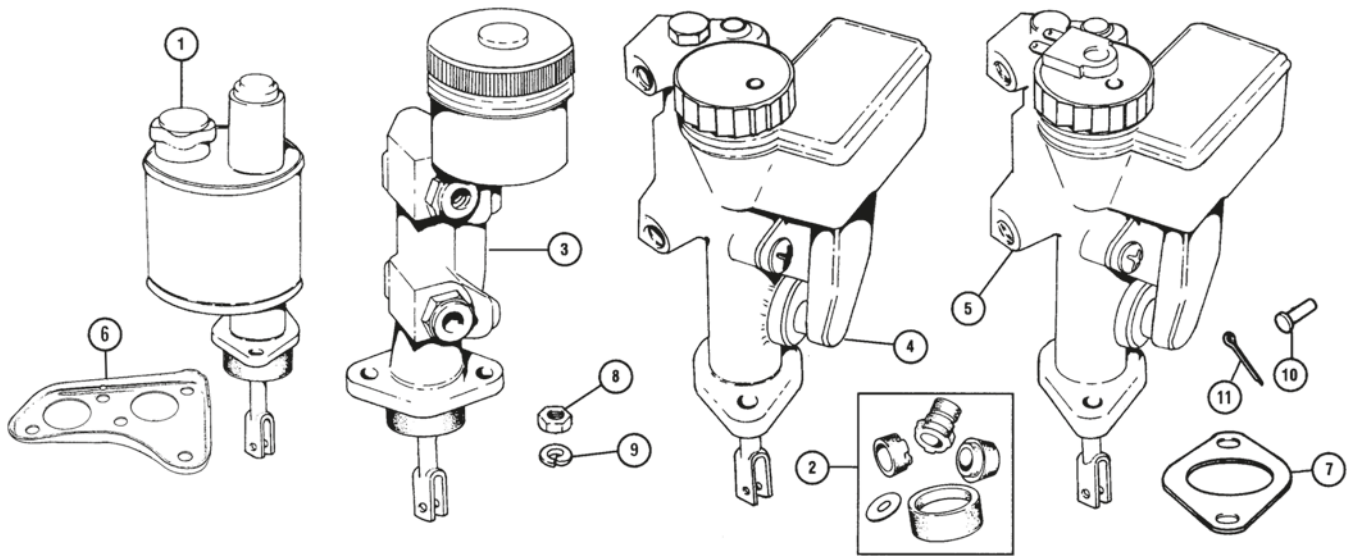
Warning: Do not split the caliper into two halves unless absolutely necessary.



ill.	Part Number	Price £ea.	Description	Req.	Details
Rear Brakes					
1	GDB105Z	£12.30	BRAKE DRUM	2	10" wheels To 1984
2	GDB106Z	NCA	BRAKE DRUM, with spacer	2	12" wheels 1984-On
	MT1210	£86.00	BRAKE DRUM, with spacer	1	alloy superfins
3	CMZ407	£0.80	SCREW, brake drum	4	To fit GDB105Z
4	SF604121	£0.73	SCREW, brake drum	4	To fit GDB106Z
5	GBS834AF	£17.00	BRAKE SHOES, car set of 4 shoes	1	
6	21A1058	£38.70	BACK PLATE, RH	1	
	21A1060	£38.70	BACK PLATE, LH	1	
7	17H7621	£2.66	SPRING, lower shoe return	2	
8	17H8092	£2.50	SPRING, upper shoe return	2	
9	SMN10005	£22.45	LEVERS, handbrake operating, pair	1	set of 2
10	17H8057	£2.60	DUST SEAL, lever aperture	2	
11	17H7619	£5.30	ADJUSTER WEDGE	2	
12	17H7618	£5.00	ADJUSTER TAPPETS	4	
	17H7620	£8.50	ADJUSTER KIT, per side	2	includes tappets and adjusters
13	GWC1126	£19.20	WHEEL CYLINDER, OE diagonal sys.	2	
	GWC1126Z	£9.90	WHEEL CYLINDER, diagonal system	2	not UK 1976-77
	GWC1131	£18.70	WHEEL CYLINDER, OE diagonal sys.	2	not UK 1976-77

Note: Only one type of back plate is now available. When replacing a back plate, you may need to drill a new hole for the wheel cylinder locating roll pin.

ill.	Part Number	Price £ea.	Description	Req.	Details
	GWC1131Z	£12.20	WHEEL CYLINDER, diagonal system	2	not UK 1976-77
	GWC1101	£15.00	WHEEL CYLINDER, OE	2	To 1967
	GWC1101Z	£11.10	WHEEL CYLINDER	2	To 1967
	GWC1102	£10.00	WHEEL CYLINDER, OE	2	1967-On
	GWC1102Z	£7.20	WHEEL CYLINDER	2	1967-On
	GWC1134	NCA	WHEEL CYLINDER, OE (Japan/Norway).	2	no locating pin
14	BHM7015	NCA	REPAIR KIT, wheel cylinder	2	To fit GWC1126
	GRK2003	NCA	REPAIR KIT, wheel cylinder	2	To fit GWC1131
	GRK2014	£6.50	REPAIR KIT, wheel cylinder	2	To fit GWC1102
	GRK2014Z	£6.40	REPAIR KIT, wheel cylinder, aftermarket	2	To fit GWC1102
	8G8801Z	£9.00	REPAIR KIT, wheel cylinder	2	To fit GWC1101
	18G9071Z	£3.35	REPAIR KIT, wheel cylinder	2	To fit GWC1134
15	513118A	£1.70	BLEED NIPPLE	2	All except GWC1131
	3H2428	£1.10	BLEED NIPPLE	2	To fit GWC1131 only
16	17H7949	£0.68	CIRCLIP, w/cylinder retaining	2	
17	37H4642	£1.10	GASKET, w/cylinder to back plate	2	
18	21A1669	£16.40	BRACKET, RH, handbrake cable	1	
	21A1670	£16.40	BRACKET, LH, handbrake cable	1	
19	GHF103	£0.60	SCREW, back plate to radius arm	6	
20	GHF332	£0.40	WASHER, locking	6	
21	GHF201	£0.14	NUT	6	



TYPE A

TYPE B & C

TYPE D

TYPE E

ill. Part Number Price £ea. Description Req. Details

Brake Master Cylinders

Type A: Single Line System

1	GMC153	NCA	MASTER CYLINDER, brake, 0.75" bore (Aftermarket with plastic reservoir).	1	drum brakes 1959-62; Coopers with servo 1961-62
	GMC171	£86.00	MASTER CYLINDER, brake, 0.7" bore (Original type with round metal 60mm high reservoir. Use DOT4/5 fluid only).	1	drum brakes 1962-75; replacement for original GMC105
	GMC171Z	£56.40	MASTER CYLINDER, brake, 0.7" bore (Aftermarket with plastic reservoir).	1	Coopers without servo
	GMC172	£86.00	MASTER CYLINDER, brake, 0.7" bore (Original type with round metal 75mm high reservoir. Use DOT4/5 fluid only).	1	disc brake Coopers & 1275GT 1963-75
2	GRK1026	£8.40	REPAIR KIT, 0.75" bore master cyl. (With one end cap seal one ring seal on piston).	1	GMC153 type

Note: Before ordering a seal kit for a 0.7" master cylinder, please check which type of piston seals are used in your master cylinder. The master cylinder manufacturer changed the specification of the piston seals; early pistons used one cap seal (located on the end of the piston) & one ring seal. Later master cylinders have two ring seals.

	GRK1028	£17.30	REPAIR KIT, 0.7" bore master cyl. (With one end cap seal one ring seal on piston).	1	for 0.7" bore cylinders GMC171 and GMC172 type
	GRK1028Z	£6.30	REPAIR KIT, 0.7" bore master cyl. (Aftermarket, with one end cap seal one ring seal on piston).	1	
	GRK1006Z	£3.80	REPAIR KIT, 0.7" bore master cyl. (With two ring seals).	1	
	513123A	£3.85	CAP	1	all cylinders

Type B: Front To Rear Split System

3	GMC159	NCA	BRAKE MASTER CYLINDER	1	round plastic reservoir
2	GRK1019	NCA	REPAIR KIT	1	
	GRK1019Z	£30.30	REPAIR KIT	1	
	AAU3815	£10.00	CAP	1	

Type C: Diagonal Split System

3	GMC160	NCA	BRAKE MASTER CYLINDER	1	round plastic reservoir
2	GRK1019	NCA	REPAIR KIT	1	
	GRK1019Z	£30.30	REPAIR KIT	1	
	AAU3815	£10.00	CAP	1	

ill. Part Number Price £ea. Description Req. Details

Type D: Diagonal Split System

4	GMC167	NCA	BRAKE MASTER CYLINDER	1	square plastic reservoir
2	GRK1002	£38.00	REPAIR KIT	1	
	GRK1002Z	£9.60	REPAIR KIT, aftermarket	1	
	GRK907014	NCA	CAP	1	

Type E: Front To Rear Split System

5	GMC227	£70.50	BRAKE MASTER CYLINDER	1	square plastic reservoir
2	GRK1035	£31.50	REPAIR KIT	1	
	AEU1796	NCA	CAP, with failure switch	1	

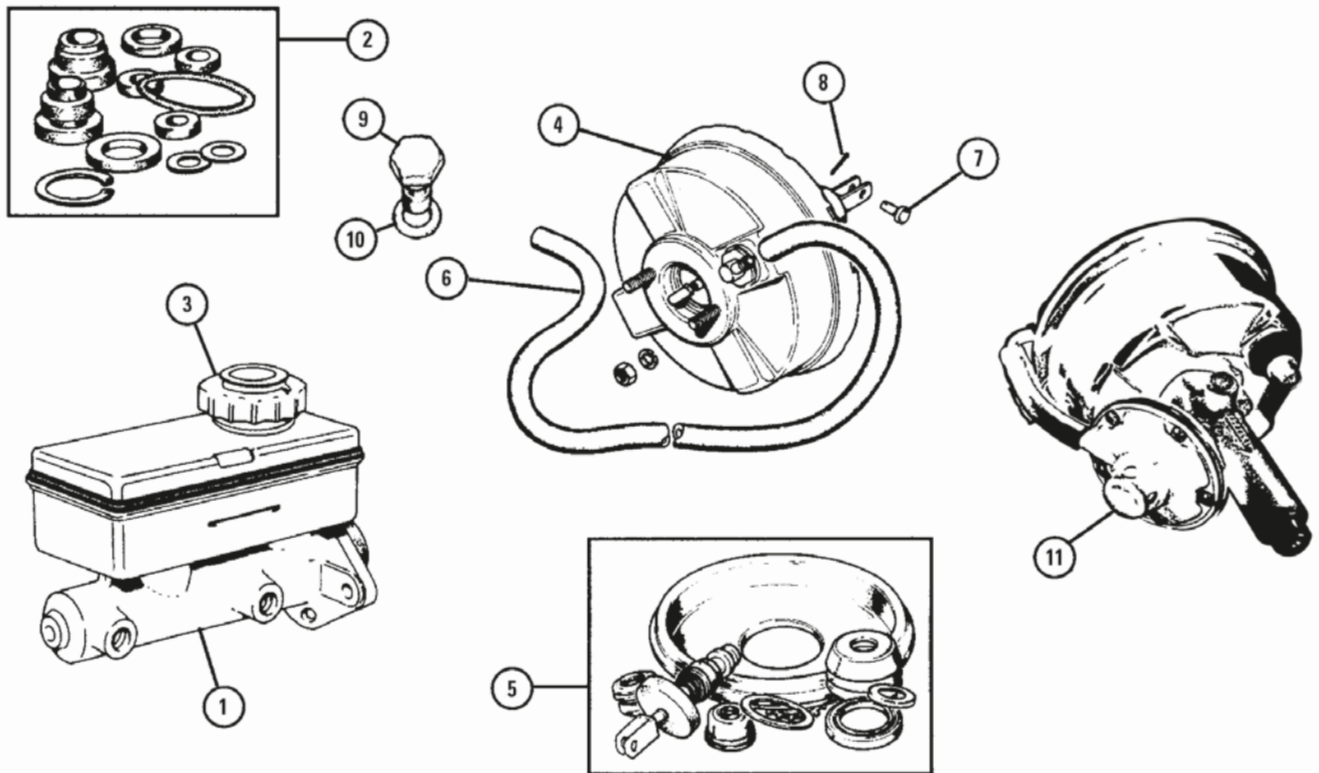
Note: Between 1980 and 1985 the Mini had 4 different types of master cylinder fitted, these being part numbered GMC173 and GMC198 having a pressure failure switch fitted to the body of the cylinder and GMC192 and GMC195 with a fluid level switch fitted to the cap, all these cylinders are superseded by GMC227.

As the cylinder is manufactured with metric fittings the conversion pipes must be used in conjunction with GMC227 when replacing an original master cylinder. Although it is possible to rebuild the original master cylinder with a repair kit.

BAU5654	£52.80	PIPE CONVERSION KIT	1	RHD
BAU5655	£26.10	PIPE CONVERSION KIT	1	LHD

All Models

6	14A6733	£13.20	BRACKET, engine stabiliser	1	fitted under brake and clutch master cylinders
7	31G279	£2.05	GASKET, single line master cylinder	1	
	31G840	£2.20	GASKET, dual master cylinder	1	
8	FNZ505	£0.72	NUT, master cylinder to bracket	2	
9	GHF332	£0.40	WASHER, locking	2	
10	CLZ512	£1.80	CLEVIS PIN, pedal to push rod	1	
11	GHF502	£0.22	SPLIT PIN	1	



ill. Part Number Price £ea. Description Req. Details

Front To Rear Split System With Direct Acting Servo

1 GMC90376 £69.00 BRAKE MASTER CYLINDER* 1 metric fittings 1989-On

*Note: The early direct acting brake master cylinder is no longer available, it has been superseded by the later version GMC90736, which has metric threads. Please check your pipe work carefully before fitting. A rebuild kit is available for GMC242, see GRK1032 below.

2	GRK1032	£18.00	REPAIR KIT	1	
	GRK1032Z	£14.40	REPAIR KIT, aftermarket	1	
3	GRK6009	£15.00	CAP, with float switch	1	
4	GSM119	£130.50	SERVO UNIT (Direct-acting attached to master cylinder).	1	1989-On
5	GSM120	N/A	REPAIR KIT	1	
6	NAM8568	N/A	VACUUM HOSE, with return valve	1	
7	NAM8540	N/A	CLEVIS PIN, bell crank	2	
8	511032	£0.98	SPLIT PIN	1	
9	2A715	£22.40	BANJO BOLT, brake servo	1	

ill. Part Number Price £ea. Description Req. Details

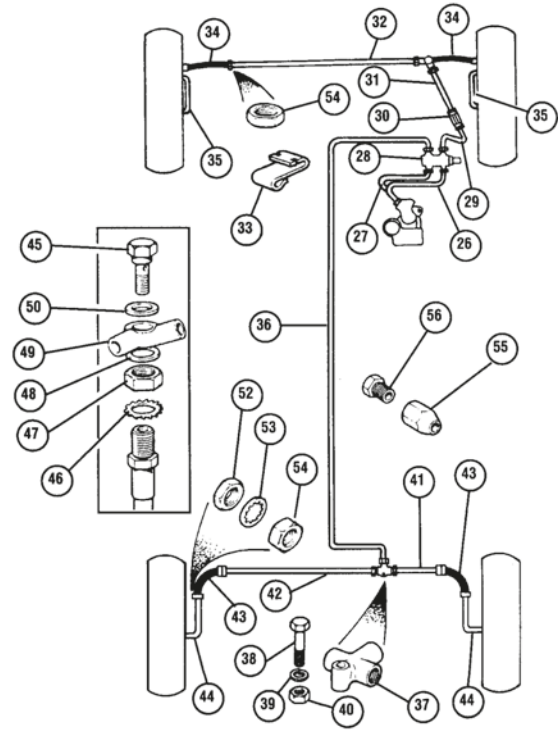
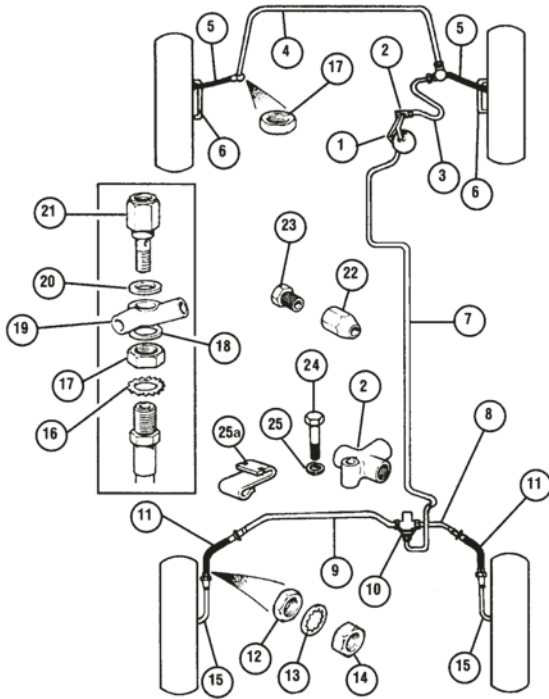
ADP210	£6.60	PLUG, manifold blanking	1	} if servo take-off not required
10 AED172	£1.21	WASHER	a/r	

Remote Servo Kit

Note: This servo kit fits all single line brake systems.

11 TT3949	£208.06	SERVO KIT, remote	1	lockheed
TT3949Z	£97.50	SERVO KIT, remote	1	aftermarket
18G8938	£60.00	REPAIR KIT, servo	1	for TT3949

Note: As MkIII S TT3949 can be used as conversion on Minis, comes as complete kit. Fitting a remote servo means less effort required when braking.



iii. Part Number Price £ea. Description Req. Details

Brake Pipes

Brake Pipes For Single Line Brakes (Drum Brakes)

1	GPP14AA	£13.30	BRAKE PIPE	1	master cylinder to 3 way union
2	3H2424	£9.30	CONNECTOR, 3 way	1	
3	GPP18AA	£15.30	BRAKE PIPE, 3 way	1	union to banjo connector
4	GPP46AA	£15.30	BRAKE PIPE	1	banjo connects to LH front hose
5	GBH170	£6.60	BRAKE HOSE, front, flexible	2	
	GBH170Z	£5.70	BRAKE HOSE, front, flexible	2	aftermarket
	GBL802121	£62.20	BRAKE HOSES, 4, stainless steel	1	front and rear
	GBL801120	£64.80	BRAKE HOSES, 5, stainless steel (Includes GBL808121 clutch hose).	1	front and rear
	GBL801121	£77.90	BRAKE HOSES, 5, stainless steel (Includes GBL808122 clutch hose).	1	front and rear
	233220A	£0.89	WASHER, copper, brake to cylinder	2	
6	GPP10AA	£13.00	BRAKE PIPE, front hub bridge pipe	2	
7	GPP102AA	£21.40	BRAKE PIPE	1	3 way union to regulator valve
8	GPP6AC	£10.00	BRAKE PIPE	1	regulator valve to RH rear hose
9	GPP26AC	£14.90	BRAKE PIPE	1	regulator valve to LH rear hose
10	21A2031	NCA	REGULATOR VALVE	1	mounted on rear subframe
11	GBH250	£5.75	BRAKE HOSE, rear, flexible	2	
	GBH250Z	£3.80	BRAKE HOSE, rear, flexible	2	aftermarket
	GBL804120	£32.80	BRAKE HOSES, rear, stainless steel	1	pair
	GBL804121	£49.10	BRAKE HOSES, rear, stainless steel (From subframe to wheel cylinder).	1	pair
12	NT606041	£0.60	NUT, locking, hose to radius arm	2	
13	GHF323	£0.22	WASHER, locking	2	
14	GHF202	£0.22	NUT	2	
15	GPP10AC	£13.00	BRAKE PIPE	2	rear brake hose to wheel cylinder
16	WE600101	£0.47	WASHER, locking	2	
17	21A228	£3.80	NUT, locking to subframe, RH/LH	1	
	2K8686	£1.40	NUT, locking to subframe, RH/LH	1	
18	3H550	£0.64	WASHER, copper	1	
19	11D5263	£29.20	UNION, 2 way banjo	1	
20	233220A	£0.89	WASHER, copper	3	
21	7H7995	£13.30	BOLT, banjo for brake light switch	1	
22	AEHU1A	£2.20	UNION, female UNF thread	a/r	
23	TM606031	£0.95	UNION, male UNF thread	a/r	
24	GHF101	£0.30	BOLT, 3 way connector to bulkhead	1	
25	GHF331	£0.38	WASHER	1	
25a	11K9181	£0.64	CLIP, pipe to subframe	a/r	

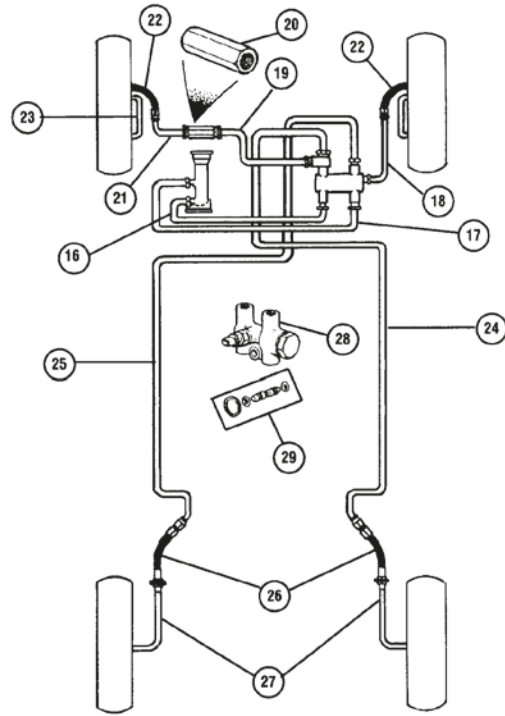
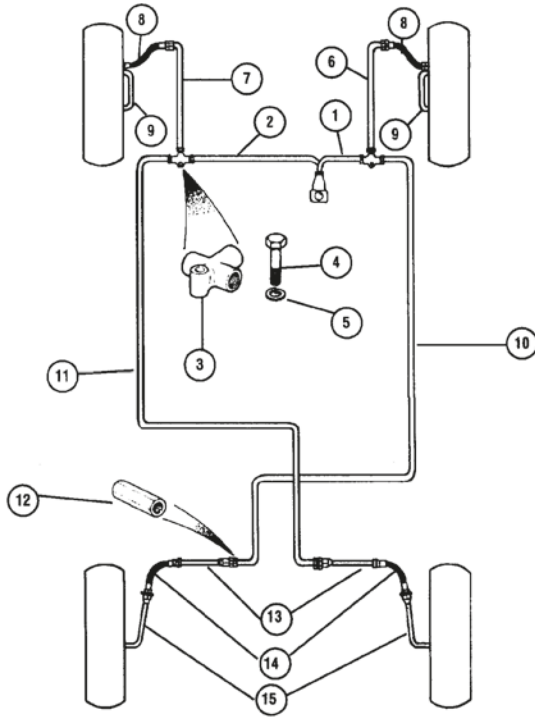
iii. Part Number Price £ea. Description Req. Details

Brake Pipes For Split System (Front To Rear)

Note: P.D.W.A. = (Pressure Differential Warning Actuator).

26	GPP13DD	£13.80	PIPE, m/cyl. to P.D.W.A., (tandem)*	1	long, RHD
	GPP30DD	£14.90	PIPE, m/cyl. to P.D.W.A.	1	long, LHD
27	GPP10DD	£13.00	PIPE, m/cyl. to P.D.W.A., (tandem)*	1	short, RHD
	GPP29DD	£14.90	PIPE, master cylinder to P.D.W.A.	1	short, LHD
28	13H5905	NCA	FAILURE SWITCH, 4 way, P.D.W.A.	1	To 1975, LHD
	FAM7821	£103.00	P.D.W.A.	1	All RHD and LHD 1975-On
29	GPP9DD	£11.10	BRAKE PIPE, P.D.W.A. to connector*	1	*in-line connectors
30	BMK2466A	£15.00	CONNECTOR, in-line	1	
31	GPP10AD	£13.00	BRAKE PIPE, connector to banjo	1	
32	GPP44AA	£15.40	BRAKE PIPE, banjo to LH front hose	1	
33	11K9181	£0.64	CLIP, pipe to subframe	2	
34	GBH170	£6.60	BRAKE HOSE, front	2	drum
	GBH170Z	£5.70	BRAKE HOSE, front	2	aftermarket
	GBH249	£6.35	BRAKE HOSE, front	2	disc
	GBH246	NCA	BRAKE HOSE, front, flexible	4	ERA turbo twin feed
	GBH246Z	£10.60	BRAKE HOSE, front, flexible	4	ERA turbo non genuine
	233220A	£0.89	WASHER, copper	2	brake hose to cylinder
35	GPP10AA	£13.00	BRAKE PIPE, front bridge pipe	2	
36	GPP97AD	£21.00	BRAKE PIPE	1	P.D.W.A. to rear T piece
37	3H2424	£9.30	T PIECE	1	
38	SH604091	£0.83	SCREW, T piece to rear subframe	1	
38	GHF331	£0.38	WASHER, locking	1	
40	GHF200	£0.22	NUT	1	
41	GPP6AC	£10.00	BRAKE PIPE	1	T piece to RH rear hose
42	GPP26AC	£14.90	BRAKE PIPE	1	T piece to LH rear hose
43	GBH250	£5.75	BRAKE HOSE, rear, flexible	2	
	GBH250Z	£3.80	BRAKE HOSE, rear, flexible	2	aftermarket
44	GPP10AC	£13.00	BRAKE PIPE, rear hose to w/cylinder	2	
45	C5192A	£6.76	BOLT, banjo	1	
46	WE600101	£0.47	WASHER, locking	2	
47	21A228	£3.80	NUT, locking to subframe	1	RH
	2K8686	£1.40	NUT, locking to subframe	1	RH/LH
48	3H550	£0.64	WASHER, copper	1	
49	11D5263	£29.20	UNION, 2 way banjo	1	
50	233220A	£0.89	WASHER, copper	3	
52	NT606041	£0.60	NUT, locking, hose to radius arm	2	
53	GHF323	£0.22	WASHER, locking	2	
54	GHF202	£0.22	NUT	2	
55	AEHU1A	£2.20	UNION, female UNF thread	a/r	
56	TM606031	£0.95	UNION, male UNF thread	a/r	

*Note: If replacing these pipes ensure the correct ones are used!



Part Number	Price £ea.	Description	Req.	Details
Brake Pipes for Diagonal Split System (RHD)				
1 GPP10AD	£13.00	BRAKE PIPE	1	master cylinder to RH 3 way union
2 GPP34AD	NCA	BRAKE PIPE	1	master cylinder to LH 3 way union
3 3H2424	£9.30	UNION, 3 way	2	
4 GHF101	£0.30	SCREW, 'T' piece to bulkhead	2	
5 GHF331	£0.38	WASHER, locking	2	
6 GPP18AA	£15.30	BRAKE PIPE	1	3 way union to RH front hose
7 GPP20AA	£12.80	BRAKE PIPE	1	3 way union to LH front hose
8 GBH170	£6.60	BRAKE HOSE, front	2	drum brakes
GBH170Z	£5.70	BRAKE HOSE, front, flexible	2	aftermarket
GBL802121	£62.20	BRAKE HOSES, 4, stainless steel	1	front and rear
GBL803120	£32.80	BRAKE HOSES, 2, stainless steel	1	front, pair
GBL801120	£64.80	BRAKE HOSES, 5, stainless steel (Inc: GBL808121 clutch hose).	1	front and rear
GBL801121	£77.90	BRAKE HOSES, 5, stainless steel (Includes GBL808122 clutch hose).	1	front and rear
9 GPP10AA	£13.00	BRAKE PIPE, wheel cyl. bridge pipe	2	
10 GPP122AD	NCA	BRAKE PIPE, RH	1	3 way union to LH rear connector
11 GPP118AD	NCA	BRAKE PIPE, LH	1	3 way union to RH rear connector
12 BMK2466A	£15.00	CONNECTOR, rear pipes	2	
13 GPP8CD	£9.10	BRAKE PIPE	2	rear connector to hose
14 GBH250	£5.75	BRAKE HOSE, rear	2	
GBH250Z	£3.80	BRAKE HOSE, rear, flexible	2	aftermarket
GBL804120	£32.80	BRAKE HOSES, rear, stainless steel	1	pair
GBL804121	£49.10	BRAKE HOSES, rear, stainless steel	1	pair, subframe to wheel cylinder
NT606041	£0.60	NUT, locking, hose to radius arm	2	
GHF323	£0.22	WASHER, locking	2	
GHF202	£0.22	NUT	2	
15 GPP10AC	£13.00	BRAKE PIPE	2	rear hose to wheel cylinder

Brake Pipes For Diagonal Split System (LHD)

Note: With failure switch (illustrated)

16 GPP10AA	£13.00	BRAKE PIPE, RHD	1	
GPP30TT	NCA	BRAKE PIPE, LHD	1	master cylinder to failure switch
17 GPP10AA	£13.00	BRAKE PIPE, RHD	1	
GPP32AA	£15.40	BRAKE PIPE, LHD	1	failure switch to RH front hose
18 GPP17AA	NCA	BRAKE PIPE	1	failure switch to connector
19 GPP29AA	NCA	BRAKE PIPE	1	
20 BCA4002	£3.60	CONNECTOR	1	
21 GPP17AA	NCA	BRAKE PIPE	1	connector to LH front hose

Part Number	Price £ea.	Description	Req.	Details
22 GBH170	£6.60	BRAKE HOSE, front	2	drum brakes
GBH170Z	£5.70	BRAKE HOSE, front, flexible	2	aftermarket
GBH249	£6.35	BRAKE HOSE, front	2	disc brakes
MT5103	NCA	BRAKE HOSES, 2, stainless steel	1	front, pair
GBL803120	£32.80	BRAKE HOSES, 4, stainless steel	1	front and rear
GBL801120	£64.80	BRAKE HOSES, 2, stainless steel	1	front, pair
GBL801120	£64.80	BRAKE HOSES, 5, stainless steel (Including GBL808121 clutch hose).	1	front and rear
GBL801121	£77.90	BRAKE HOSES, 5, stainless steel (Including GBL808122 clutch hose).	1	front and rear
23 GPP10AA	£13.00	BRAKE PIPE, wheel cylinder bridge	2	drum brakes only
24 GPP96CT	£16.90	BRAKE PIPE	1	failure switch to RH rear hose
25 GPP120CT	£24.40	BRAKE PIPE	1	failure switch to LH rear hose
26 GBH250	£5.75	BRAKE HOSE, rear	2	
GBH250Z	£3.80	BRAKE HOSE, rear, flexible	2	aftermarket
MT5101	NCA	BRAKE HOSES, rear, stainless steel	1	(pair)
MT5104	NCA	BRAKE HOSES, rear, stainless steel	1	(pair), subframe to wheel cylinder
27 GPP10CT	£13.00	BRAKE PIPE, rear hose to w/cylinder	2	
28 13H5905	NCA	FAILURE SWITCH	1	
29 BAU1704A	£11.00	REPAIR KIT, failure switch	1	

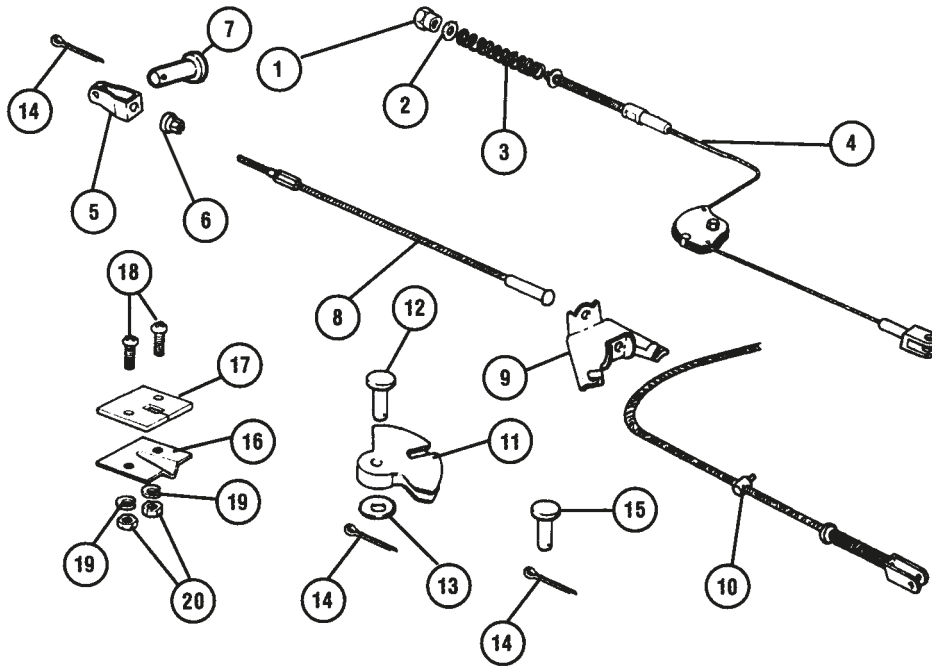
Brake and Clutch Fluids

When Did You Last Change Your Brake Fluid?

DOT3 fluid ought to be completely discarded, DOT4 ('GBF4') should be installed and replaced every 2 years, as recommended by manufacturers. An alternative, especially if you are replacing master cylinders, brake calipers and/or wheel cylinders, is to thoroughly flush out the pipes and install Silicone fluid (DOT5 'ABF'), which is 'Non-Hygroscopic', so it doesn't promote rust problems in the hydraulic system. The bonus is that it won't damage paint work. When silicone is in use it will provide years of trouble free braking and an end to the monotonous and expensive pastime of repairing or replacing worn or leaking hydraulic components. Racing Fluid (DOT5.1 'GBF5') really is the ultimate in brake fluid. Its anti-boil properties mean that even when the brakes get hot the fluid will remain efficient, rather than boiling locally (such as in the calipers) into useless vapour. Ideal on the race track or when the brakes are used to their limits. Due to its high 'Hygroscopic' nature, DOT5.1 Racing fluid should be replaced annually otherwise the quality and effectiveness will be drastically reduced.

GBF4102	£6.80	BRAKE/CLUTCH FLUID, DOT4	a/r	500ml
GBF4103	£12.50	BRAKE/CLUTCH FLUID, DOT4	a/r	1 litre
GBF4104	£48.50	BRAKE/CLUTCH FLUID, DOT4	a/r	5 litre
ABF3	£26.50	BRAKE/CLUTCH FLUID, DOT5	a/r	silicone, 500ml
ABF4	£46.40	BRAKE/CLUTCH FLUID, DOT5	a/r	silicone, 1 litre
GBF5102	£11.70	BRAKE/CLUTCH FLUID, DOT5.1	a/r	racing, 500ml
GBF5103	£15.95	BRAKE/CLUTCH FLUID, DOT5.1	a/r	racing, 1 litre

Note: When bleeding the Minis brake system always start with the cylinder furthest away from the master cylinder, so for a RHD car this would mean start with the passenger side rear then the drivers side, keep the car as high a possible on the cylinder you are bleeding! Always use axle stands when working under your car, they may be little but they are still quite heavy, Safety first.

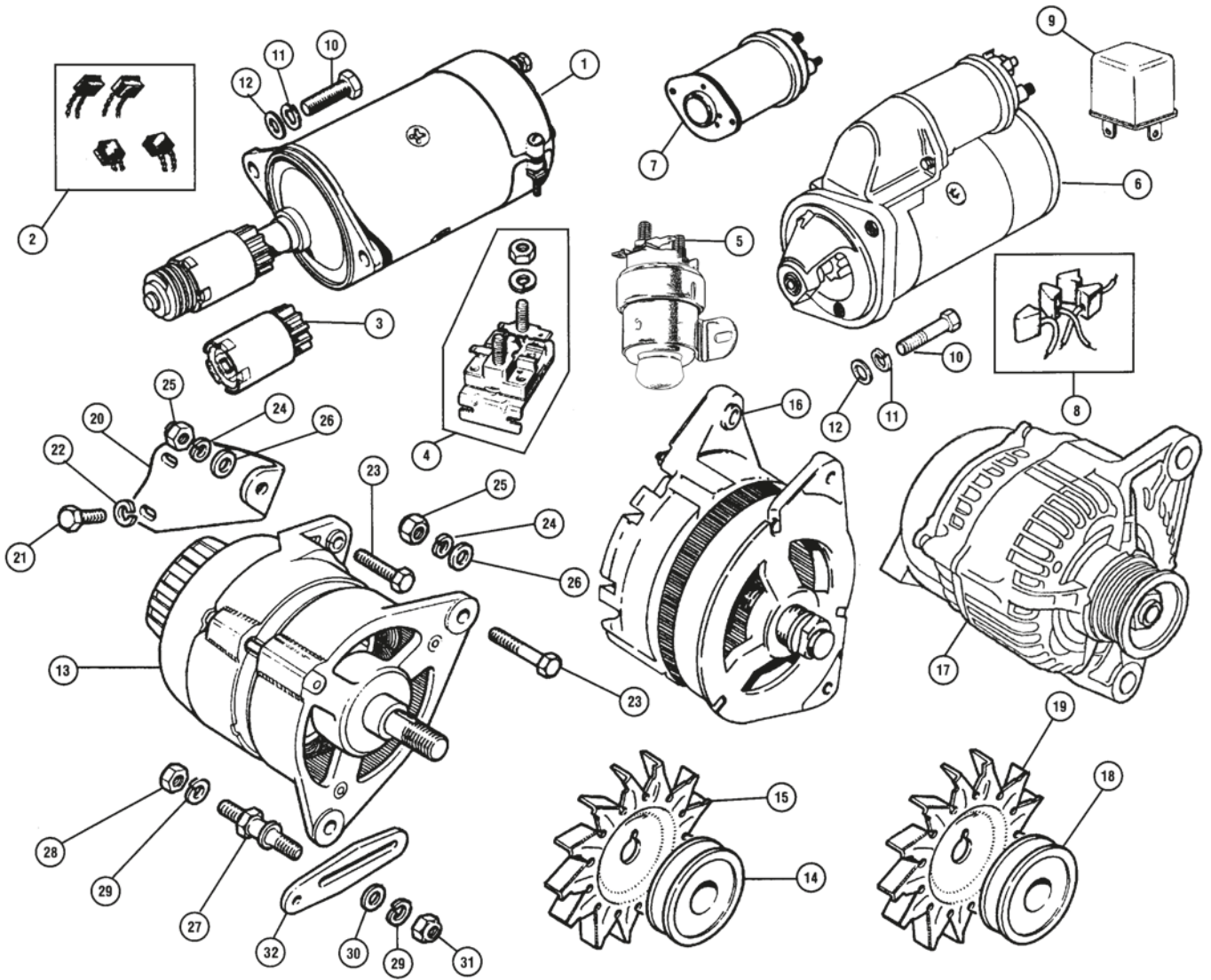


Part Number	Price £ea.	Description	Req.	Details
1	£3.10	NUT, cable adjusting*	1/2	
2	NCA	WASHER*	4	
3	£1.43	SPRING, adjuster tension*	1/2	
4	£5.60	CABLE, handbrake	2	twin cable system
GVC1021	£6.00	CABLE, handbrake (Dry suspension saloon).	2	twin cable system
GVC1020	£5.60	CABLE, handbrake (Hydrostatic suspension saloon).	2	twin cable system
5	£12.30	FORK, cable end	1	
6	£4.75	NUT, cable adjusting	1	
7	£0.73	CLEVIS PIN	1	fork to handbrake lever
8	£5.30	CABLE	1	lever to compensator
FAM625	£6.10	CABLE (Pickup, van or estate).	1	
9	£28.40	COMPENSATOR	1	
10	£11.30	CABLE	1	between wheels
11	£19.10	QUADRANT	2	
12	£4.80	CLEVIS PIN	2	
13	£0.47	WASHER, waved	2	
14	£0.22	SPLIT PIN	2	For CLZ549
GHF501	£0.47	SPLIT PIN	2	For CLZ409
15	£1.60	CLEVIS PIN	2	cablE to brake levers
16	£4.50	GUIDE, cable through floor*	1/2	
17	£3.30	SEAL, cable guide to floor*	1/2	
18	£0.66	SCREW, guide retaining*	2/4	
19	£0.25	WASHER, locking*	2/4	
20	£0.16	NUT*	2/4	

Part Number	Price £ea.	Description	Req.	Details
-------------	------------	-------------	------	---------

Handbrake Cables And Fittings

*Note: Quantity increased when twin cables fitted to early cars.

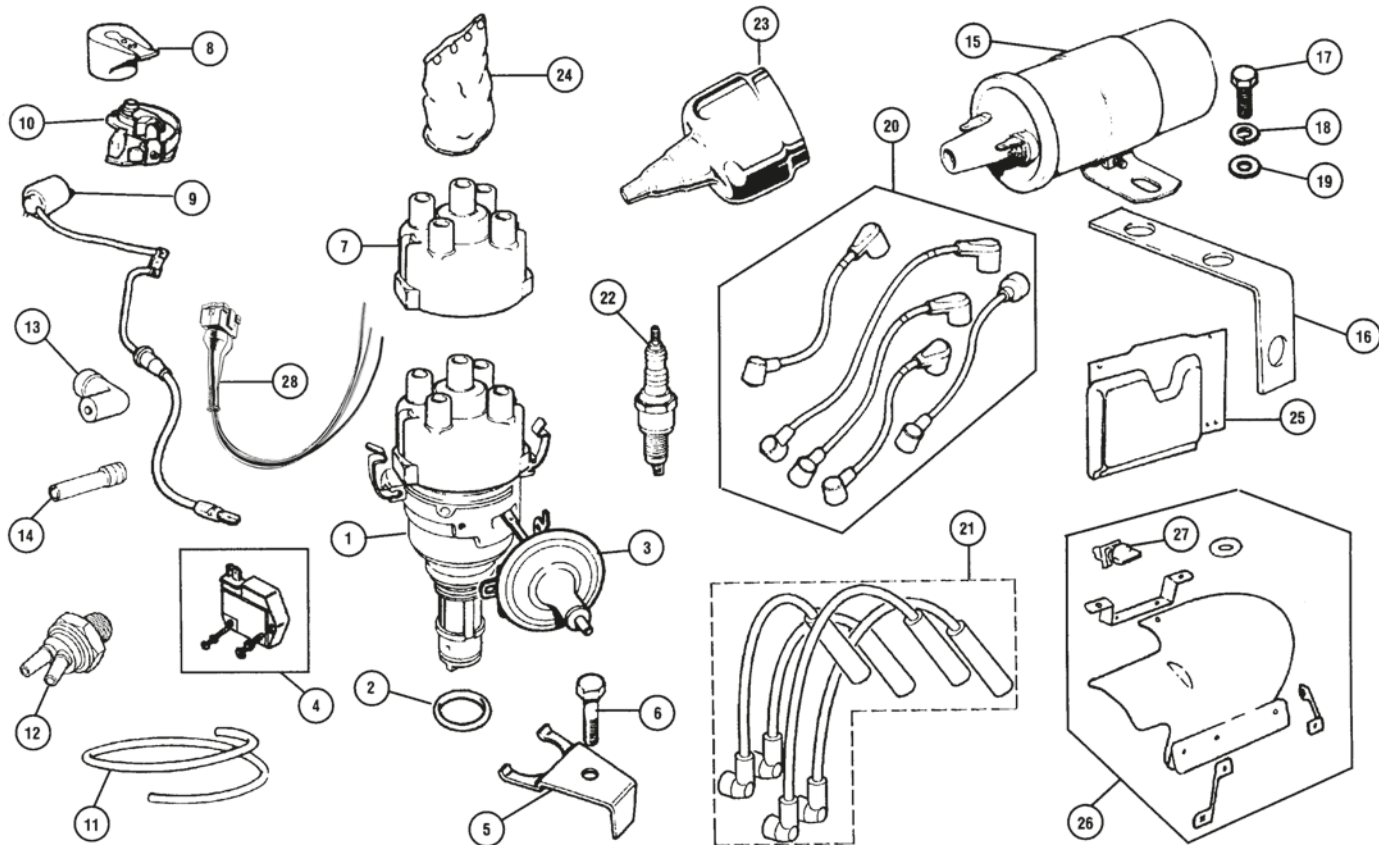


Part Number	Price £ea.	Description	Req.	Details
Starter Motors				
1	£91.80	STARTER MOTOR, inertia, new	1	To 1985
GXE4404X	£222.80	STARTER MOTOR, high torque (Replaces inertia type starter motors. See the accessories section for more information).	1	To 1985
2	£5.60	BRUSH SET, 35J type starter	1	
3	£23.95	PINION, 9 teeth	1	} alternatives
BAU5781	£25.50	PINION, 10 teeth	1	
4	£11.50	SOLENOID, inertia starter	1	
5	£31.80	SOLENOID, inertia starter early	1	round push button
6	£89.20	STARTER MOTOR, pre-engaged	1	1985-On
GXE4527X	£222.80	STARTER MOTOR, high torque (Replaces pre-engaged type starter motors. See the accessories section for more information).	1	pre-engaged type
7	NCA	SOLENOID, pre-engaged starter	1	
8	NCA	BRUSH SET, pre-engaged starter	1	
9	£4.75	RELAY, pre-engaged starter	1	
10	£0.98	SCREW, starter to housing	2	
11	£0.40	WASHER, locking	2	for both types
12	£1.00	WASHER, plain	2	starter motor

Alternators

13	£64.80	ALTERNATOR, 18 ACR, new	1	} alternatives
GXE8211	£60.90	ALTERNATOR, 17 ACR	1	
14	£4.75	PLUG, cable end	1	
12G1054	£18.80	PULLEY, 2.750" diameter	1	
BAU1461A	£19.00	PULLEY, 2.500" diameter	1	
15	£23.80	FAN, alternator	1	use with 12G1054 (ACR types: 23640, 23725, 23774, 23750, 23748 & 23804).
AAU3956A	£12.30	FAN, alternator	1	use with BAU1461 (ACR type: 23802).

Part Number	Price £ea.	Description	Req.	Details
16	£64.80	ALTERNATOR, A115/45, new	1	1981-85
17	£82.20	ALTERNATOR, A127/45, rebuilt	1	1985-On
18	£105.00	ALTERNATOR, multi groove belt	1	1996-On fitment MPI
BAU5819	£6.00	PULLEY, alternator, (A115/45)	1	use with GEU2206
ADU7778	NCA	PULLEY, alternator, (A127/45)	1	use with GXE2297
GCB10813	£5.95	ALTERNATOR BELT, (813mm long)	1	To 1985
GCB10838	£5.10	ALTERNATOR BELT, (838mm long)	1	A115 alternator, 1981-85
GCB10825	£5.60	ALTERNATOR BELT, (825mm long)	1	A127 alternator, 1985-On
GMB50920	£11.56	ALTERNATOR BELT, multi groove	1	MPI 1996-On
19	£12.30	FAN, alternator, (A115/45)	1	use with GEU2206
AAU1097	NCA	FAN, alternator, (A127/45)	1	use with GXE2297
20	£10.00	BRACKET, rear mounting	1	pre A+ engines
CAM4853	£12.90	BRACKET, rear mounting	1	A+ engines
21	£0.30	SCREW, bracket to block	2	
22	£0.40	WASHER, locking	2	
23	£1.04	BOLT	2	} alternator to rear } bracket + water pump
24	£0.40	WASHER, locking	2	
25	£0.14	NUT, plain 5/16" UNF	2	
26	£0.30	WASHER, plain	1	
27	£7.20	PILLAR, adjustment link	1	pre A+ engines
SH606111	£0.77	SCREW, 3/8"	1	A+ engines, engine front to
PWZ306	£0.47	SPACER, adjusting link	2	alternator link
28	£0.22	NUT, plain, 3/8" UNF	2/1	quantity reduced
29	£0.30	WASHER, locking	2/1	with SH606111
30	£1.00	WASHER, plain	2/1	
31	£0.53	NUT, nyloc	1	not used with SH606111
32	£7.20	LINK, alternator adjustment	1	



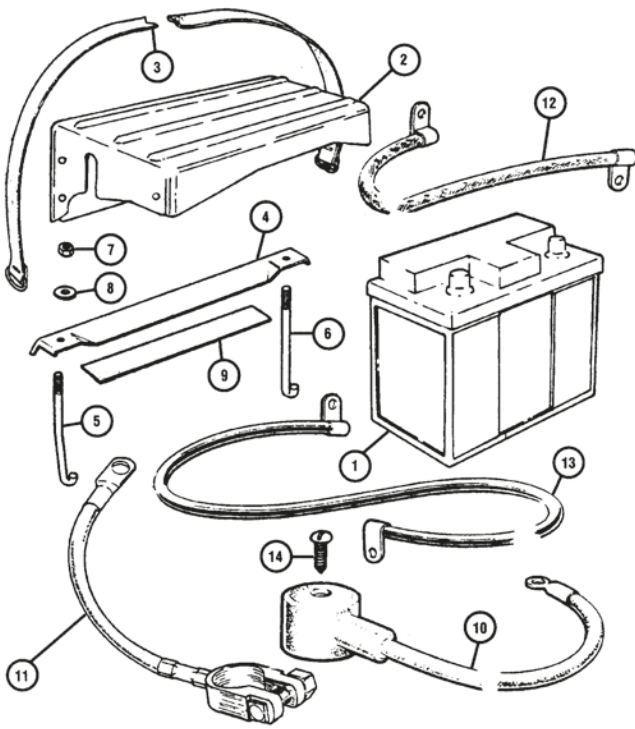
Part Number	Price £ea.	Description	Req.	Details
Distributors				
1	BAU1962	NCA DISTRIBUTOR (45D)	1	998cc pre A+
	ADU3766	NCA DISTRIBUTOR (45D)	1	998cc A+
	AAU9142	NCA DISTRIBUTOR (59D)	1	998cc A+
	ADU4049	£102.00 DISTRIBUTOR (59D)	1	998cc A+
	ADU5789	£203.70 DISTRIBUTOR (59D)	1	998cc A+ lead free
	AUU1536	£81.60 DISTRIBUTOR, electronic	1	Cooper 1300cc + SE
	TMG10871	£204.00 DISTRIBUTOR	1	performance
	TMG10873	£173.40 DISTRIBUTOR	1	performance
	TMG10869	£156.90 DISTRIBUTOR	1	performance
	TMG10870	£143.10 DISTRIBUTOR	1	performance
2	513682A	£1.25 'O' RING, distributor	1	
3	37H8225	£10.00 VACUUM UNIT, Lucas	1	To 1976
	37H8414	£25.50 VACUUM UNIT, Lucas	1	1976-89
	37H8226	NCA VACUUM UNIT, Lucas	1	1980-89
	BAU5252	NCA VACUUM UNIT, Ducellier	1	
	BAU5309	NCA VACUUM UNIT, Lucas	1	Cooper 1300cc
4	NJL100060	£27.30 MODULE, electronic ignition	1	Cooper 1300cc + SE
5	613857A	£9.30 CLAMP, distributor	1	A To 1985
	TAM1671	£8.70 CLAMP, distributor	1	A+ 1985-On
6	CAM6105	NCA BOLT, distributor clamp	1	A To 1985
	TAM1706	£1.75 BOLT, distributor clamp	1	A+ 1985-On

Ignition System Service Parts

7	GDC136	£5.10 CAP, distributor	1	Lucas 45D and 59D
	GDC142	£7.20 CAP, distributor side entry	1	Lucas 45D and 59D
	GDC214	£13.90 CAP, distributor	1	Ducellier distributor
	GDC156	£3.50 CAP, distributor	1	Cooper 1300cc + SE

Part Number	Price £ea.	Description	Req.	Details
GDC156CLEAR	NCA	CAP, distributor	1	Cooper 1300cc A+ SE, clear
8	GRA2114	£3.85 ROTOR ARM	1	Lucas 45D and 49D
	GRA2114HQ	£7.10 ROTOR ARM, high quality	1	
	GRA123	£4.30 ROTOR ARM	1	Ducellier distributor
	GRA2123B	NCA ROTOR ARM	1	Ducellier distributor
	GRA2143	£2.70 ROTOR ARM	1	Cooper 1300cc + SE
9	GSC2109	£2.95 CONDENSER	1	Lucas 45D and 59D
	GSC113	NCA CONDENSER	1	Ducellier distributor
10	GCS118	£4.00 CONTACT SET	1	Lucas 45D
	GCS119	£8.50 CONTACT SET	1	Ducellier distributor
	GCS124	£4.30 CONTACT SET	1	Lucas 59D
11	37H4229M	£1.70 VACUUM PIPE	1	sold per metre
12	MAQ10008	NCA VACUUM SWITCH	1	1992-On
				(This thermostatically controlled vacuum switch fits in thermostat housing).
13	12B2062	£1.57 CONNECTOR, vacuum pipe	1	angled
14	12B2095	£2.00 CONNECTOR, vacuum pipe	1	straight
15	GCL110	£12.00 COIL	1	To 1982
	GCL132	£16.80 COIL, ballast resistor	1	all 1982-On
	GCL143	£21.00 COIL, electronic	1	
	GCL204	£44.30 COIL, coil pack	1	1996-On MPI
16	12G2994	£9.30 BRACKET, coil mounting to head	1	Lucas coil
17	SH605041	£0.43 SCREW, coil to bracket	2	
18	GHF332	£0.40 WASHER, locking	2	
19	WC108051	£0.30 WASHER, plain	2	
20	GHT7003	NCA HT LEAD, right angle	4	1968-69
	GHT241	£21.46 HT LEAD SET	1	1275cc
	GHT289	£22.20 HT LEAD SET	1	1996-On MPI
22	BP6ES	£3.20 SPARK PLUG, non resistor	4	998cc To 1986
	BP5ES	£3.90 SPARK PLUG, non resistor	4	998cc 1987 To September 1989
	BPR4ES	£5.26 SPARK PLUG, resistor, lead free	4	998cc October 1989-On
	BPR6ES	£5.50 SPARK PLUG, resistor	4	1275cc Cooper carburettor and TBI
23	8G727	£6.60 COVER, coil	1	not fitted as standard
24	AUU1104	NCA COVER, distributor	1	VIN315055
25	BHM773	£29.10 COVER, moulded plastic, grille	1	van
26	BHM1675	£42.60 SHIELD KIT, ignition system	1	From VIN315056
	BHM1676	£21.50 SHIELD KIT, ignition system	1	
	NJT10004	£34.50 SHIELD KIT, ignition system	1	Cooper SE & 1300cc
	GDS102A	£11.90 SHIELD KIT, ignition system	1	small saloon
27	13H6461	£4.70 TURN BUTTON, shield retaining	3	
28	54966877	£6.90 PLUG & LEAD, electronic module	1	Cooper 1300

Note: The side entry push fit cap, GDC142 requires slight modification to fit. The two screws need to be removed and a groove filed. Fits 45D distributors with a clip retained cap GDC136.



iii. Part Number Price £ea. Description Req. Details

Batteries and Cables

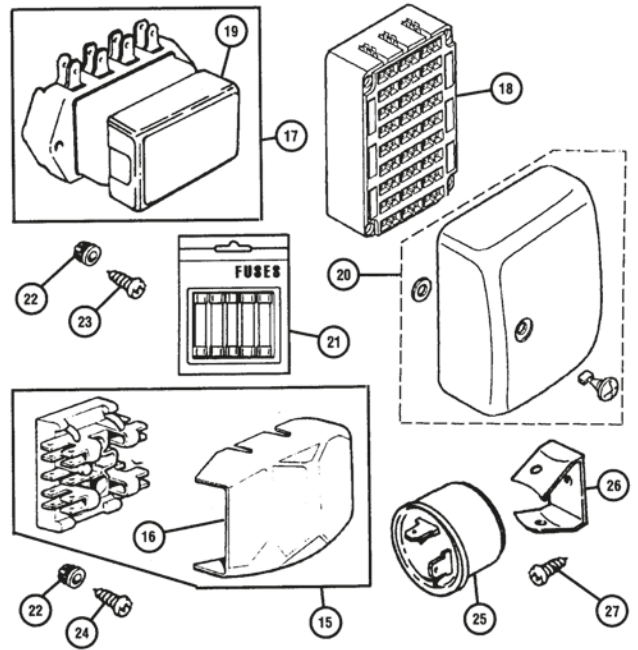
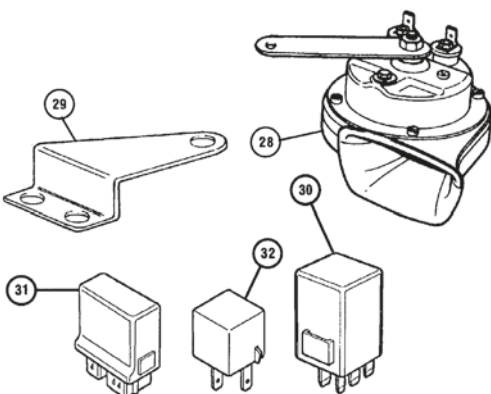
1	GBY5601D	NCA	BATTERY, 12 volt, 30 A/hr, dry	1	
	GBY5601W	£91.80	BATTERY, 12 volt, 30 A/hr, wet	1	

Note: Dry batteries can be delivered worldwide, customers must arrange their own filling of dry batteries with suitable electrolyte and initial charge.

2	5L877	£24.10	COVER, battery	1	
3	14A7776	£10.00	STRAP, battery cover retaining	1	
4	HAM2457	£10.50	BAR, battery retaining	1	
5	5L1158	£2.30	HOOK BOLT, rear, 2 1/8"	1	
	YJH100010	£1.96	HOOK BOLT, rear, 3"	1	
6	5L1159	£1.90	HOOK BOLT, front, 2 1/8"	1	
	YJJ100040	£2.20	HOOK BOLT, front, 3"	1	
7	GHF200	£0.22	NUT, hook bolt	4	
8	GHF300	£0.22	WASHER, plain	2	
9	078447A	£5.00	PACKING STRIP	1	cut to length
10	5L885	NCA	CABLE, battery to solenoid	1	inertia starters
	AUU1089	£44.80	CABLE, battery to solenoid	1	pre engaged starters
11	5L924	£13.30	CABLE, battery earth	1	

Note: To ensure good reliability of your Mini make sure the earth leads are in good condition. A damaged or old earth lead can be a major source of problem on the Mini, bad starting and sticky Throttle cables are quite common due to a neglected earth cable.

12	YMS10090	£6.10	CABLE, engine earth	1	
13	5L925	£10.50	CABLE, solenoid to starter	1	inertia starters only
14	2K8645	£0.26	SCREW, cable to battery terminal	1	
	GHF2750	£5.00	CLAMP, battery terminal, negative	1	
	GHF2755	£5.00	CLAMP, battery terminal, positive	1	



iii. Part Number Price £ea. Description Req. Details

Fuse Box, Fuses and Flasher Units

15	606253A	£12.60	FUSE BOX, (2 fuses required)*	1	To 1976
16	505158A	£4.70	COVER, fuse box	1	
17	RTC440A	£18.10	FUSE BOX, (4 fuses required)*	1	1976-On
18	AFU3103	NCA	FUSE BOX	1	1996-On MPI (Located inside car under dash in drivers footwell).

*Note: Fuse boxes do not come with fuses.

19	37H4727A	£4.80	COVER, fuse box	1	
	BST440	£22.60	COVER, fuse box, stainless steel	1	
20	YQH100720PMA	NCA	COVER, fuse box	1	1996-On MPI
21	GFS3015	£2.16	FUSES, 15A, pack of five	1	as required
	GFS3025	£3.00	FUSES, 25A, pack of five	1	
	GFS3035	£2.16	FUSES, 35A, pack of five	1	
22	GHF1030	£0.60	NUT, insert in bulkhead	1/2	(Qty. increased for fuse box RTC440A).
23	AB610081	£0.41	SCREW, self tapping	2	use with RTC440A
24	AB608031	£0.22	SCREW, self tapping	1	use with 606253A
25	GFU2124	£5.10	FLASHER UNIT	1	cars with or without repeater lamps
	GFU2204	£5.10	FLASHER UNIT, hazard lights	1	
	GFU2218	£5.40	FLASHER UNIT	1	two pin
	GFU2208	£14.40	FLASHER UNIT	1	three pin hazard warning
26	BHA4780	£2.95	CLIP, square flasher unit	a/r	
27	GHF425	£0.22	SCREW, clip to bulkhead	a/r	

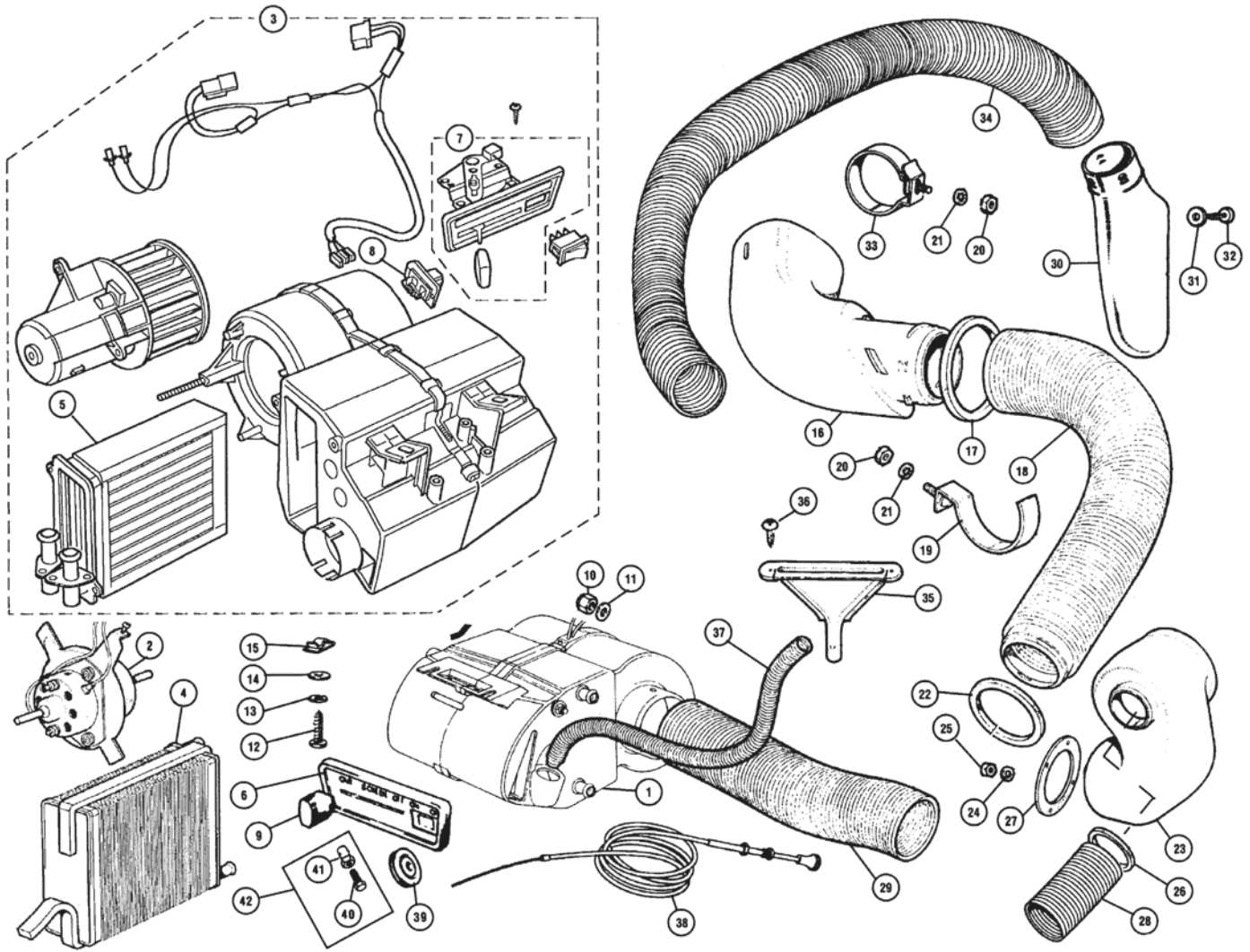
Horns

Note: R-Numbering of horns.

28	GGE101	£12.90	HORN, high tone, single terminal	1	France, To VIN175685
	GGE164	£10.40	HORN, high tone, twin terminal	1	
	GGE165	£10.40	HORN, low tone, twin terminal	1	
	MT9143	£18.55	HORN, chrome, twin terminal	1	
29	57H5309	£2.60	BRACKET	1	To VIN175685

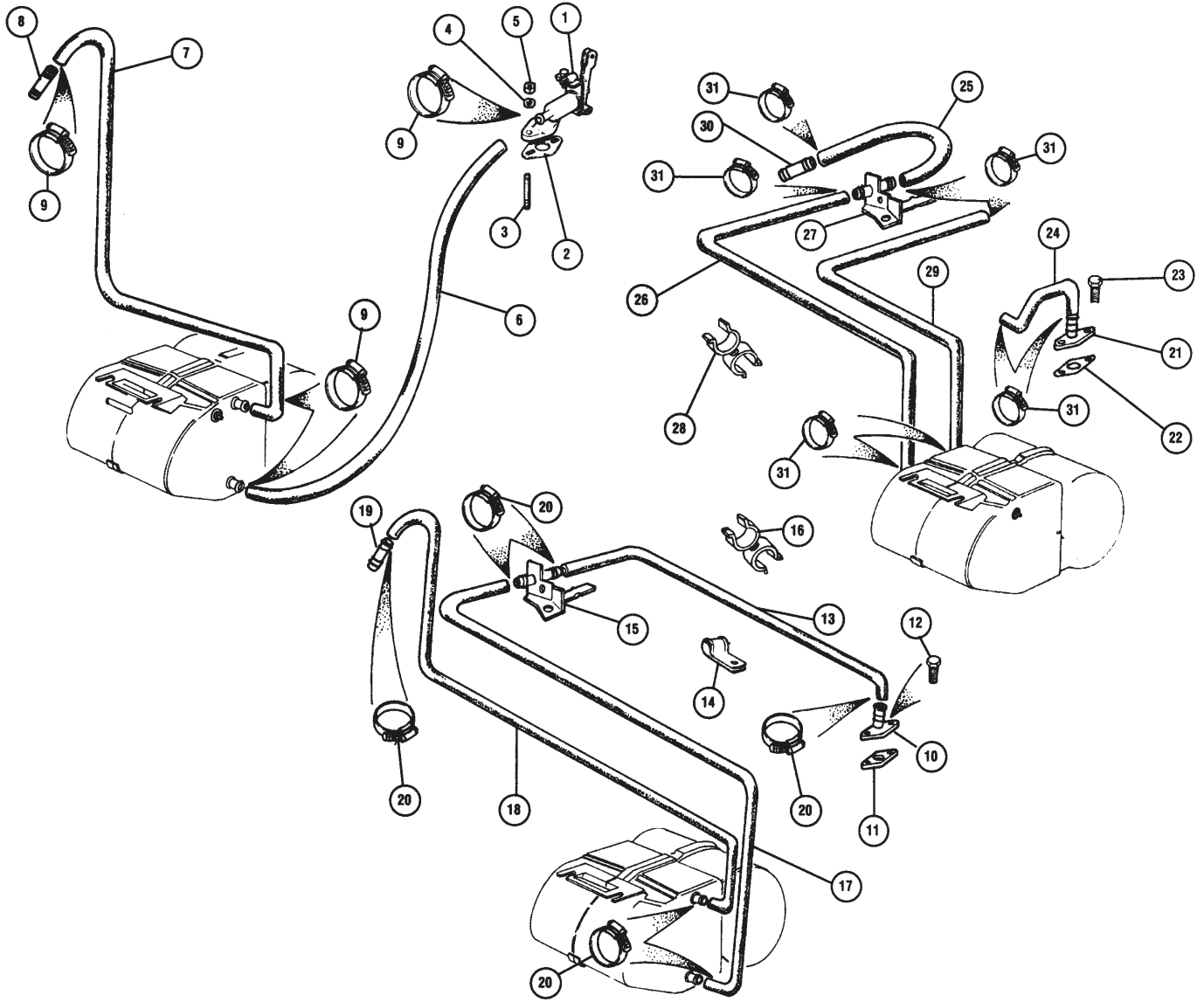
Note: Brackets may require modification due to metric threads on horns.

30	YWC10050	£20.60	RELAY, dim dip control	1	
31	YWB10022	£162.60	RELAY, SPI and MPI	1	engine management relay
32	YWB10012	£10.20	RELAY, multi use	a/r	(Headlamps, horn, driving lamps, direction indicator lamps).



ill.	Part Number	Price £ea.	Description	Req.	Details
Heater Unit And Ducting					
1	JGC10008	NCA	MOTOR, with fan	1	To VIN073750
2	JGC100110	NCA	MOTOR, with fan	1	From VIN073751
3	JEC101790	NCA	MOTOR, twin speed, with fan	1	MPI From VIN134455
4	37H216	£81.90	HEATER MATRIX, 0.50" bore	1	To VIN212068
	BAU5043	£48.90	HEATER MATRIX, 0.625" bore	1	From Vin212069
5	JEF10005	£75.90	HEATER MATRIX, 0.625" bore	1	plastic casing (Inlet and outlet unions are not supplied with matrix).
	JEP10008	£39.60	OUTLET PIPES, heater matrix	1	for JEF10005
6	BAU1924	NCA	CONTROL PANEL, air distribution	1	fits all
7	JFC101620PMA	NCA	CONTROL PANEL, air distribution	1	1996-On MPI
8	JGM100100	NCA	RESISTOR, speed controller	1	1996-On MPI
			(For twin speed heater JEC101790).		
9	BAU1923	NCA	KNOB, air distribution control	1	
10	GHF243	£1.04	NUT, heater to bulkhead	1	
11	GHF302	£1.00	WASHER, plain, for above	2	
12	AB610071	£0.66	SCREW, heater to parcel shelf	2	
13	WL700101	£0.25	WASHER, locking	2	
14	GHF306	£0.30	WASHER, plain	2	
15	GHF713	£0.43	SPIRE NUT	2	
16	JKA10012	NCA	DUCT, air intake behind grille, RH	1	
17	JPC6876	NCA	SEAL, duct to flitch	1	
18	EAM7437	NCA	HOSE, duct to air box	1	
19	AHH5714	£3.70	CLIP, air hose to flitch	1	To VIN290002
	JCG10001	NCA	CLIP, air hose to flitch	1	From VIN290003
20	GHF200	£0.22	NUT	2	
21	WE702101	£0.30	WASHER, locking	2	
22	CZH1717	NCA	SEAL, hose to air box	1	To VIN336452
	JPC6876	NCA	SEAL, hose to air box	1	From VIN336543
23	CZH1951	NCA	AIR BOX, no face vents	1	
	CZH1755	NCA	AIR BOX, with face vents	1	To VIN504653
	JKQ10002	NCA	AIR BOX, with face vents	1	From VIN504654
24	WE702101	£0.30	WASHER, locking	4	
25	ANZ103	£1.30	NUT	4	
26	CZH693	NCA	SEAL, air box to face vent	1	
27	CZH1717	NCA	SEAL, air box to flitch	1	To VIN336542
	JPC6877	NCA	SEAL, air box to flitch	1	From VIN336543

ill.	Part Number	Price £ea.	Description	Req.	Details
28	CZH700	NCA	HOSE, air box to RH face vent	1	
29	346999A	£17.50	HOSE, air box to heater	1	
30	CZH1318	NCA	DUCT, air intake, LH	1	
31	GHF306	£0.30	WASHER	3	
32	AB608031	£0.22	SCREW, self tapping	3	air intake to front panel
33	JCG10001	NCA	CLIP, HOSE LH	1	
34	EAM7097	NCA	HOSE, nozzle to face vent, LH	1	From VIN073751 To 5740
	627527	£10.80	HOSE, nozzle to face vent, LH	1	alternative
35	JKC10025	NCA	NOZZLE, screen demister	2	To VIN073750
	JKC10025	NCA	NOZZLE, screen demister	2	From VIN073751 To 5740
36	AB610051	£0.30	SCREW, nozzle to dash	4	From VIN073751 To 5740
37	CZH1753	£40.85	HOSE, heater to nozzle	2	To VIN073750
	JKC10024	£20.10	HOSE, heater to nozzle	2	From VIN073751 To 5740
38	14A9988	£30.60	CABLE, heater	1	original Bakerlite type knob
	MCR101	£18.00	CABLE, heater, 30"	1	
	MCR102	£18.00	CABLE, heater, 30"	1	From VIN369449 To VIN463230
	MCR103	£18.00	CABLE, heater, 30", (less motif)	1	From VIN463231 not TBI
	JFD10039	NCA	MOTIF, knob, (for above)	1	
	JFF10051	£13.50	CABLE, heater, 40"	1	1991-On
	JFF100910	£77.40	CABLE, heater	1	MPI, remote heating valve
	MCR101	£18.00	CABLE, heater	1	To 1989
	MCR102	£18.00	CABLE, heater	1	1989-On option for JFF10003
	MCR103	£18.00	CABLE, heater	1	30" option for JFF10048
39	CAM5969	£2.10	GROMMET	1	cable through bulkhead
40	53K1016	£0.64	SCREW, cable to water valve	1	tap on head
41	24G1482	NCA	TRUNNION, cable end	1	
42	24G1482K	£1.60	TRUNNION KIT, cable end	1	remote tap



iii. Part Number Price £ea. Description Req. Details

Heater Hoses

Heater Hoses & Taps To VIN396448

1	ADU9102	NCA	HEATER VALVE, angled type	1	
	ADU9102Z	£20.40	HEATER VALVE, angled type	1	aftermarket
	JJC10018	£28.30	HEATER VALVE, straight type (Alternative, uses original type gasket & hardware).	1	Morris Minor fitment
	2A180	£4.40	BLANKING PLUG	1	when water valve not fitted
2	88G221	£0.43	GASKET, heater tap	1	
3	53K402	£1.57	STUD, heater tap	2	
4	GHF331	£0.38	WASHER, locking	2	
5	GHF200	£0.22	NUT	2	
6	GRH1006M	£7.20	HOSE, valve to heater (0.50" bore, cut to length RHD = 29" and LHD = 26").	1	1974-89 per metre
7	602057	£10.00	HOSE, heater return 0.50 bore	1	aftermarket

Note: (0.50" bore) for LHD cut to 35" length.

6	BMP366	NCA	HOSE, inlet RHD & LHD (Stepped bore 0.5"/0.625", cut to length RHD = 29" and LHD = 26").	1	1984-89
7	GRH905	£6.14	HOSE, heater return RHD (Stepped bore 0.5"/0.625").	1	1984-89
	BMP366	NCA	HOSE, heater return LHD (Stepped bore 0.5"/0.625").	1	1984-89
8	CAM4412Z	NCA	CONNECTOR, heater hose	1	return to bottom hose
9	GHC11022	£2.30	CLIP, hose, 0.500"	a/r	
	GHC11030	£2.70	CLIP, hose, 0.625"	a/r	

Heater Hoses From VIN396449 On

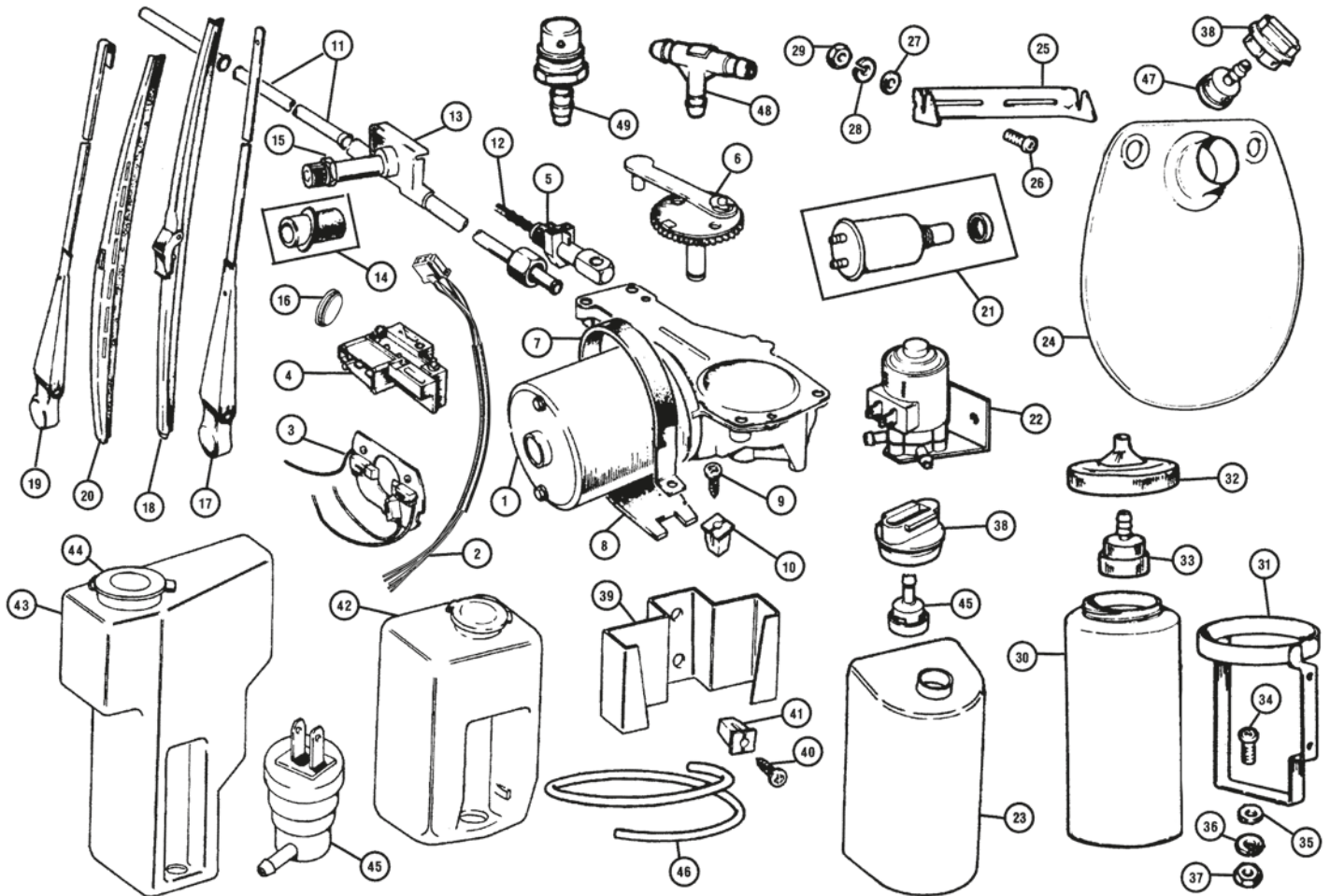
10	12G2534	£24.40	WATER OUTLET, cylinder head	1	
11	88G221	£0.43	GASKET, water outlet to cylinder head	1	
12	TAM1368	NCA	SCREW, water outlet to cylinder head	2	

iii. Part Number Price £ea. Description Req. Details

13	NAM8677	NCA	HOSE, outlet to water valve	1	
14	PEU10016	£2.32	CLIP, heater hose to rocker cover	1	
15	JJB10011	£31.70	WATER VALVE, remote mounted	1	
	JB100260	£36.90	WATER VALVE, remote mounted	1	MPI
16	CDU2153	NCA	CLIP, hose to hose	1	
17	JHB10002	£11.65	HOSE, valve to heater In	1	998cc models
18	JHC10004	NCA	HOSE, heater return	1	To VIN504670
17	GRH1211	£29.10	HOSE, valve to heater In	1	998cc models
18	GRH1219	NCA	HOSE, heater return	1	From VIN504671
19	PCP10006	£19.80	CONNECTOR	1	heater return to bottom hose
20	GHC11030	£2.70	CLIP, hose 0.625"	a/r	

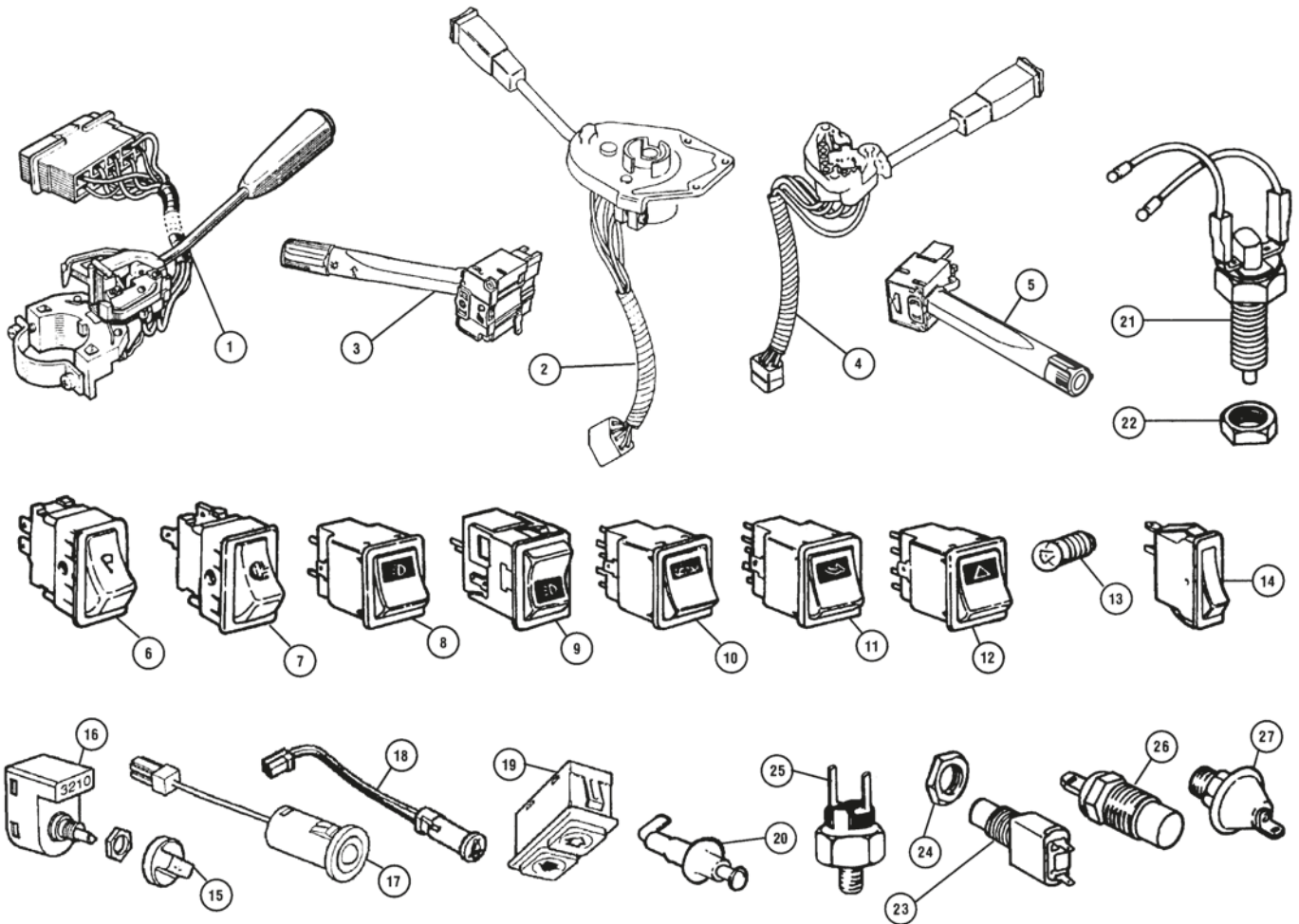
Heater Hoses Cooper 1300 Models

21	12G2534	£24.40	WATER OUTLET, cylinder head	1	
22	88G221	£0.43	GASKET, water outlet to cylinder head	1	
23	TAM1368	NCA	SCREW, water outlet to cylinder head	2	
24	PEH10021	NCA	HOSE, water outlet to manifold	1	
25	GRH1006M	£7.20	HOSE, alternative, CTF	1	manifold to valve and bottom hose
26	JHB10017	NCA	HOSE, heater outlet to valve	1	To VIN031529
27	JJB10011	£31.70	WATER VALVE, remote mounted	1	To VIN134454
	JB100260	£36.90	WATER VALVE, remote mounted	1	From VIN134455
28	CDU2153	NCA	CLIP, hose to hose	1	
29	JHC10004	NCA	HOSE, thermostat to heater, RHD	1	
	JHC10007	NCA	HOSE, thermostat to heater, LHD	1	
30	PCP10006	£19.80	CONNECTOR (Heater return to bottom hose).	1	To VIN504670
	PCP10095	NCA	CONNECTOR (Heater return to bottom hose).	1	From VIN504671
31	GHC11030	£2.70	CLIP, hose 0.625"	a/r	



Part Number	Price £ea.	Description	Req.	Details
Windscreen Wiper System				
1 GXE7708	£49.00	WIPER MOTOR, new	1	less drive gear
2 GXE7708P	£15.30	PLUG & LEAD, wiper motor wiring	1	
Note: Due to the motor assembly being used in many different cars, the drive gear is not supplied with an exchange assembly, it must be retained from the original.				
3 RTC198A	£13.20	BRUSH KIT	1	
4 520160A	£20.40	PARK SWITCH	1	
5 37H3694	£2.40	FERRULE, wiper motor	1	
6 608092A	£35.70	GEAR, (110 degree), 46 teeth	1	
7 37H4836SS	NCA	STRAP, motor to bulkhead	1	stainless steel
8 150844A	£2.05	PAD, wiper motor to bulkhead	1	
9 AB612051	£0.41	SCREW, strap retaining	2	self tapping
SE604051	£0.47	SCREW, strap retaining	2	machine thread
GHF300	£0.22	WASHER, plain	2	not illustrated
10 GHF1029	£0.77	NUT, insert in bulkhead	2	
11 AAU1909A	£19.60	TUBE KIT, wiper rack guide	1	cut and flare to fit
12 RTC202A	£8.70	WIPER RACK	1	cut to fit
13 37H7200	£26.10	WIPER WHEEL BOX	2	1971-On
14 37H7201	£10.20	WIPER BUSH KIT	2	
15 17H8769	£1.31	WIPER WHEEL BOX NUT	2	
16 14A7091	£2.40	PLUG, unused wiper Holes	2	
WPA9022X	£25.00	WIPER ARMS AND BLADES KIT, RHD	1	inc: GWB219 x2 and 13H5629 x2
WPA9023X	£25.00	WIPER ARMS AND BLADES KIT, LHD	1	inc: GWB219 x2 and 13H5626 x2
17 13H5629	£6.70	WIPER ARM, s/steel, LH side, RHD	2	
13H5626	£6.70	WIPER ARM, s/steel, RH side, LHD	2	
CZH4331	£23.20	WIPER ARM, black, LH side, RHD	2	
CZH4173	£25.00	WIPER ARM, black, RH side, LHD	2	
18 GWB219	£7.40	BLADE, wiper, stainless steel	2	
GWB219Z	£6.00	BLADE, wiper, stainless steel	2	
GWB911	£6.60	BLADE, wiper, black	2	
19 DKB101480	£11.40	WIPER ARM, hook fitting, RHD	2	1990-On
DKB101490	£11.40	WIPER ARM, hook fitting, LHD	2	
20 GWB911	£6.60	BLADE, wiper, hook fitting	2	

Part Number	Price £ea.	Description	Req.	Details
21 GWW102	£18.40	WASHER PUMP, manual	1	
GWW102B	£21.90	WASHER PUMP, manual, plastic	1	
22 GWW125	£10.20	WASHER PUMP, electric	1	remote mounted 1976 To VIN107477
GWW1069	NCA	WASHER PUMP, electric	1	
GWW1192	£18.40	WASHER PUMP, electric	1	1989-On
23 GWW906	£14.40	BOTTLE, 1 litre	1	bulkhead mounted
24 GWW917	£21.00	WASHER POUCH	1	fitted to early Minis
GWW917X	£23.10	WASHER POUCH, including motor	1	fitted to early Minis
25 BHA4919	£8.10	BRACKET, washer pouch	1	
26 PMZ308	£0.30	SCREW	2	
27 GHF306	£0.30	WASHER, flat	2	
28 WL700101	£0.25	WASHER, spring	2	
29 GHF206	£0.16	NUT	2	
30 GWW918K	£12.50	WASHER BOTTLE, with lid	1	plastic, Mkl & MklI
31 13H232	£6.60	BRACKET, washer bottle	1	
13H232SS	£9.60	BRACKET, washer bottle	1	stainless steel
32 AHG6848	NCA	TOP WASHER BOTTLE	1	
33 GWW506	£1.57	FOOT, VALVE	1	
43 PMZ306	£0.47	SCREW	2	
35 PWZ203	£0.19	WASHER, flat	2	
36 WL700101	£0.25	WASHER, spring	2	
37 GHF206	£0.16	NUT	2	
38 GWW951	£3.00	CAP	1	
39 CZH1624	£6.70	BRACKET	1	
40 GHF423	£0.30	SCREW, bracket to bulkhead	2	
41 GHF1030	£0.60	NUT, insert in bulkhead	2	
42 GWW935	NCA	BOTTLE & CAP (Mounted on fitch).	1	VIN107478 To 396448
43 GWW940	£49.90	BOTTLE & CAP (Mounted on fitch, direct acting servo).	1	VIN396449 To 504653
44 GWW973	NCA	CAP, washer bottle	1	
45 GWW130	£8.70	WASHER PUMP, fitted in bottle	1	
46 GWW202M	£1.80	TUBING	a/r	per metre
47 GWW601	£5.30	VALVE, in bottle	1	
48 GWW401	£1.49	T-PIECE	1	1980-On
49 GWW804	£3.38	JET, black plastic	2	MkIII, To 1978
GWW829	£3.10	JET, black plastic	2	1978-On



ill.	Part Number	Price £ea.	Description	Req.	Details
Column Switches					
1	2A6215	£63.30	SWITCH, indicator	1	Mkl with indicator warning lamp on the end of stalk for Mkl indicator warning lamp
	47H5200	£1.64	LENS, green	1	
	13H7779	£50.40	SWITCH, indicator with horn and dip	1	To 1976
2	21A2658	£37.80	SWITCH, indicator, RH side	1	RHD, 1976 To VIN196212
	21A2660	£47.40	SWITCH, indicator, LH side	1	From VIN196213-290002
	BAU5345	£37.00	SWITCH, indicator, LH side	1	VIN290003 On
3	XPC100200PMP	£134.70	SWITCH, indicator, LH side	1	1996-On MPI
4	37H8285	£25.50	SWITCH, wipers, LH side	1	RHD, 1976 To VIN196212
	37H8286	£50.10	SWITCH, wipers, RH side	1	From 196212-290002
	BAU5346	£25.00	SWITCH, wipers, RH side	1	VIN290003 On
5	XPE100420PMP	£78.60	SWITCH, wipers, RH side	1	1996-On MPI

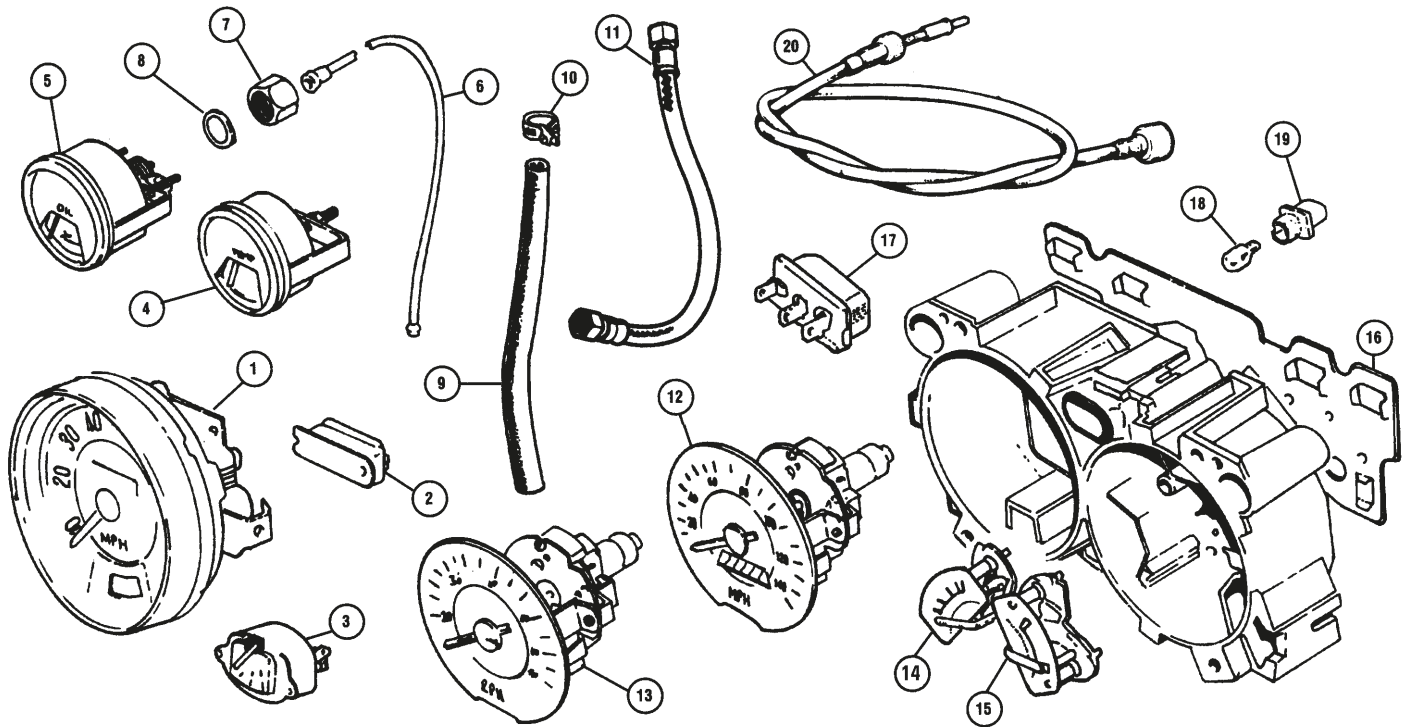
Note: For manual washer pump fitted prior to 1976 please see windscreen wiper system section.

Note: Between 1976 & 1984 BL Cars bought switches from both Lucas and Bonnella. Only Lucas switches are currently supplied, so when replacing a Bonnella switch both Lucas switches must be purchased as the two makes are not compatible. To quickly identify which is fitted to your car, Lucas type wash/wipe is fitted to the indicator switch by a hex-headed self tapping screw whereas the Bonnella type is riveted.

Dash Switches

6	13H6343	£11.70	SWITCH, wipers, single speed	1	Lucas terminals
	BHA5110	£12.30	SWITCH, wipers, two speed	1	To 1976
7	13H6342	£30.20	SWITCH, lights	1	
8	YUF101030	£11.40	SWITCH, lights	1	
9	ADU4791	NCA	SWITCH, fog lights	1	
	YUF000110	£11.70	SWITCH, fog lights	1	
10	YUF101680	£11.10	SWITCH, heated rear screen	1	pin terminals
11	ADU4794	NCA	SWITCH, brake check switch	1	1976-On

ill.	Part Number	Price £ea.	Description	Req.	Details
	YUF101650	£13.70	SWITCH, brake check switch	1	Mkl with indicator warning lamp on the end of stalk for Mkl indicator warning lamp
12	13H8725	NCA	SWITCH, hazards	1	
	YUF101660	£15.00	SWITCH, hazards	1	
13	GLB280	£1.52	BULB, illuminating switches	a/r	
14	YUF101090	£8.10	SWITCH, heater control	1	
15	YUM10002	£1.92	KNOB, rotary switch	1	
16	YUK100140	NCA	SWITCH, headlamp level	1	rotary switch
17	YWN10002	£15.00	LED LIGHT, burglar alarm	1	alarm indicator LED light fits into dash
18	XHC100010	£7.80	WARNING LAMP	1	seat belt indicator
19	YUC10004	NCA	SWITCH, sunroof	1	fitted to British open classic
	14E3386	NCA	SWITCH PANEL	1	Mkl
	14A7172	£16.30	BEZEL, switch panel	1	Mkl
	ALE2960	£18.30	SWITCH PANEL, grey	1	Mkll
	24G6617	£4.56	SWITCH PLINTH, auxiliary	1	
(For fog light switch, fitted under lower dash).					
Miscellaneous Switches					
20	YUE10003	£8.00	SWITCH, door courtesy light	2	
21	GAE191A	£8.40	SWITCH, reverse lights	1	
22	54K1723	£0.89	LOCK NUT, reverse light switch	1	
23	13H3735	£4.50	SWITCH, brake lights	1	mechanical type,
	13H3735X	£7.40	SWITCH, brake lights, uprated	1	fitted on pedal box
24	FNZ208	£0.77	NUT, locking	1	
25	C16062A	£4.85	SWITCH, brake lights	1	hydraulic type, fitted in brake line
26	GTR101	£7.00	SENDER UNIT, water temperature	1	all 998cc models
	GTR185	£10.40	SENDER UNIT, water temperature	1	Cooper 1300
27	GPS133	£3.90	SWITCH, oil pressure	1	



ill. Part Number Price £ea. Description

Instruments And Gauges

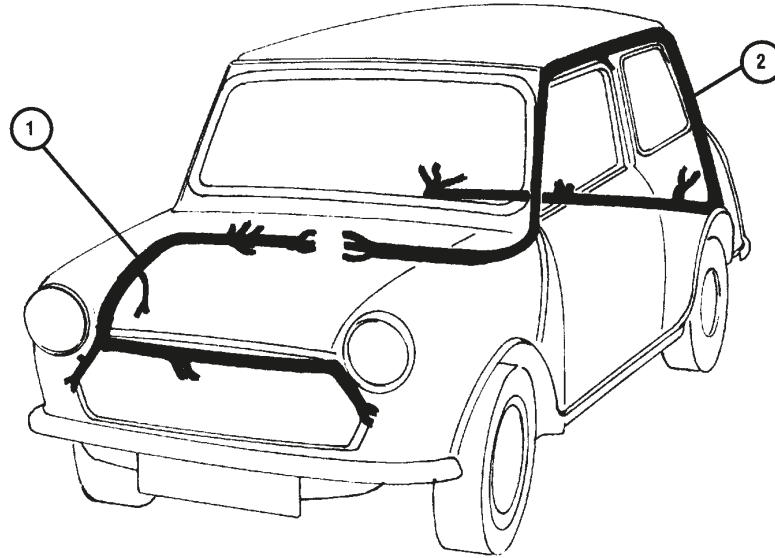
Centre Binnacle Instruments

Part Number	Price £ea.	Description	Req.	Details
1 ADU2341	NCA	SPEEDOMETER, MPH, 90MPH	1	3.4 final drive
13H4442	£238.00	SPEEDOMETER, MPH, 130MPH	1	Cooper S
13H4442M	£265.00	SPEEDOMETER, MPH, 130MPH	1	Cooper S, magnolia face
13H4444	£254.40	SPEEDOMETER, KPH, 200KPH	1	Cooper S
13H4444M	£269.10	SPEEDOMETER, KPH, 200KPH	1	Cooper S, magnolia face
2 C34770A	£14.30	VOLTAGE STABILISER	1	BR1310/00
3 13H2133E	£50.80	FUEL GAUGE	1	
4 13H4460	£56.60	GAUGE, water temperature	1	
13H4460W	£63.30	GAUGE, water temperature	1	magnolia face
5 13H4459	£89.45	GAUGE, oil pressure	1	
13H4459W	£88.60	GAUGE, oil pressure	1	magnolia face
6 21A804	£19.30	OIL PIPE, gauge to hose	1	
7 11B2037	£4.70	NUT	1	
8 2K4936	£0.30	SEALING WASHER	1	
9 ACA5420	£9.80	OIL HOSE	1	
MT9102	NCA	OIL HOSE	1	braided 4ft long
10 GGT1113X	£1.80	OIL HOSE CLIP	2	
11 LUSIB703	£14.40	HOSE, plastic, oil gauge	1	alternative, with fittings
CAM4202	£21.10	OIL PIPE, hose to cylinder block	1	
GLB987	£0.66	BULB, dash illumination	a/r	
24A2702	£37.80	BINNACLE, 3 clocks	1	centre clocks
14A9907	£18.30	FINISHER TRIM, centre binnacle	1	
14A9796	£1.90	CLIP, trim to binnacle	14	
GAC8460X	£8.70	BINNACLE, crinkle black, single aux	1	for 80mm gauge
GAC8461X	£10.80	BINNACLE, crinkle black, two aux	1	for 80mm + 52mm gauge
GAC8468X	£11.00	BINNACLE, crinkle black, single aux	1	for 52mm gauge
GAC8469X	NCA	BINNACLE, crinkle black, two aux	1	for 52mm gauge
GAE120	£58.40	GAUGE, dynamo ammeter	1	black half face
GAE121	£56.00	GAUGE, 52mm, alternator ammeter	1	black half face
GAE122M	£58.00	GAUGE, 52mm, voltmeter	1	magnolia half face
GAE122	£71.60	GAUGE, 52mm, voltmeter	1	black half face
GAE123M	£101.00	GAUGE, 52mm, oil pressure	1	magnolia half face
GAE123X	£94.00	GAUGE, 52mm, oil pressure	1	black half face
GAE124M	£59.50	GAUGE, 52mm, electric water temp.	1	magnolia half face
GAE124X	£57.20	GAUGE, 52mm, electric water temp.	1	black half face
GAE125X	NCA	GAUGE, 80mm, 0-7000 tach	1	black full face
GAE127X	£168.00	GAUGE, 52mm, w/temp + o/press (Capillary water temp and capillary oil pressure).	1	black two face
GAE128M	£93.40	GAUGE, 52mm, clock	1	magnolia full face
GAE128X	£96.50	GAUGE, 52mm, clock	1	black full face
GAE129M	£78.70	GAUGE, 52mm, oil temperature	1	magnolia half face
GAE130A	£178.00	GAUGE, 80mm, 0-10000 tach	1	black full face
GAE130M	£180.00	GAUGE, 80mm, 0-8000 tach	1	magnolia full face

ill. Part Number Price £ea. Description

All Saloons After 1980 (Smiths Only)

Part Number	Price £ea.	Description	Req.	Details
12 ADU2281	£96.40	SPEEDOMETER, MPH	1	HL models
ADU2283	NCA	SPEEDOMETER, KPH	1	To VIN122248
ADU6142	NCA	SPEEDOMETER, MPH	1	HLE, Mayfair & Ritz
BAU5340	NCA	SPEEDOMETER, KPH	1	(From VIN122249 To VIN290002).
BAU5340	NCA	SPEEDOMETER, KPH	1	HLE & Mayfair only
BAU5340	NCA	SPEEDOMETER, KPH	1	(From VIN122249 To VIN290002).
BAU5402	NCA	SPEEDOMETER, MPH	1	Ritz only
BAU5403	NCA	SPEEDOMETER, KPH	1	(From VIN290003
13 ADU1197E	NCA	TACHOMETER	1	To VIN290002
BAU5404	NCA	TACHOMETER	1	From VIN290003
14 13H5894	NCA	FUEL GAUGE	1	From VIN122248
ADU6455	NCA	FUEL GAUGE	1	From VIN122249
BAU5405	NCA	FUEL GAUGE	1	To VIN290002
15 13H5893	NCA	TEMPERATURE GAUGE	1	From VIN290003
ADU6456	NCA	TEMPERATURE GAUGE	1	To VIN122248
BAU5406	NCA	TEMPERATURE GAUGE	1	From VIN122249
16 37H4881	NCA	PRINTED CIRCUIT BOARD	1	To VIN290002
BAU1930	NCA	PRINTED CIRCUIT BOARD	1	2 clock pod
CDU3247	£83.50	PRINTED CIRCUIT BOARD	1	3 clock pod
YAH100750	NCA	PRINTED CIRCUIT BOARD	1	3 clock pod 1989-96
17 BMK1539A	£25.50	VOLTAGE STABILISER	1	3 clock pod 1996-On
18 GLB297	£1.90	BULB, dash illumination	a/r	
19 13H5270	NCA	BULB HOLDER	a/r	
20 GSD152	£13.50	DRIVE CABLE, speedometer	1	centre binnacle
GSD102	£9.30	DRIVE CABLE, speedometer	1	To VIN122248
GSD415	£13.60	DRIVE CABLE, speedometer	1	From VIN122249
GSD402	£13.00	DRIVE CABLE, speedometer	1	LHD all models
GSD487	£12.00	DRIVE CABLE, speedometer	1	1989-On
MT9501B	£26.50	GAUGE FACE KIT, blue	1	Nippon Seiko 89-On
MT9501G	£26.50	GAUGE FACE KIT, green	1	Nippon Seiko 89-On
MT9501M	£27.10	GAUGE FACE KIT, magnolia	1	Nippon Seiko 89-On
MT9501R	NCA	GAUGE FACE KIT, red	1	Nippon Seiko 89-On
MT9501S	£26.50	GAUGE FACE KIT, silver	1	Nippon Seiko 89-On
MT9501W	£26.50	GAUGE FACE KIT, white	1	Nippon Seiko 89-On
MT9501Y	NCA	GAUGE FACE KIT, yellow	1	Nippon Seiko 89-On
GAC8453X	£534.10	CENTRE BINNACLE KIT	1	accessories section



iii. Part Number Price £ea. Description Req. Details

Wiring Looms

Note: Although most of the Mini wiring looms are shown as NCA most are still available as a special order item. Please contact your local branch to discuss your requirements.

Front Wiring Looms

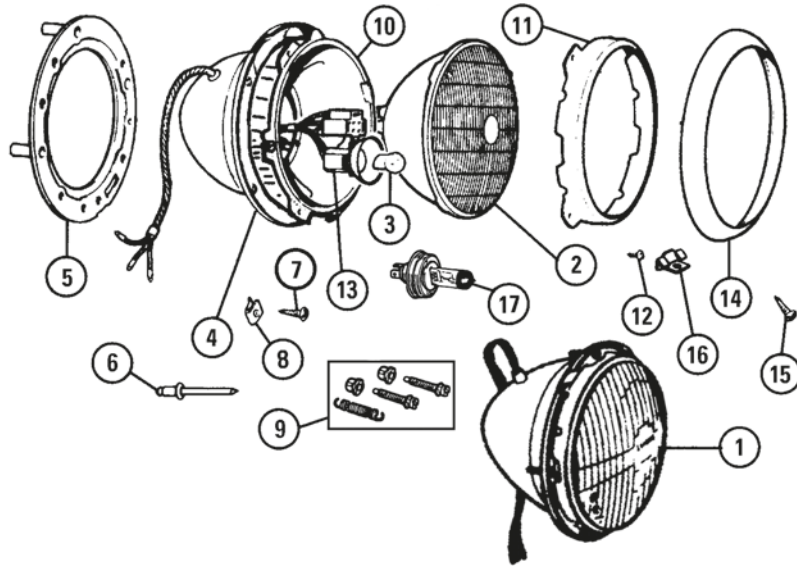
Part Number	Price £ea.	Description	Req.	Details
1 5L503	£227.10	MAIN LOOM (850 Super Deluxe, Cooper Mkl RHD).	1	1963-67
5L518	£227.10	MAIN LOOM (Cooper Mkl complete)	1	1965-67
5L1332	NCA	MAIN & TAIL LOOM (850 Coil on bell housing, No temperature gauge).	1	1959-60
5L518LHD	£236.26	MAIN LOOM (1275 with oil filter light).	1	Mkl Cooper LHD
5L1331	£218.00	MAIN & DASH LOOM (Comm no. N20S165797A To N20S 320000A (alternator fitted)).	1	1972-75
HAM1199	£220.70	MAIN & DASH LOOM (Comm no. N20S320001A To N20S 358125. 2 column stalk switches and mechanical brake switch).	1	1976-77
HAM1487	£220.00	MAIN & DASH LOOM (Comm no. N20S358126 To N20S 363841. Reverse lamps 4 Fuse box).	1	1978
HAM2174	£220.00	MAIN & DASH LOOM (Comm no. N20S363842 To N20S 122248).	1	1979-81, Fog lamps & offset instrument binnacle
HAM2859	NCA	MAIN & DASH LOOM (VIN122249 - 179627. No reverse lamps).	1	City E model UK only
HAM2921	NCA	MAIN & DASH LOOM (VIN122249 - 179658).	1	City E model not UK
HAM3683	NCA	MAIN & DASH LOOM (VIN179628 On).	1	City E model UK only
HAM3682	NCA	MAIN & DASH LOOM (VIN179659 On).	1	City E model not UK
HAM2315	NCA	MAIN & DASH LOOM (Up To VIN107477).	1	HL model
HAM2705	NCA	MAIN & DASH LOOM (VIN107478 - 122248. Washer pump in bottle).	1	HL model
HAM2861	NCA	MAIN & DASH LOOM (VIN122249 - 179630. Tachometer included).	1	HLE, Mayfair, Sprite
HAM3684	NCA	MAIN & DASH LOOM (VIN179631 onwards).	1	HLE, Mayfair, Sprite
HAM4625	NCA	MAIN & DASH LOOM (VIN253000 To VIN345417. Pre-engaged starter & repeater lamps).	1	All LHD Models
HAM4626	£240.40	MAIN & DASH LOOM (VIN253000 To VIN328623).	1	All RHD models
HAM4625	NCA	MAIN & DASH LOOM (VIN345418 - 396448. Dim & dip head lamps, large indicator lamps).	1	All LHD models
HAM4626	£240.40	MAIN & DASH LOOM (VIN328624 To 396448. Dim & dip head lamps).	1	All RHD models
YMC10201	NCA	MAIN & DASH LOOM (From VIN396449 To VIN426487 (approximately)).	1	All RHD models
YMC10202	NCA	MAIN & DASH LOOM (From VIN396449 To VIN426487 (approximately)).	1	All LHD models

iii. Part Number Price £ea. Description Req. Details

YMC10654	NCA	MAIN & DASH LOOM (VIN426488 (approximately) To VIN504653).	1	All RHD models
YMC10655	NCA	MAIN & DASH LOOM (VIN426488 (approximately) To VIN504653).	1	All LHD models
YMC11768	NCA	MAIN & DASH LOOM (VIN504654 On with dim/dip head lamps).	1	All manual cars
YMC11769	NCA	MAIN & DASH LOOM (VIN504654 On without dim/dip head lamps).	1	All manual cars
YMC11428	£250.00	MAIN & DASH LOOM	1	RHD Cooper 1300cc
YMC11388	NCA	MAIN & DASH LOOM	1	RHD Cooper SE
YMC11389	NCA	MAIN & DASH LOOM	1	LHD Cooper 1300cc & SE

Rear Wiring Looms

Part Number	Price £ea.	Description	Req.	Details
2 5L875	£34.70	BODY LOOM (Comm no. N20S165797A To N20S 320000A. Use with 5L1331).	1	1972-75
HAM1301	NCA	BODY LOOM (Comm no. N20S320001A To N20S 358125. Use with HAM1199).	1	1976-77
HAM1286	£53.50	BODY LOOM (Comm no. N20S35126A To N20S 435211).	1	
HAM1924	NCA	BODY LOOM (Comm no. N20S358126 (VIN unknown), XL25IN100001 To N20S 675453).	1	
HAM2920	NCA	BODY LOOM (City Export To VIN228613, City Europe & Sprite RHD VIN122249 On).	1	
HAM2846	NCA	BODY LOOM (City Export VIN228614 On, 1000cc & HL models XL25IN675454 On, City Europe & Sprite RHD VIN140358 - 252999, Mayfair UK VIN100720 - 147143).	1	
HAM3065	£56.10	BODY LOOM (VIN147144 - 252999).	1	Mayfair UK
HAM3835	£53.50	BODY LOOM (VIN25300 - 441904).	1	City E UK & Ritz LHD
HAM3835	£53.50	BODY LOOM (VIN441905).	1	Mayfair & Ritz RHD
YMD10258	NCA	BODY LOOM (VIN441905).	1	All RHD models
HAM3836	NCA	BODY LOOM (To VIN442929).	1	All LHD models
YMD10259	NCA	BODY LOOM (VIN442930 On).	1	
YMD10502	NCA	BODY LOOM (To VIN057167).	1	Sprite, Mayfair, Cooper
YMD10744	NCA	BODY LOOM (To VIN057168).	1	Sprite, Mayfair, Cooper



iii. Part Number Price £ea. Description Req. Details

Headlamps & Fittings

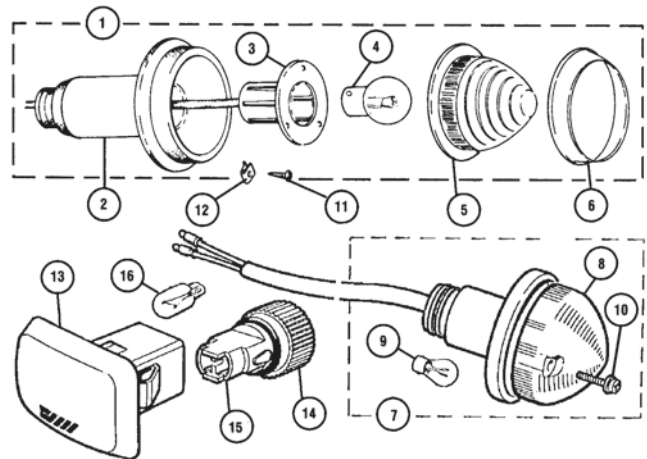
1	13H7922	NCA	HEADLAMP ASSEMBLY, sealed beam	2	RHD, Lucas
	BHM7198	£49.00	HEADLAMP ASSEMBLY, sealed beam	2	RHD, Wipac
	XBC103220	£137.70	HEADLAMP ASSEMBLY, levelling type	2	LHD
			(Includes: headlamp, level motor & wire harness).		
	XBC105220	£76.20	HEADLAMP ASSEMBLY, levelling type	2	RHD, no chrome rim
	XBC105230	£82.60	HEADLAMP ASSEMBLY, levelling type	2	LHD
			(Includes: headlamp, level motor & wiring harness).		
2	13H3471A	£15.60	LAMP UNIT, sealed beam	2	RHD
	27H5981A	£30.00	LAMP UNIT, sealed beam	2	LHD
	BAU1177A	£49.80	LAMP UNIT, bulb type	2	LHD
	GLB410	£3.05	BULB, headlamp, white	2	France only
	GLB472	£5.40	BULB, headlamp, halogen H4, 60/55W	2	standard bulb
	GLB484	£6.40	BULB, headlamp, halogen H4, 100/90W	2	not road legal
	GLB472X	£10.80	BULB, headlamp, Xenon H4, 60/55W	2	
	GLB472BLU	£10.80	BULB, headlamp, Xenon H4, 60/55W	2	blue tint
3	GLB233	£0.83	BULB, side lamp, bayonet	2	
	GLB501	£0.77	BULB, side lamp, capless, push fit	2	
4	SML3	£15.20	BUCKET, headlamp, metal	2	
	SML3P	£17.10	BUCKET, headlamp, plastic	2	
Note: SML3P does not require the inner mounting ring or outer lamp retainer. It comes complete with adjusters, rubber seal and body fixings. Still requires 500929 chrome rim.					
5	009403	£3.80	SEAL, bucket to body	2	
6	569313	£0.73	RIVET, lamp to wing	8	
7	GHF426	£0.22	SCREW	8	alternatives
8	GHF713	£0.43	SPIRE CLIP	8	
9	BHM7058	£4.40	ADJUSTER KIT	2	
10	27H6481	£24.00	MOUNTING RING, inner, plastic	2	
	SML4	£9.50	MOUNTING RING, inner, metal	2	
11	515218A	£5.80	RIM, lamp unit retaining	2	
12	AB606021	£0.36	SCREW, rim retaining	6	
13	BAU2111	£11.74	HARNESSES, headlamp	2	saloon with side lamp holder
	BAU2110	£5.20	HARNESSES, headlamp	2	clubman without side lamp
14	500929	£19.20	RIM, chrome	2	
	DHF100060	£75.40	RIM, chrome	2	levelling headlamps only
15	RTC465	£0.60	SCREW, headlamp rim	2	
16	37H7421A	£1.90	SPIRE CLIP, headlamp rim	2	

Halogen Conversion Kits

Note: Halogen headlamp conversion kits. Kits include 2 lamp units, bulbs and side light fittings. Also available are kits for Clubman models without side lamp fitted in the headlamp.

GAC4023	£110.00	HEADLAMP KIT, Lucas, halogen H4	1	RHD
GAC4023Z	£54.60	HEADLAMP KIT, Wipac, halogen H4	1	RHD
GAC4023X	£50.00	HEADLAMP KIT, Wipac, crystal H4	1	RHD
GAC4022	£44.50	HEADLAMP KIT, Wipac, halogen H4	1	RHD without side lamp
GAC4022X	£62.00	CRYSTAL LAMP KIT	1	RHD without side lamp
LULUB802	£102.00	HEADLAMP KIT, Lucas, halogen H4	1	LHD
WPS4699	£63.00	HEADLAMP KIT, Wipac, halogen H4	1	LHD
£63.00	£63.00	HID CONVERSION KIT, H4	1	upgrade H4 halogen headlamps
		(Use with H4 headlamp conversion).		

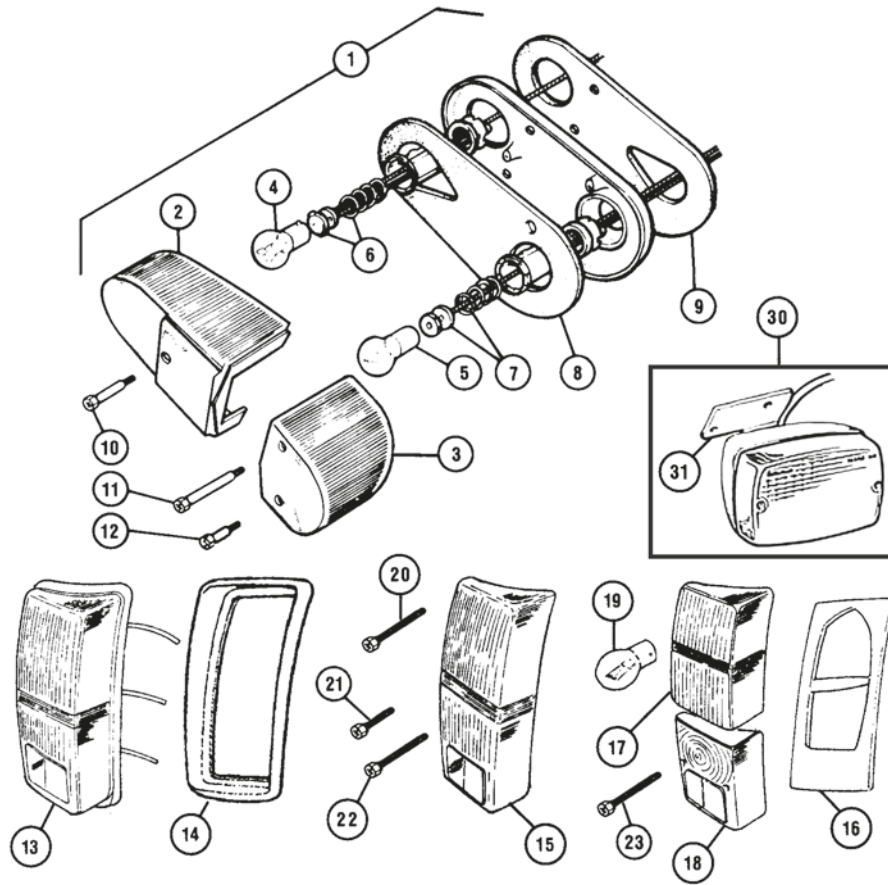
iii. Part Number Price £ea. Description Req. Details



iii. Part Number Price £ea. Description Req. Details

Front Indicator & Side Repeater Lamps

1	CHM13	£8.90	LAMP, indicator, plastic amber lens	2	To 1986
	2A9013	£16.30	LAMP, indicator, glass amber lens	2	alternatives
2	508162	£2.54	SEAL, rubber	2	
3	37H5528	£6.30	HOLDER, bulb	2	
4	GLB382	£0.48	BULB, single filament	2	
5	37H5520	£6.90	LENS, amber glass	2	
	37H5520Z	£5.40	LENS, amber glass	2	aftermarket
	37H8130	£3.00	LENS, amber plastic	2	alternative
6	7H5182	£2.40	RIM, lens retaining	2	
7	AFU3389	£7.60	LAMP, indicator, screw on lens	2	
8	CDU3374	£3.38	LENS, amber, screw fixing	2	1987-On
	CDU3374W	£3.00	LENS, white, screw fixing	2	
9	GLB382	£0.48	BULB, single filament	2	
	GLB343	£2.05	BULB, amber, single filament	2	
			(Required when fitting clear indicator lens).		
10	AB60601SS	£0.53	SCREW, lens retaining	2	
11	GHF421	£0.14	SCREW, lamp to body	6	
12	AK606021	£0.95	SPIRE CLIP, on body	6	
	AAU3296A	NCA	REPEATER LAMP	2	
13	AHU2592	£4.50	REPEATER LENS	2	
	AHU2592W	£6.16	REPEATER LENS, white	2	
14	DCP8004	NCA	HOLDER, bulb	2	1986-On
15	AFU3112	£0.80	SEAL, bulb holder	2	
16	GLB501	£0.77	BULB	2	
	GLB501X	£1.43	BULB, amber	2	
			(Required when fitting clear indicator lens).		
NI	AFU3358	£33.00	LOOM, indicator side repeater	2	



iii. Part Number Price £ea. Description Req. Details

Rear Lamp Assemblies

Mkl Models

1	BHA4228	£55.00	LAMP ASSEMBLY, rear, RH	1	
	BHA4229	£55.00	LAMP ASSEMBLY, rear, LH	1	
2	47H5363	£9.50	LENS stop/tail, RH	1	
	47H5358	£9.50	LENS stop/tail, LH	1	
3	47H5362	£9.30	LENS, indicator, RH	1	} amber
	47H5355	£9.30	LENS, indicator, LH	1	
4	GLB380	£0.48	BULB, stop/tail, dual filament	2	
5	GLB382	£0.48	BULB, flasher, single filament	2	
6	37H5459	£3.25	TERMINAL KIT, bulb socket	2	} twin contact
7	37H5452	£3.00	TERMINAL KIT, bulb socket	2	
8	47H5360	£4.20	GASKET, lens to base	2	} single contact
9	57H5399	£3.50	GASKET, lamp to body	2	
	47H5356K	£2.70	SCREW SET, lens retaining	2	
10	47H5359	£1.43	SCREW, stop/rear light lens	2	
11	47H5356	£1.80	SCREW, flasher lens, long	2	
12	47H5357	£1.36	SCREW, flasher lens, short	2	

Mkll on Models

There were several manufacturers of rear lamps during Mini production; Altissimo and Lucas/Carello. The Lucas/Carello type can be identified by the 'posts' which accept the lens retaining screws. Lucas/Carello are the most common type and are the type that are currently available.

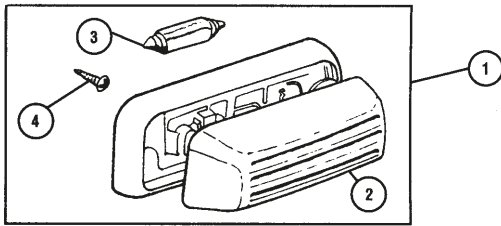
13	13H6479	£64.80	LAMP ASSEMBLY, RH	1	} without reverse light
	13H6480	£64.80	LAMP ASSEMBLY, LH	1	
	XFB10082	£98.00	LAMP ASSEMBLY, RH	1	} with reverse light and 2 piece lens
	XFB10082Z	£86.26	LAMP ASSEMBLY, RH, alternative	1	
	XFB10083	£98.00	LAMP ASSEMBLY, LH	1	
	XFB10083Z	£86.26	LAMP ASSEMBLY, LH, alternative	1	
14	37H2690	£8.40	SEAL, lamp to body, RH	1	} for lamps without reverse light
	37H2689	£8.40	SEAL, lamp to body, LH	1	
	37H2692	£11.20	SEAL, lamp to body, RH	1	} for Lucas type lamps
	37H2691	£11.20	SEAL, lamp to body, LH	1	
15	37H4838	£29.90	LENS, stop/tail & indicator, RH	1	} for lamps without reverse light
	37H4837	£29.90	LENS, stop/tail & indicator, LH	1	
16	37H6778	£1.75	SEAL, lens to lamp body	2	} for lamps without reverse light
	XFH100460	£3.60	SEAL, lens to lamp body	2	

iii. Part Number Price £ea. Description Req. Details

17	XFJ10026	£27.55	LENS, stop/tail & indicator, RH	1	} for Lucas type lamps
	XFJ10026Z	£9.10	LENS, stop/tail & indicator, RH, altern.	1	
	XFJ10027	£27.55	LENS, stop/tail & indicator, LH	1	
	XFJ10027Z	£9.10	LENS, stop/tail & indicator, LH, altern.	1	
	AAU4946	£44.10	LENS SET, RH (Includes: stop/tail & indicator lens, reverse lens and seal & screws).	1	} for Altissimo type lamps
	AAU4947	NCA	LENS SET, LH (Includes: stop/tail & indicator lens, reverse lens and seal & screws).	1	
	GAC4617	£16.80	CLEAR LENS SET, stop/tail & indicator (Includes: clear stop/tail & indicator lenses only. Bulbs and seals sold separately. Requires bulbs: 2 x GLB343 and 2 x GLB380R).	1	} use with Lucas type lamps only
18	XFJ10028	£19.90	LENS, reverse lamp, RH	1	
	XFJ10028Z	£8.70	LENS, reverse lamp, RH, alternative	1	} for Lucas type lamps
	XFJ10029	£19.90	LENS, reverse lamp, LH	1	
	XFJ10029Z	£8.70	LENS, reverse lamp, LH, alternative	1	
19	GLB382	£0.48	BULB, single filament (Clear bulb for standard coloured lenses).	a/r	} indicator/reverse
	GLB343	£2.05	BULB, single filament, indicator (Amber tinted bulb for clear indicator lenses only).	a/r	
	GLB380	£0.48	BULB, twin filament, stop/tail (Clear bulb for standard coloured lenses).	a/r	
	GLB380R	£2.50	BULB, twin filament, stop/tail (Red tinted bulb for clear indicator lenses only).	a/r	
20	PMP214	£0.70	SCREW, top	2	} without reverse lamp
21	PMP214	£0.70	SCREW, bottom, short	2	
22	518868	£0.77	SCREW, bottom, long	2	
23	XYP100310	NCA	SCREW, lens retaining	6	} with reverse lamp

Rear Fog Lamps

30	XFE10006	£25.90	FOG LAMP, rear, without bracket	1	RHD
	XFE10007	£30.60	FOG LAMP, rear, with bracket	1	LHD
31	XFU10002	NCA	BRACKET, fog lamp RHD	1	RHD
	XFU10003	NCA	BRACKET, fog lamp LHD	1	LHD
	GAC9400X	£33.60	BRACKET, fog lamp (Relocates fog lamp when fitting overriders).	1	RHD

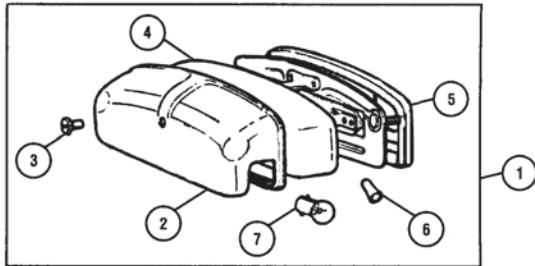


ill. Part Number Price £ea. Description Req. Details

Miscellaneous Lamps

Interior Lamps

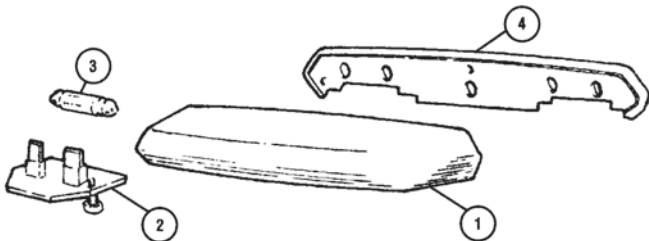
1	13H8919	NCA	INTERIOR LAMP, clear cover	1	To 1976
	EAM1650	£12.10	INTERIOR LAMP, white cover	1	1976-85
	AFU3003	NCA	INTERIOR LAMP, in headlining	1	1985-On
2	37H5923	NCA	LENS, for lamp 13H8919	1	
	24G3389	£7.00	LENS, for lamp EAM1650	1	
3	GLB239	£0.80	BULB, festoon	1	
4	AB606051	£0.41	SCREW, lamp retaining	2	



ill. Part Number Price £ea. Description Req. Details

Mkl Number Plate Lamp

1	127916BLK	£33.10	NUMBER PLATE LAMP, black, OE	1	Mkl
	127916	£26.40	NUMBER PLATE LAMP, chrome	1	} alternative
	127916Z	£14.70	NUMBER PLATE LAMP, plastic	1	
2	502264	£12.10	COVER CHROME	1	
3	17H5385	£2.20	SCREW, lens cover to back plate	1	
4	601721A	£5.60	LENS, clear glass	1	
5	57H5368	£3.90	GASKET	1	
6	27H6713	£1.70	CONNECTOR, bullet terminal	2	
7	GLB989	£0.90	BULB	2	



ill. Part Number Price £ea. Description Req. Details

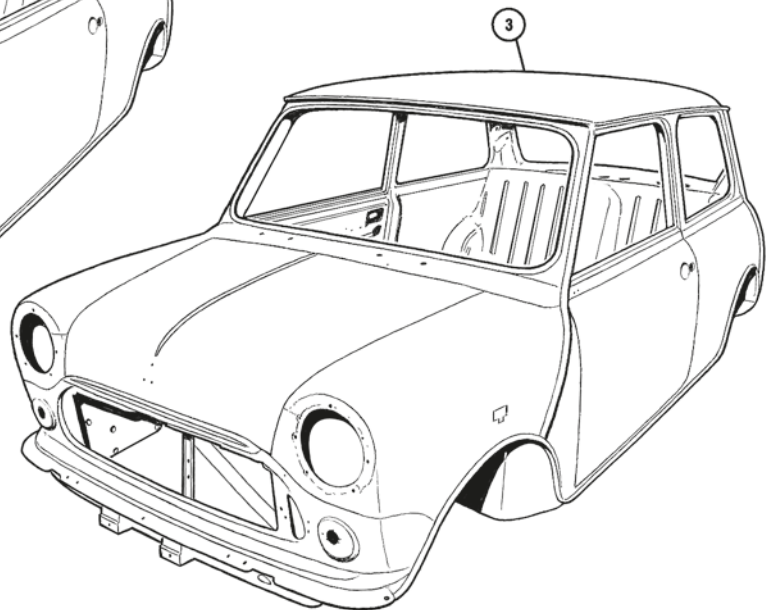
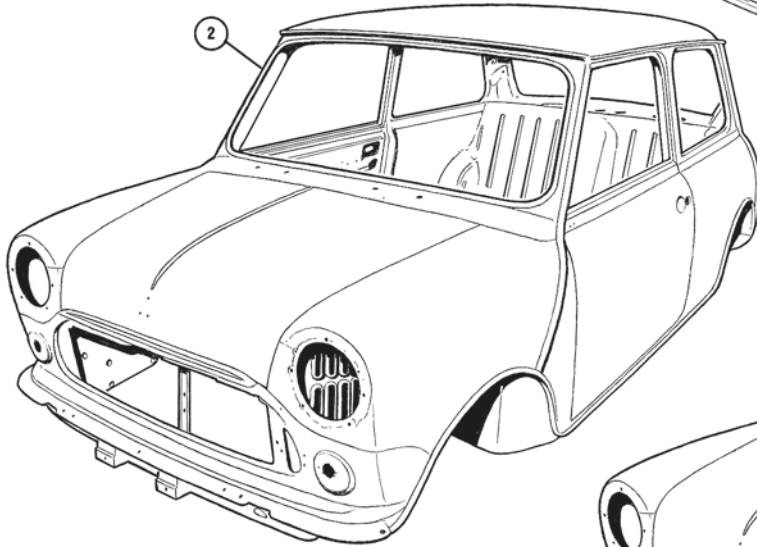
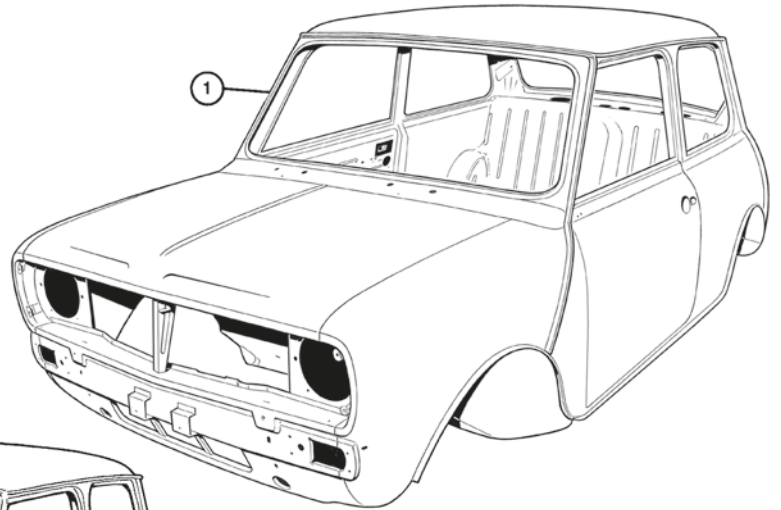
MklIII Number Plate Lamp

1	13H6900	£27.10	BODY, number plate lamp	1	MklIII, unpainted
	GAC4614	£17.60	BODY, number plate lamp	1	MklIII, chromed metal body
2	PRC1230A	£8.00	LENS, number plate lamp	2	
3	GLB239	£0.80	BULB, festoon	2	
4	13H6010	£4.55	GASKET, lamp body to boot lid	1	



British Motor Heritage Certificate of Authenticity

When you purchase a BMH bodyshell from Moss Europe, you will receive a Certificate of Authenticity from British Motor Heritage. Confirming: BMH manufacture, date of purchase, body style and number.



iii. Part Number Price £ea. Description Req. Details

British Motor Heritage Bodyshells

If your car needs major bodywork repairs a new bodyshell may be the best option. The cost is less than you think, by the time you add in the labour cost of fitting body parts it may well be the cheapest option.

British Motor Heritage shells are built using the original assembly jigs. Long life is ensured by the use of zinc coated steel in rust prone areas, the shells are finished in motor industry standard black electrocoat. The shells are completely immersed in an electrically charged tank of anodic etch primer. This ensures the best possible coverage and paint ingress into all area of the body. The shells listed below come with doors, bonnet and bootlid, they are also available without these bolt-ons please contact your branch for details.

Bodyshell policy

1. Bodyshells are purchased with a 30% deposit as a special order item and customers must pay all delivery charges.
2. When bodyshells are received, the customer will be notified & delivery will take within 21 days.
3. There will be storage charge (call) per day drawn from the deposit beginning on the 22nd day following notification if the customer is unable to take delivery.
4. If delivery is not taken within 30 days, the remaining deposit money will be returned to the customer and the order cancelled.

Clubman bodyshell

The Heritage Clubman bodyshell is a direct replacement for 1976 on Clubman models with rubber mounted subframes. It can be used for earlier cars with some modifications, 1972-76 cars will need the subframes replacing with the rubber mounted versions, 1969-72 models had a different gear shift mechanism that will need some modifications to the bodyshell.

1 CZH594 £9,297.50 BODYSHELL, Clubman 1

iii. Part Number Price £ea. Description Req. Details

MkIV bodyshell

The MkIV bodyshell is suitable for all models 1976 to 1989 with rod change and rubber mounted subframes. As with the Clubman shell this can be fitted to 1972-76 models by changing to rubber mounted subframes. For earlier models more modifications will be necessary.

The bodyshell comes with front wings without repeater holes, roof without aerial holes, slatted inner wing for side mounted radiators and the MkIV grille panel. The dashboard bulkhead panel includes the large 'rotodip' aperture making access to the centre binnacle easier. Rear seatbelt mountings are fitted and front seatbelt mountings are in the pre-1977 locations. Doors supplied with side impact bars fitted.

2 BMP343 £8,951.00 BODYSHELL, MkIV 1

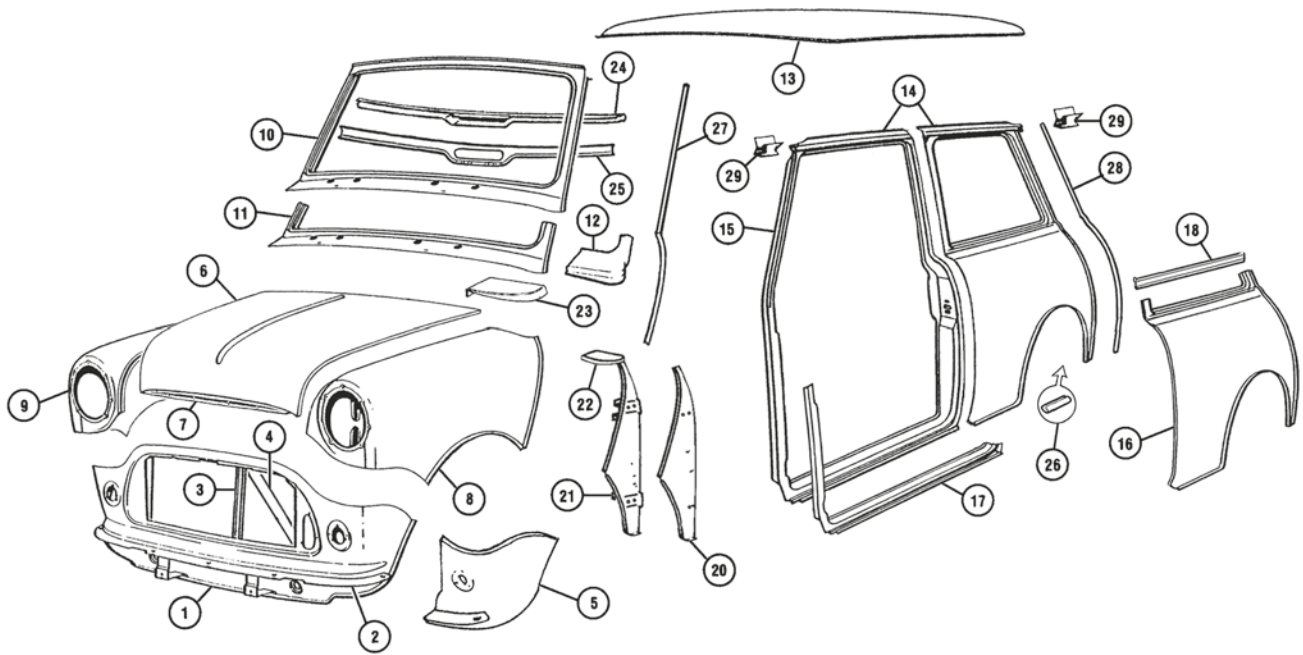
The MkIV throttle body injection (TBI) shell is most suitable for MkIV 1990-1996 models. This bodyshell has the large round hole in the inner wing for the cooling fan.

2 AAA36002 £8,951.00 BODYSHELL, MkIV 1 for throttle body injection

MkV bodyshell

These bodyshells are for cars produced from 1997 onwards, available to either standard or Sports Pack specification. Latest specification brackets for airbag sensor, alarm and boot mounted washer bottle are not included. Compatible with front mounted radiators.

3 AAA360200 £8,951.00 BODYSHELL, MkV, standard 1
 AAA360210 £8,951.00 BODYSHELL, MkV, Sports-Pack 1



ill. Part Number Price £ea. Description

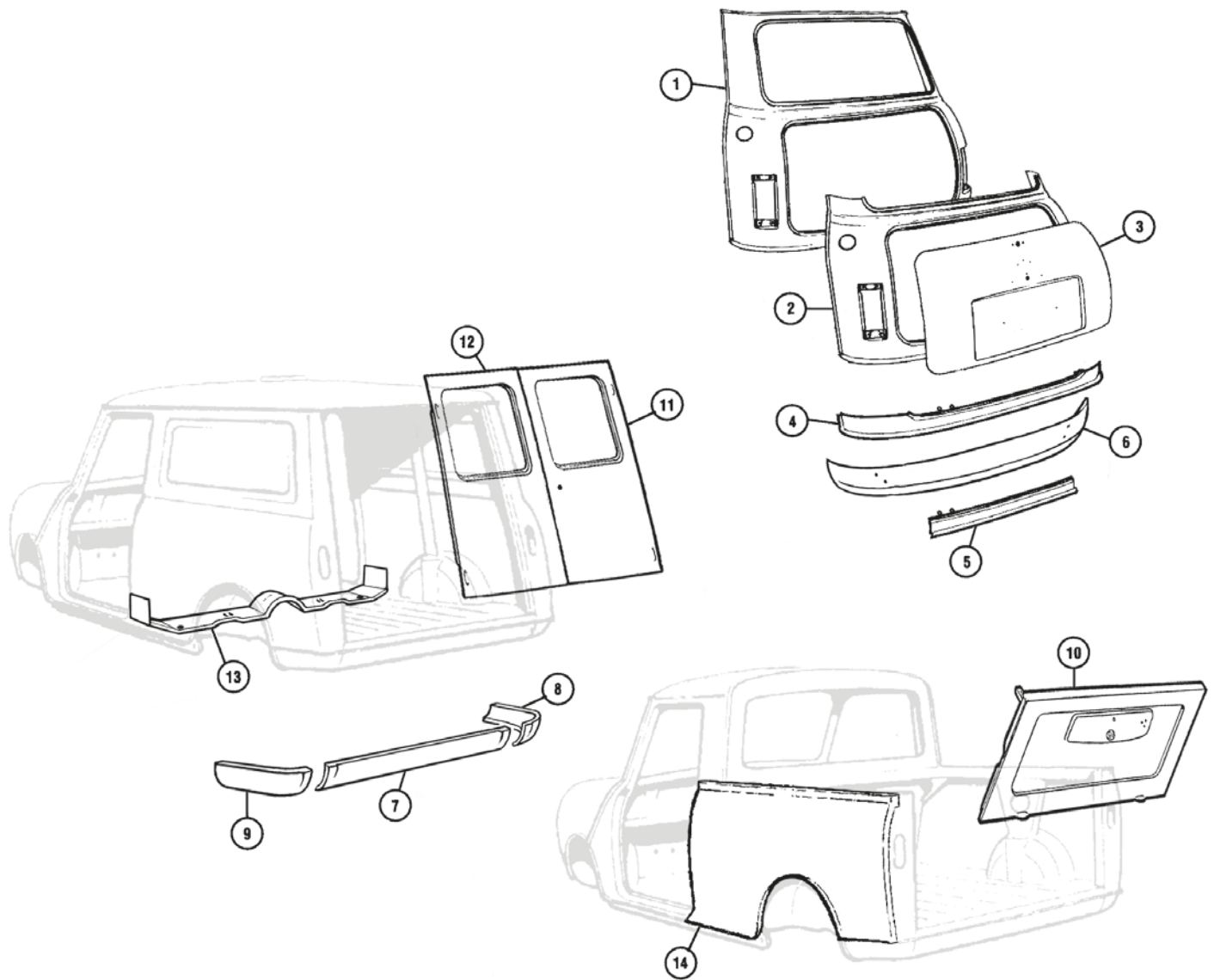
Front & Side Body Panels

Saloon Models

	Part Number	Price £ea.	Description	Req.	Details
1	14A8308	£213.70	FRONT PANEL	1	1964-75
	MBP9026	£141.60	FRONT PANEL	1	To 1976
	ALA8619	£213.70	FRONT PANEL	1	1976-89
	ALA8619Z	£101.10	FRONT PANEL, aftermarket	1	1976-89
	ASJ36002	£213.70	FRONT PANEL	1	1990-96
	ASJ360070	£213.70	FRONT PANEL	1	1996-On
2	BMP103	£19.10	BUMPER MOUNTING RAIL	1	all models
3	ALA4583	£10.80	SUPPORT, slam panel, vertical	1	To 1996
4	24A1918	£13.50	SUPPORT, slam panel, diagonal	1	with oil cooler
5	MBP9001	£79.20	REPAIR PANEL, lower front panel, RH	1	aftermarket
	MBP9002	£79.20	REPAIR PANEL, lower front panel, LH	1	aftermarket
6	24A1182	£201.50	BONNET	1	1959-67
	ALA8430	£201.50	BONNET	1	van & pickup 1972-83
	ALA7455	£201.50	BONNET	1	1967-69
	CZH455	£201.50	BONNET	1	1970-96
	CZH455Z	£185.00	BONNET, aftermarket	1	1970-96
	BKA360070	£201.50	BONNET	1	1997-On
	BKA360110	£201.50	BONNET	1	1997
7	ALA6664	£20.20	BRACKET, bonnet moulding lip	1	1967-On
8	14A7240	£116.00	WING, RH	1	To 1986
	14A7241	£116.00	WING, LH	1	
	14A6476Z	£80.20	WING, RH, aftermarket	1	no side repeater
	14A6477Z	£80.20	WING, LH, aftermarket	1	hole, To 1986
	BMP454	£116.00	WING, RH	1	with side repeater
	BMP454Z	£83.50	WING, RH, aftermarket	1	hole, 1986-On
	BMP455	£116.00	WING, LH	1	with side repeater &
	BMP455Z	£83.50	WING, LH, aftermarket	1	aerial hole, 1986-On
	ASB360010	£116.00	WING, LH	1	with side repeater hole, no aerial hole
9	14A6693	£13.50	HEADLAMP RING	2	1959-86
10	CZH3140	£237.90	WINDSCREEN FRAME	1	1970-On
11	HMP441001	£152.70	REPAIR PANEL, scuttle, full	1	windscreen lower
	MBP9000	£90.40	REPAIR PANEL, scuttle, full, aftermarket	1	panel
12	MBP9005	£27.40	REPAIR PANEL, RH, aftermarket	1	windscreen lower
	MBP9006	£27.40	REPAIR PANEL, LH, aftermarket	1	corner
13	14A5503	£448.80	ROOF PANEL, no aerial	1	1969-96
14	CZH430	£404.00	SIDE PANEL, RH, complete	1	1970-On
	CZH431	£404.00	SIDE PANEL, LH, complete	1	

ill. Part Number Price £ea. Description

	Part Number	Price £ea.	Description	Req.	Details
15	CZH122	£134.70	DOOR SURROUND, RH	1	1970-On
	CZH123	£134.70	DOOR SURROUND, LH	1	
16	HMP441014	£134.70	QUARTER PANEL, rear, RH	1	
	MBP9019	£45.90	QUARTER PANEL, rear, RH, aftermarket	1	lower section below
	HMP441015	£134.70	QUARTER PANEL, rear, LH	1	window line, 1970-On
	MBP9020	£45.90	QUARTER PANEL, rear, LH, aftermarket	1	
17	HMP441012	£96.20	DOOR STEP REPAIR, RH	1	1970-On
	HMP441013	£96.20	DOOR STEP REPAIR, LH	1	
18	CZH426	£54.40	WAIST RAIL ASSEMBLY, RH	1	1970-On
	CZH427	£54.40	WAIST RAIL ASSEMBLY, LH	1	
20	14A6901	£41.70	A PANEL, outer, RH	1	
	14A6901Z	£16.50	A PANEL, outer, RH, aftermarket	1	1959-69
	14A6902	£41.70	A PANEL, outer, LH	1	
	14A6902Z	£16.50	A PANEL, outer, LH, aftermarket	1	
	ALA5660	£25.60	A PANEL, outer, RH	1	
	ALA5660Z	£17.10	A PANEL, outer, RH, aftermarket	1	1970-On
	ALA5661	£25.60	A PANEL, outer, LH	1	
	ALA5661Z	£17.10	A PANEL, outer, LH, aftermarket	1	
21	14A8346	£79.50	A PANEL, inner, RH	1	1959-69
	14A8346Z	£43.50	A PANEL, inner, RH, aftermarket	1	
	14A8347	£79.50	A PANEL, inner, LH	1	1959-69
	14A8347Z	£43.50	A PANEL, inner, LH, aftermarket	1	
22	14A8348	£15.40	GUSSET, A post, RH	1	top of A post
	14A8349	£15.40	GUSSET, A post, LH	1	1959-69
23	MBP9007	£9.30	REPAIR PANEL, closing, RH, aftermarket	1	fitch to scuttle
	MBP9008	£9.30	REPAIR PANEL, closing, LH, aftermarket	1	1970-On
24	14A6675	£41.10	DASH RAIL, top	1	all models
25	BMP201	£56.20	DASH RAIL, bottom	1	1970-On
26	14A6782	£3.40	SEAM COVER LOWER, rear	2	all models
27	BMP127	£18.90	MOULDING, front seam	2	
	BMP127Z	£13.00	MOULDING, front seam, aftermarket	2	
28	BMP124	£18.95	MOULDING, rear seam, RH	1	
	BMP124Z	£15.40	MOULDING, rear seam, RH, aftermarket	1	
	BMP125	£18.95	MOULDING, rear seam, LH	1	
	BMP125Z	£14.10	MOULDING, rear seam, LH, aftermarket	1	
	8B12400	£26.40	MOULDINGS, front, pair	1	stainless steel
	8B12401	£26.40	MOULDINGS, rear, pair	1	
29	GHF1560	£0.36	CLIP	a/r	for body seam moulding
	BMP128MS	£0.36	CLIP, stainless steel	a/r	for body seam moulding

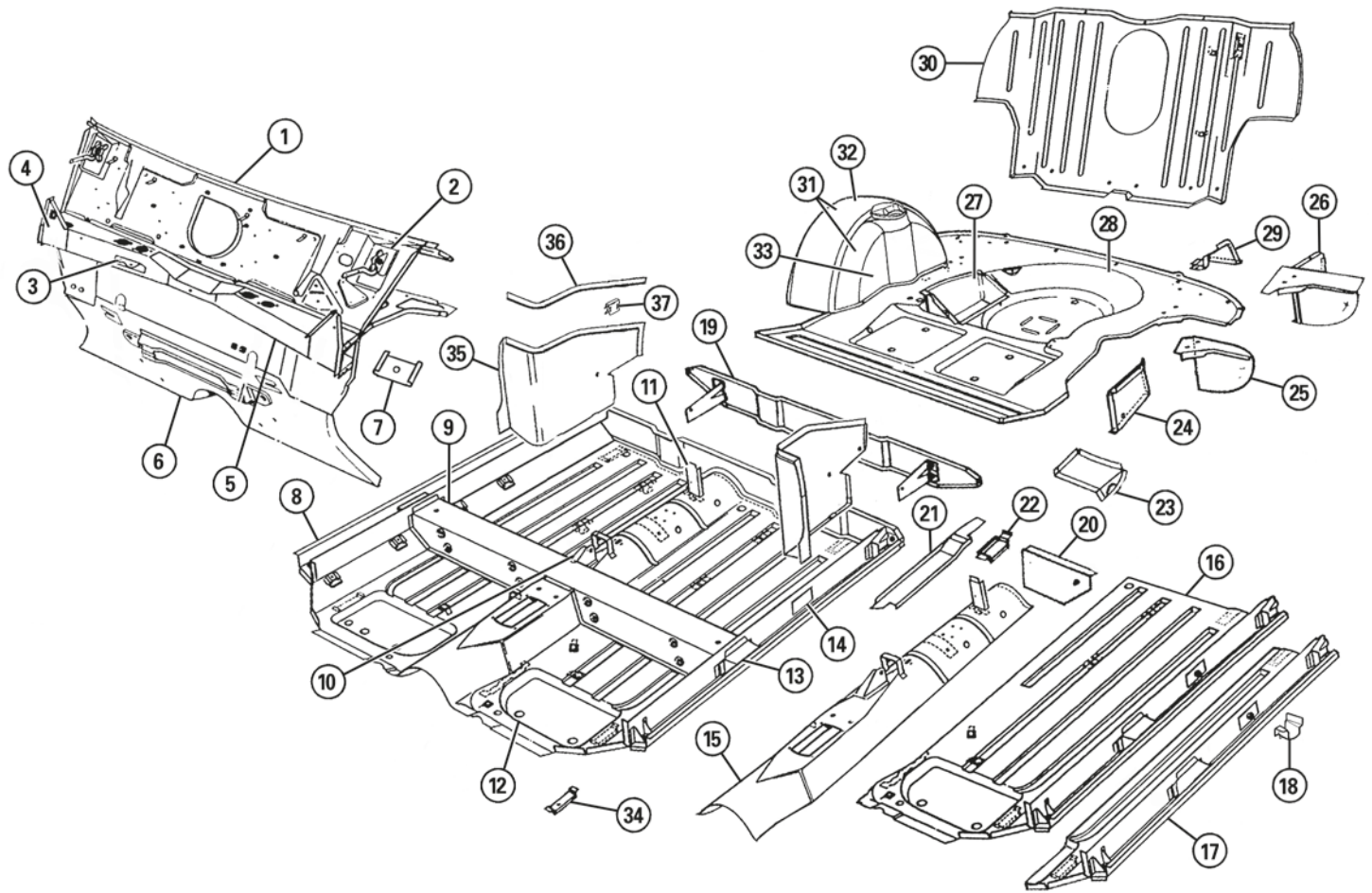


Part Number	Price £ea.	Description	Req.	Details
Rear Body Panels				
Saloon, Van & Pickup Models				
1 HMP441046	£372.50	REAR PANEL, complete	1	Mkl rear lamps
HMP441022	£329.80	REAR PANEL, complete	1	1967-89
ALA6417	£329.80	REAR PANEL, complete	1	with alarm bracket 1990 on
Note: The rear panel HMP441046 from BMH is supplied complete with Mkl lamp and bootlid apertures. However, the rear window aperture is only for models from 1967 (Mkl) on, when the screen changed to a larger one. The complete rear panel is not available with the original Mkl size rear window aperture as the pressing is made from Mkl tooling. If you have a Mkl this panel can be used as a repair section and cut to suit individual requirements.				
GAC8452X	£26.40	LAMP PANEL KIT, welded in	1	retro fit Mkl lamps into Mkl & MklIII body
2 HMP441019	£244.30	REAR PANEL, REPAIR	1	1967-On
3 28G110	£366.40	BOOT LID ASSEMBLY	1	1959-69
HMP441051	£126.00	BOOT LID SKIN, aluminium	1	1959-69
BMP339	£226.00	BOOT LID ASSEMBLY	1	1970-89
BMP339Z	£132.00	BOOT LID ASSEMBLY, aftermarket	1	seal on boot lid
BMD36001	£226.00	BOOT LID ASSEMBLY	1	1990-On seal on bodysell
BMP102	£71.40	SKIN, boot lid	1	1970-On
4 HMP441009	£224.40	BOOT HINGE PANEL	1	1967-On
5 HMP441026	£89.00	LOWER REAR PANEL CENTRE	1	1967-On hinge, panel repair

Part Number	Price £ea.	Description	Req.	Details
6 14A5497	£62.80	REAR VALANCE	1	all saloons
14A6940	£62.80	REAR VALANCE	1	1959-69 no holes
CZH3353	£62.80	REAR VALANCE	1	1980-On including fog lamp mount
CZH3353Z	£29.70	REAR VALANCE, reproduction	1	1980-On
7 14A8154	£45.00	REAR APRON CENTRE PANEL	1	all vans & pickups
14A8154Z	£34.50	REAR APRON CENTRE PANEL	1	
8 14A6908	£25.80	REAR APRON CORNER, RH	1	
14A6908Z	£17.20	REAR APRON CORNER, RH	1	
9 14A6909	£25.80	REAR APRON CORNER, LH	1	
14A6909Z	£17.20	REAR APRON CORNER, LH	1	
10 CZH3293	£288.50	TAILGATE	1	pickup
11 14A8096	£299.20	REAR DOOR, RH	1	van & estate
12 14A8097	£299.20	REAR DOOR, LH	1	van & estate
13 14A9023	£79.50	FLOOR EXTENSION	1	commercials
14 14A7555	£232.50	SIDE PANEL, RH	1	pickup
14A7556	£232.50	SIDE PANEL, LH	1	pickup

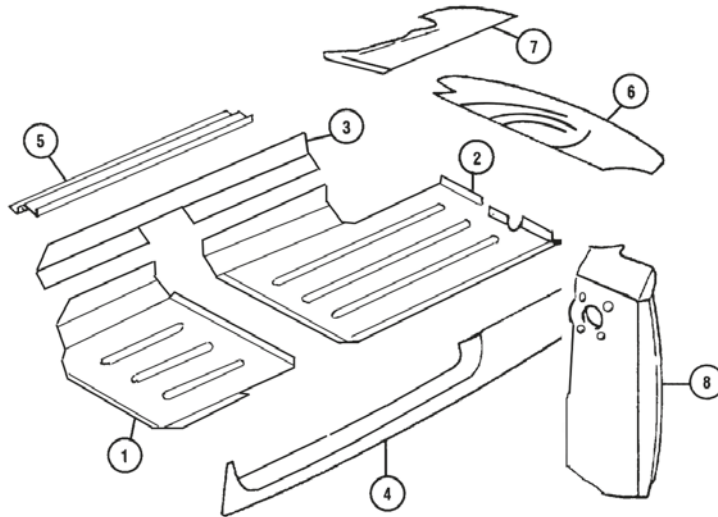
Wood Kit Countryman Estate

HMP341002	£1,164.60	WOOD TRIM KIT	1
HMP341002FK	£44.40	FIXING KIT, wood trim	1



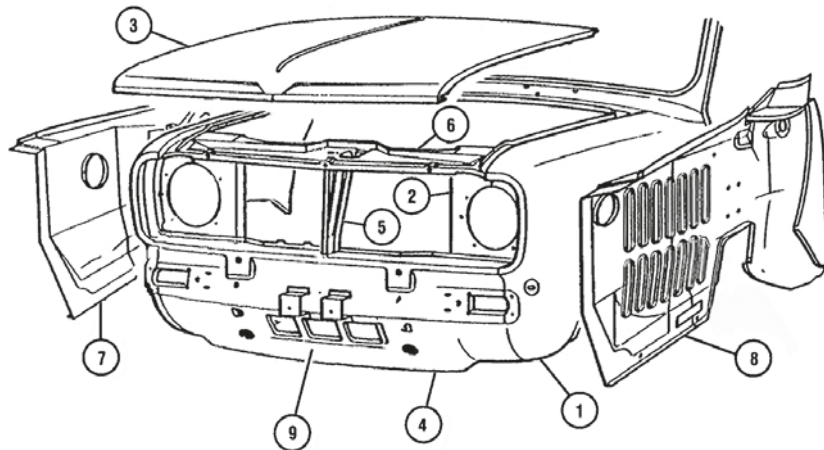
ill.	Part Number	Price £ea.	Description	Req.	Details
Underframe					
1	CZH3216	£509.50	BULKHEAD ASSEMBLY, complete	1	1976-89
	AHA36005	£348.50	BULKHEAD ASSEMBLY, complete	1	1990-On
2	14A7246	£37.90	HINGE, bonnet, RH	1	1959-69
	14A7247	£37.90	HINGE, bonnet, LH	1	
	BMP348	NCA	HINGE, bonnet, RH	1	
	BMP349	NCA	HINGE, bonnet, LH	1	
	HMP441027	£40.50	HINGE SET, bonnet	1	
3	14A6730	£11.20	BRACKET, engine stabiliser	1	
4	AHP36001	£33.70	BRACKET, crossmember to dash, RH	1	1970-On
	AHP36007	£33.70	BRACKET, crossmember to dash, LH	1	
5	AHC36003R	£67.50	CROSSMEMBER, half, RH	1	1970-On
	AHC36003L	£67.50	CROSSMEMBER, half, LH	1	
6	AHA36006	£118.00	TOEBOARD	1	
	AHA36007	£89.80	TOEBOARD, lower repair section	1	1990-On
7	CZG1496	£2.20	BRACKET, washer bottle	1	
8	BHM3	£32.20	SILL, outer, 6" wide, RH, aftermarket	1	saloon 1959-69
	BHM4	£32.20	SILL, outer, 6" wide, LH, aftermarket	1	
	14A9534	£45.80	SILL, outer, 4" wide, RH, genuine	1	
	14A9534Z	£26.10	SILL, outer, 4.5" wide, RH, aftermarket	1	
	14A9535	£45.80	SILL, outer, 4" wide, LH, genuine	1	
	14A9535Z	£26.10	SILL, outer, 4.5" wide, LH, aftermarket	1	saloon 1970-On
	HMP441028	£88.00	SILL KIT, outer, 6" wide, RH, genuine	1	
	14A9026	£37.50	SILL, outer, 4" wide, RH, genuine	1	van & estate
	14A9027	£37.50	SILL, outer, 4" wide, LH, genuine	1	
9	CZH2675	£64.80	CROSSMEMBER, under seat, complete	1	1970-On
	CZH2675R	£56.20	CROSSMEMBER, under seat, half, RH	1	
	CZH2675L	£56.20	CROSSMEMBER, under seat, half, LH	1	
	CZH3214	£13.30	BRACKET, handbrake mounting	1	
10	CZH3214	£13.30	BRACKET, handbrake mounting	1	
11	14A6624	£11.80	SUPPORT, rear seat to tunnel	1	
12	ADA36002E	£737.40	FLOOR ASSEMBLY, complete	1	1976-89
	ADA36002	£737.40	FLOOR ASSEMBLY, complete	1	1990-On
	CZH2669	£262.90	FLOOR PANEL, main	1	
	HMP441004	£121.80	FLOOR PANEL, half, RH	1	1976-On rod change
	HMP441005	£121.80	FLOOR PANEL, half, LH	1	
13	14A8374	£19.00	EXTENSION, crossmember, RH	1	
	14A8375	£19.00	EXTENSION, crossmember, LH	1	
14	24A2186	£8.90	PLATE, seatbelt mounting	2	1964-On
15	ADA36002EC	£128.60	TUNNEL ASSEMBLY	1	1976-On
	ADA36002C	£128.60	TUNNEL ASSEMBLY	1	1990-On
16	ADA36002RH	£314.20	FLOOR & SILL ASSEMBLY, half, RH	1	1990-On
	ADA36002LH	£314.20	FLOOR & SILL ASSEMBLY, half, LH	1	
17	ADA36002RQ	£250.10	FLOOR & SILL ASSEMBLY, repair, RH	1	1990-On
	ADA36002LQ	£250.10	FLOOR & SILL ASSEMBLY, repair, LH	1	to first groove on floor

ill.	Part Number	Price £ea.	Description	Req.	Details
18	14A8336	£2.50	JACKING POINT, RH	1	
	14A8337	£2.50	JACKING POINT, LH	1	
19	HMP441008	£85.90	HEELBOARD, complete	1	
	HMP441006	£41.70	HEELBOARD, half, RH	1	
	HMP441007	£41.70	HEELBOARD, half, LH	1	
20	MBP9017	£25.90	HEELBOARD, repair, RH	1	
	MBP9018	£25.90	HEELBOARD, repair, LH	1	
21	14A8994	£16.90	CLOSING PANEL, comp. box, RH	1	
	14A8995	£16.90	CLOSING PANEL, comp. box, LH	1	
22	24A42	£8.80	BRACKET, sling, rear, RH	1	
	24A43	£8.80	BRACKET, sling, rear, LH	1	
23	14A6611	£16.30	CLOSING PANEL, wheel arch, RH	1	
	14A6612	£16.30	CLOSING PANEL, wheel arch, LH	1	
24	ALA5532	£15.00	BRACKET, boot floor to bulkhead, RH	1	saloon 1967-On
	ALA5533	£15.00	BRACKET, boot floor to bulkhead, LH	1	
25	ALA5524	£32.90	CLOSING PANEL, plain, rear valance	1	RH
	MBP9013	£21.00	CLOSING PANEL, plain, rear valance	1	RH, aftermarket
	ALA5525	£32.90	CLOSING PANEL, plain, rear valance	1	LH
	MBP9014	£21.00	CLOSING PANEL, plain, rear valance	1	LH, aftermarket
26	HMP441020	£43.80	CLOSING PANEL ASSY. rear valance (Complete with gusset & stiffener).	1	RH
	HMP441021	£43.80	CLOSING PANEL ASSY. rear valance (Complete with gusset & stiffener).	1	LH
27	14A6499	£63.50	BATTERY BOX	1	
	14A6499Z	£26.80	BATTERY BOX	1	aftermarket
28	HMP441016	£266.70	BOOT FLOOR ASSEMBLY (With battery box).	1	
	ALA5513	£224.40	BOOT FLOOR ASSEMBLY (Without battery box).	1	
29	14A6609	£23.10	BRACKET, rear subframe mounting	1	RH
	14A6610	£23.10	BRACKET, rear subframe mounting	1	LH
30	24A2204	£168.60	BULKHEAD, seat back	1	
31	14A9558	£103.90	WHEEL ARCH ASSEMBLY, rear, RH	1	
	14A9559	£103.90	WHEEL ARCH ASSEMBLY, rear, RH	1	
32	14A6617	£43.60	WHEEL ARCH, outer, rear, RH	1	
	14A6618	£43.60	WHEEL ARCH, outer, rear, LH	1	
33	HMP441010	£59.60	TURRET, shock absorber mount, RH	1	
	HMP441011	£59.60	TURRET, shock absorber mount, LH	1	
	MBP9009	£36.40	TURRET, shock absorber mount	2	universal
34	24A41	£8.80	BRACKET, sling, front	2	
35	AD0360020	£43.80	COMPANION BOX ASSEMBLY, RH	1	1990-On
	AD0360030	£43.80	COMPANION BOX ASSEMBLY, LH	1	
36	ALA5828	£12.70	FINISHER, companion box, RH	1	
	ALA5829	£12.70	FINISHER, companion box, LH	1	
37	EYC10048	£0.72	CLIP, finisher	10	



ill.	Part Number	Price £ea.	Description	Req.	Details
Underframe Repair Panels					
1	BHM9	NCA	FLOOR PAN, front, RH	1	1969-On
	BHM9Z	£44.50	FLOOR PAN, front, RH, aftermarket	1	1969-On
	BHM10	NCA	FLOOR PAN, front, LH	1	1969-On
	BHM10Z	£44.50	FLOOR PAN, front, LH, aftermarket	1	1969-On
2	BHM11	NCA	FLOOR PAN, rear, RH	1	1969-On, saloon only
	BHM11Z	£59.70	FLOOR PAN, rear, RH, aftermarket	1	1969-On, saloon only
	BHM12	NCA	FLOOR PAN, rear, LH	1	1969-On, saloon only
	BHM12Z	£59.70	FLOOR PAN, rear, LH, aftermarket	1	1969-On, saloon only
3	MBP9023	£26.80	SILL, inner, RH, with cut out	1	all saloons

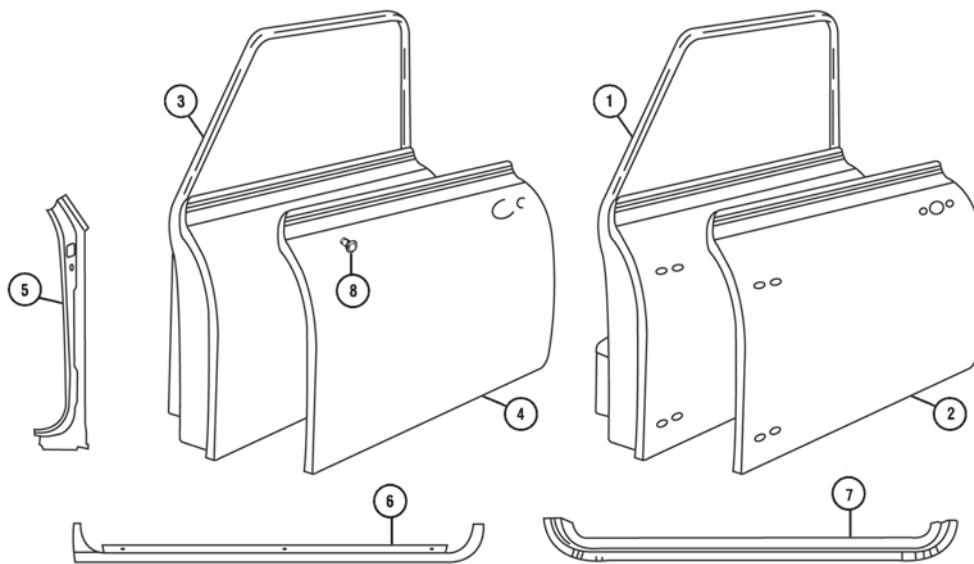
ill.	Part Number	Price £ea.	Description	Req.	Details
	MBP9024	£26.80	SILL, inner, LH, with cut out	1	all saloons
4	MBP9015	£61.80	DOOR STEP & QUARTER, repair, RH	1	1969-On
	MBP9016	£61.80	DOOR STEP & QUARTER, repair, LH	1	1969-On
5	BHM13	NCA	DOOR STEP, repair, OE	1	1969-On
	BHM13Z	£13.25	DOOR STEP, repair, aftermarket	1	1969-On
6	MBP9010	£35.80	BOOT FLOOR EDGE	1	1969-On
7	MBP9011	£24.40	BOOT FLOOR CORNER, RH	1	1969-On
	MBP9012	£24.40	BOOT FLOOR CORNER, LH	1	1969-On
8	ALA6278RP	£35.20	INNER WING, repair, RH	1	1969-On
	ALA6279RP	£35.20	INNER WING, repair, LH	1	1969-On



ill.	Part Number	Price £ea.	Description	Req.	Details
Front Body Panels Clubman					
1	CZH408	£129.30	FRONT WING, RH	1	
	CZH409	£129.30	FRONT WING, LH	1	
2	CZH120	£18.10	HEADLAMP MOUNTING, RH	1	
	CZH121	£18.10	HEADLAMP MOUNTING, LH	1	
3	CZH2609	£195.30	BONNET ASSEMBLY	1	
4	CZH563	£133.80	FRONT LOWER PANEL	1	1970-76
	AAM1022	£127.40	FRONT LOWER PANEL	1	1976-83

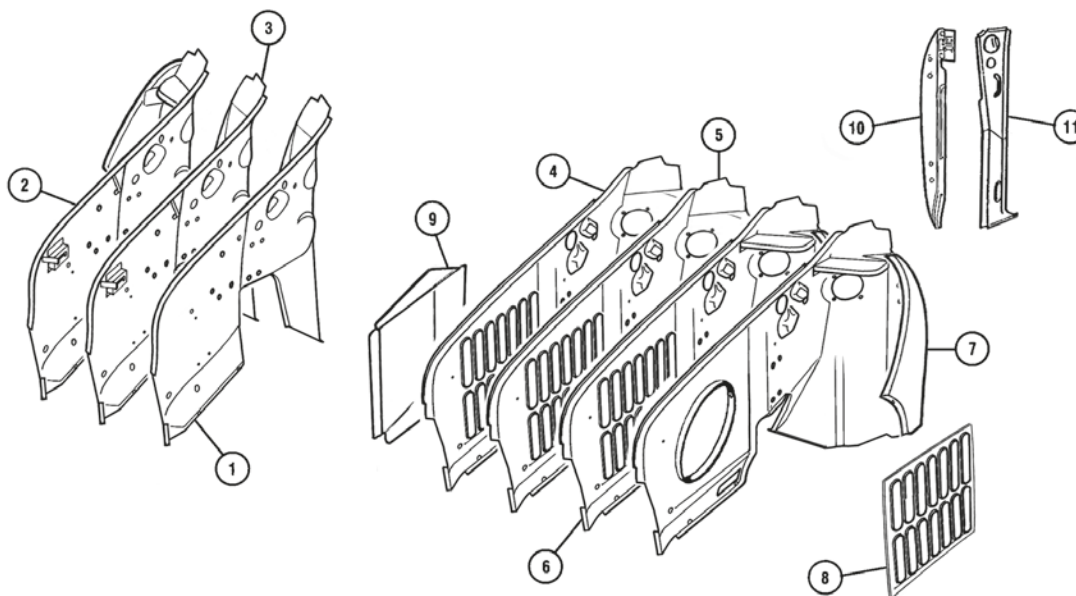
ill.	Part Number	Price £ea.	Description	Req.	Details
5	CZH155	£36.20	BONNET SUPPORT PANEL	1	
6	CZH149	£51.80	BONNET LANDING PANEL	1	
7	CZH410	£269.20	INNER WING WITH A POST, RH	1	
8	CZH567	£290.00	INNER WING WITH A POST, LH	1	
9	HMP441039	£266.30	FRONT PANEL COMPLETE*	1	1970-75
	HMP441040	£266.30	FRONT PANEL COMPLETE*	1	1976-83

*(Includes CZH120, CZH121, CZH563, CZH155 and CZH149).



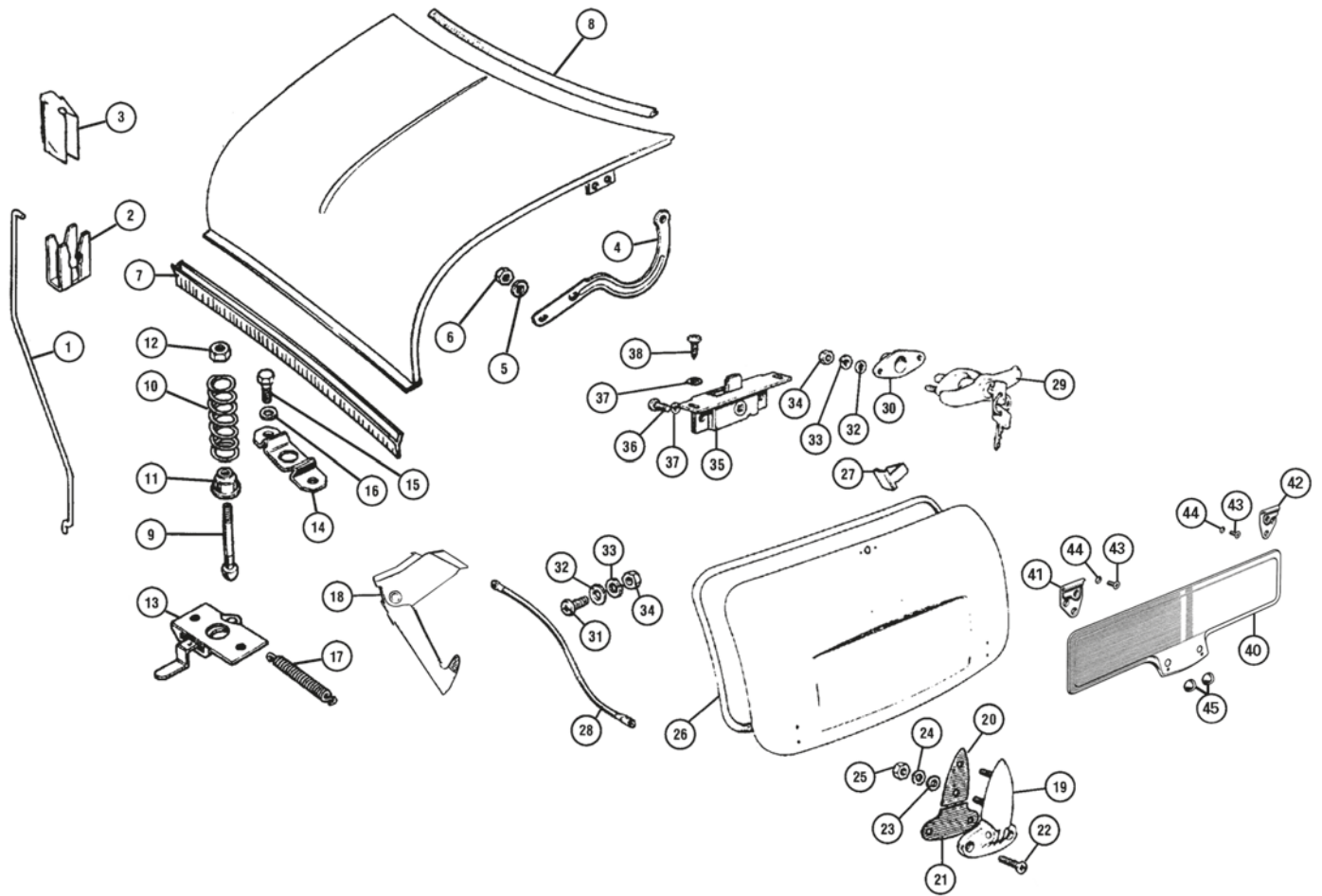
ill.	Part Number	Price £ea.	Description	Req.	Details
Doors					
1	14A8306	£671.70	DOOR ASSEMBLY, RH	1	1959-69
	14A8307	£671.70	DOOR ASSEMBLY, LH	1	1959-69
2	14A5498	£97.70	DOOR SKIN, RH	1	1959-69
	14A5498Z	£51.30	DOOR SKIN, RH, aftermarket	1	1959-69
	HMP441052	£137.80	DOOR SKIN, RH, aluminium	1	1959-69
	14A5499	£97.70	DOOR SKIN, LH	1	1959-69
	14A5499Z	£51.30	DOOR SKIN, LH, aftermarket	1	1959-69
	HMP441053	£131.30	DOOR SKIN, LH, aluminium	1	1959-69
3	BMP326	£519.10	DOOR ASSEMBLY, RH	1	1970-89
	BMP327	£519.10	DOOR ASSEMBLY, LH	1	1970-89
	BDA360100	£519.10	DOOR ASSEMBLY & CRASH BAR, RH	1	1990-On
	BDA360110	£519.10	DOOR ASSEMBLY & CRASH BAR, LH	1	1990-On

ill.	Part Number	Price £ea.	Description	Req.	Details
4	CZH3300	£97.70	DOOR SKIN, RH	1	1970-On
	CZH3300Z	£50.10	DOOR SKIN, RH	1	1970-On
	CZH3300AL	£58.60	DOOR SKIN, alloy, RH	1	1970-On
	CZH3301	£97.70	DOOR SKIN, LH	1	1970-On
	CZH3301Z	£50.10	DOOR SKIN, LH	1	1970-On
	CZH3301AL	£58.60	DOOR SKIN, alloy, LH	1	1970-On
5	14A8349Z	£34.60	DOOR JAMB, repair, RH	1	1970-On
	14A8348Z	£36.00	DOOR JAMB, repair, LH	1	1970-On
6	CZH3355Z	£19.20	DOOR INNER, repair, LH	1	1970-On
	CZH3356Z	£19.50	DOOR INNER, repair, RH	1	1970-On
7	14A8307RP	£67.80	LOWER DOOR, repair, RH	1	1959-69
	14A8306RP	£67.80	LOWER DOOR, repair, LH	1	1959-69
	CZH3350Z	£27.00	DOOR BOTTOM, repair, LH	1	1970 On
	CZH3351Z	£27.00	DOOR BOTTOM, repair, RH	1	1970 On
8	ADU2038	NCA	RIVET NUT, door mirror	a/r	



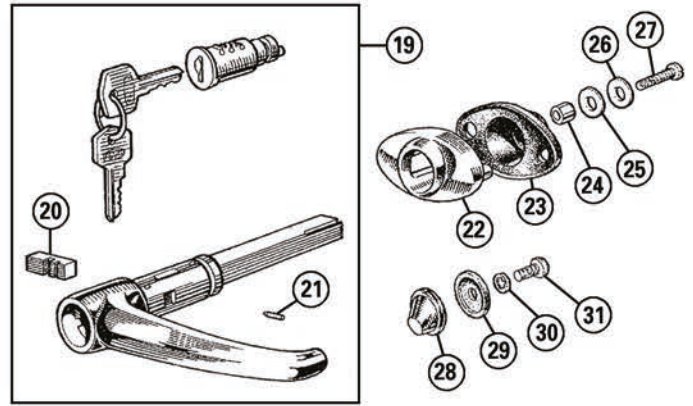
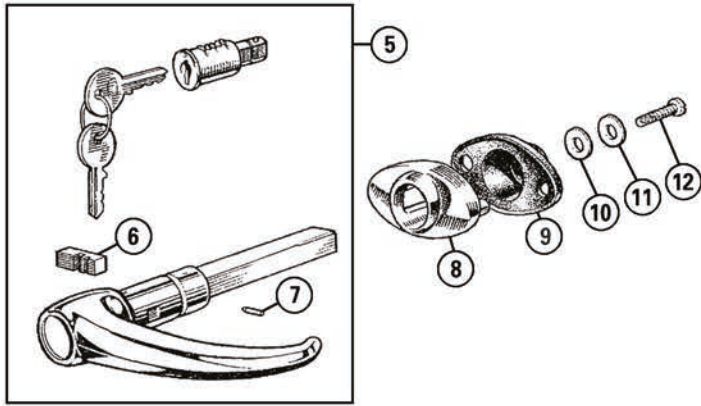
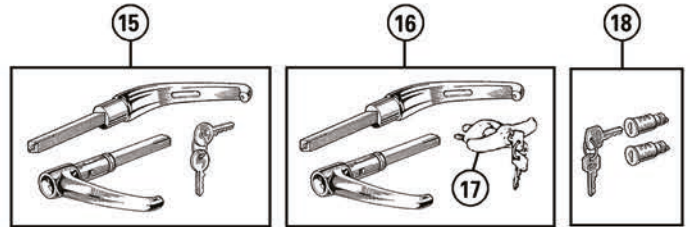
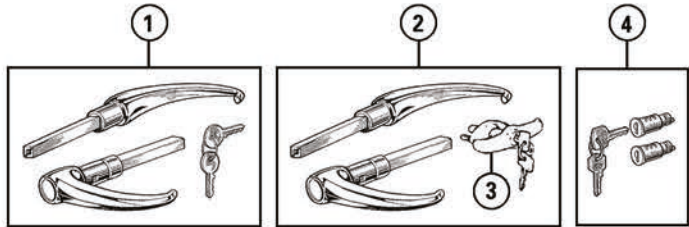
ill.	Part Number	Price £ea.	Description	Req.	Details
Inner Wings					
1	14A7900	£137.20	INNER WING, without A panel, RH	1	1959-69
	ABD36008	NCA	INNER WING, without A panel, RH	1	1969-On
2	ABD36004	£237.20	INNER WING ASSY., with A panel, RH	1	1969-On
3	ABD36006	£185.90	INNER WING ASSY., without A panel, RH	1	1969-On
4	14A7901	£173.10	INNER WING, without A panel, LH	1	1959-69
	ALA6271	£137.20	INNER WING, without A panel, LH	1	1969-89
	ABD36009	£111.50	INNER WING, without A panel, LH	1	1990-96
	ABD360180	£137.20	INNER WING, without A panel, LH	1	1997-On
5	ABD36007	£185.90	INNER WING, without A panel, LH	1	1990-96 with fan hole

ill.	Part Number	Price £ea.	Description	Req.	Details
6	ALA6279	£237.20	INNER WING ASSY., with A panel, LH	1	1969-89
	ABD360200	£237.20	INNER WING ASSY., with A panel, LH	1	1997-On
7	ABD36005	£237.20	INNER WING ASSY., with A panel, LH	1	1990-96 with fan hole
8	HMP441023	£54.80	PANEL COOLING SLATS	1	1959-89
9	14A6498	£70.50	RADIATOR COWLING	1	1959-75
10	ALA6472	£30.10	A POST INNER STIFFENER, RH	1	1970-On
	MBP9003	£21.60	A POST INNER STIFFENER, RH	1	1970-On, aftermarket
	ALA6473	£30.10	A POST INNER STIFFENER, LH	1	1970-On
	MBP9004	£21.60	A POST INNER STIFFENER, LH	1	1970-On, aftermarket
11	ALA5686	£18.00	BOXING PLATE A PANEL, RH	1	1970-On
	ALA5687	£18.00	BOXING PLATE A PANEL, LH	1	1970-On



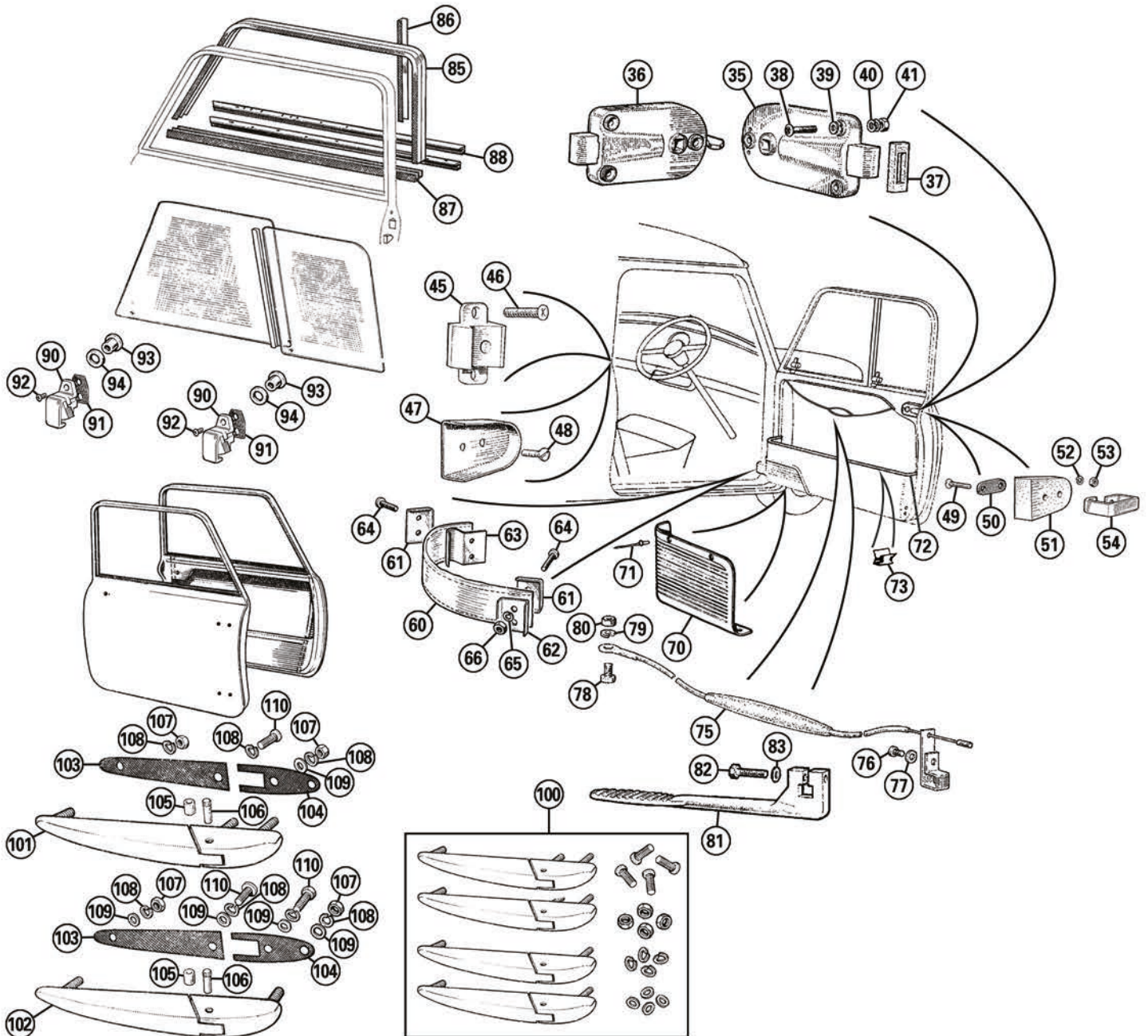
ill.	Part Number	Price £ea.	Description	Req.	Details
Body Fittings					
1	BKD360030	£11.70	STAY, bonnet	1	
2	24A859	£2.21	CLIP, stay to bonnet, metal	1	
3	GFK7344	£2.16	CLIP, stay retaining, rubber	1	
	GHF504	£0.22	SPLIT PIN, retainer	a/r	
4	14A7246	£37.90	HINGE, bonnet, RH	1	1959-69
	14A7247	£37.90	HINGE, bonnet, LH	1	
	BMP348	NCA	HINGE, bonnet, RH	1	1970-On
	BMP349	NCA	HINGE, bonnet, LH	1	
	MSSK019	£37.50	HINGE KIT, quick release	1	
5	PWZ204	NCA	WASHER	4	
6	GHF200	£0.22	NUT	4	
7	JRC7898	£8.40	SEAL, bonnet, front	1	
8	14A9010	NCA	SEAL, bonnet, rear, self adhesive	1	scuttle panel drain, To 1991
	CJE10021	NCA	SEAL, bonnet, rear, self adhesive	1	scuttle panel drain, 1992-On
	JRC7008	£11.10	SEAL, bonnet, rear, rubber	1	bonnet lip, 1980-On
	BHH626M	£3.60	SEAL, bonnet, rear, per metre	1	
9	14A6586	£7.20	PIN, bonnet	1	
10	FPQ10001	£3.05	SPRING	1	
11	ADA458	£10.36	SPRING CUP	1	
12	ND606041	£1.21	LOCK NUT	1	
13	AAM1206	NCA	CATCH	1	
14	AAM1223	£4.80	GUIDE	1	
15	SH604051	£0.30	SCREW, catch and guide to body	2	
16	GHF331	£0.38	WASHER, locking	2	
17	4G2494	£2.60	SPRING, catch return	1	alternatives
	24G3591	£5.30	SPRING, catch return	1	
18	ALA7608	£20.40	HOOK	1	
	MCR108	£15.60	CABLE, bonnet release	1	
	GAC8425X	£32.80	BONNET RELEASE KIT	1	
19	HMP441031	£23.00	HINGES, boot, pair	1	
	MT8101	£15.00	HINGES, boot, pair	1	chrome plated
20	BMP401	£0.50	GASKET, upper hinge	1	
21	BMP402	£1.30	GASKET, lower hinge	1	
22	SG604051	£1.10	SCREW	4	
23	GHF300	£0.22	WASHER	4	
24	GHF331	£0.38	WASHER, locking	4	
25	GHF200	£0.22	NUT	4	

ill.	Part Number	Price £ea.	Description	Req.	Details
26	14A6584	£10.40	SEAL, boot lid, fitted to boot lid	1	To VIN398599
	CKE10018	£8.70	SEAL, boot lid, fitted to body	1	From VIN398600
27	14A6585	£0.60	CLIP, seal to boot lid	a/r	use with seal 14A6584
28	MCR107	£4.70	CABLE, boot lid check strap	2	
29	JRC2844	£57.00	HANDLE, boot lid, chrome	1	To 1980
	JRC2843	£54.00	HANDLE, boot lid, black	1	1980-84
	JRC8182	£63.10	HANDLE, boot lid, nimbus	1	1984-On
	14A7194	£59.40	HANDLE, boot lid, chrome	1	1959-69
30	CZH1747	£0.60	SEAL, handle to boot	1	
31	PMZ314	£0.30	SCREW, cable to body	2	
	PMZ308	£0.30	SCREW, cable to boot lid	2	
32	PWZ203	£0.19	WASHER, plain	6	
33	WL700101	£0.25	WASHER, locking	6	
34	GHF206	£0.16	NUT	6	
35	14A5696	£34.50	LATCH, boot Lock	1	
36	PMZ307	£0.61	SCREW, latch to boot lid	2	
37	WF702101	£0.36	WASHER, locking	a/r	
38	GHF425	£0.22	SCREW, self tapping	2	
40	14A6468	£17.10	BACKING PLATE, number plate	1	
41	14A6466	£7.60	HINGE, number plate, RH	1	
42	14A6467	£7.60	HINGE, number plate, LH	1	Mkl-II,
43	CMZ308	£0.30	SCREW, hinge to bootlid	6	not MklII Germany
44	WL700101	£0.25	WASHER	6	
45	14A7625	£2.40	BUFFER, number plate	2	



MkI 1959-65

MkII 1966-On



ill. Part Number Price £ea. Description Req. Details

Door Handles & Locks

There are two different types of door handles for the early Mkl-II door. The early type, 1959-65, was a standard door handle whereas from 1966 onwards a safety boss (to stop people catching themselves on the early handle) was fitted to the door skin, under the end of the handle. This meant a shorter door handle was made to allow fitment for the boss. Originally only one lock was fitted to these cars, the exterior handle on the driver's side and the interior passenger side. In the inside of the car, the reverse was the case, with the passenger's lock assembly incorporating a safety catch and the driver's side lock assembly not. All door handles we now supply are of the locking type.

Door Handles & Seals

Mkl, 1959 - 1965

1	24A1140P	£84.00	HANDLE SET, doors only	1	2 piece, with keys
2	24A1140S	£135.00	HANDLE SET, doors & boot	1	3 piece, with keys
3	14A7194	£59.40	HANDLE, boot lid, chrome, with key	1	Mkl-II, 1959-65
4	LBS108	£36.00	LOCK BARREL SET, 2 piece, with keys	1	
5	24A1140	£49.40	DOOR HANDLE, locking, RH, with keys	1	
	14A6829	£49.40	DOOR HANDLE, locking, LH, with keys	1	
6	17H6596	NCA	BOLT, locking	2	
7	27H8618	NCA	PIN, retaining	2	
8	24A2245	£14.00	ESCUTCHEON, locking handle	1	
	24A2246	£14.00	ESCUTCHEON, non locking handle	1	Mkl-II
9	ADA3817	£2.50	SEAL, escutcheon to door	2	
10	PWZ203	£0.19	WASHER, plain	4	
11	WL700101	£0.25	WASHER, locking	4	To 1966
12	PMZ308	£0.30	SCREW, escutcheon to door	4	

Mkl-II, 1966-On

15	24A2083P	NCA	HANDLE SET, doors only	1	2 piece, with keys
16	24A2083S	£150.00	HANDLE SET, doors & boot	1	3 piece, with keys
17	14A7194	£59.40	HANDLE, boot lid, chrome, with key	1	Mkl-II, 1966-70
18	LBS108	£36.00	LOCK BARREL SET, 2 piece, with keys	1	
19	24A2083	£59.75	DOOR HANDLE, RH, with keys	1	
	24A1833	NCA	DOOR HANDLE, LH, with keys	1	
20	17H6596	NCA	BOLT, locking	2	
21	27H8618	NCA	PIN, retaining	2	
22	24A2245	£14.00	ESCUTCHEON, locking handle	1	
	24A2246	£14.00	ESCUTCHEON, non locking handle	1	Mkl-II
23	ADA3817	£2.50	SEAL, escutcheon to door	2	
24	24A2086	NCA	SPACER	4	
25	PWZ203	£0.19	WASHER, plain	4	1966-On
26	WL700101	£0.25	WASHER, locking	4	
27	PMZ308	£0.30	SCREW, escutcheon to door	4	
28	24A1834	£9.90	BOSS, door handle	2	
29	24A1835	£1.31	SEAL, boss to door	2	1966-On
30	WL700101	£0.25	WASHER, shakeproof	2	
31	PMZ308	£0.30	SCREW	2	

Door Lock Assembly

35	24A2145	NCA	LOCK ASSEMBLY, no safety catch, RH	1	RHD, drivers side
	24A2146	£36.00	LOCK ASSEMBLY, no safety catch, LH	1	LHD, drivers side
36	24A2144	£36.00	LOCK ASSEMBLY, safety catch, LH	1	RHD, passengers side
	24A2143	NCA	LOCK ASSEMBLY, safety catch, RH	1	LHD, passengers side
37	14A8568	NCA	SEAL, lock to door	2	
38	RMZ316	£0.55	SCREW	6	
39	PWZ103	£0.22	WASHER, plain	2	
40	WL700101	£0.25	WASHER, spring	2	
41	FNZ103	£0.30	NUT	2	

Door Lock Strikers

45	14A6832	NCA	STRIKER PLATE, door lock	2	
46	RMZ310	£0.66	SCREW, striker plate retainer	6	
47	14A6835	£3.90	PLATE, buffer	2	
48	CMZ204	£0.52	SCREW, buffer plate retainer	4	
49	CMZ210	NCA	SCREW, buffer to door	4	
50	14A6834	NCA	PLATE, buffer fixing	2	
51	14A6833	£3.50	BUFFER, nylon	2	
52	WL700101	£0.25	WASHER, locking	4	
53	CNZ102	£0.30	NUT	4	
54	14A7680	NCA	PLATE, tapped, buffer inside door	2	

Check Straps

60	TKF9216310	£16.00	CHECK STRAP, black	2	
	TKF9216323	£14.50	CHECK STRAP, tartan red	2	
	TKF9216361	£16.00	CHECK STRAP, dove grey	2	
			(Note: Please see the accessories section for full range of colours).		
61	14A764	£2.00	BRACKET, check strap, 2 per strap	4	
62	14A6744	£2.40	BRACKET, check strap	2	1959-69
63	14A6745	£2.40	BRACKET, check strap	2	
64	SG604083	£1.45	SCREW, countersunk, chrome	8	

ill. Part Number Price £ea. Description Req. Details

65	GHF331	£0.38	WASHER, spring	4	
66	GHF200	£0.22	NUT	4	

Kick Plate & Trim

70	14A7176	£24.40	KICK PLATE, RH	1	
	14A7177	£24.40	KICK PLATE, LH	1	1959-69
71	GHF600	£0.16	RIVET, kick plate to door pocket	8	
72	24A1169	£14.40	FINISHER, door pocket, chrome	2	Mkl-II, van &
73	EYC10048	£0.72	CLIP, door pocket	8	pickup

Interior Door Pulls

75	24A664	NCA	CABLE, door pull	2	
76	PMZ308	£0.30	SCREW, clamping cable to lock	2	1959-68, standard,
77	PWZ103	£0.22	WASHER, plain	2	deluxe, van &
78	PMZ308	£0.30	SCREW, cable to door	2	pickup models
79	WL700101	£0.25	WASHER, locking	2	
80	FNZ103	£0.30	NUT	2	
81	GLZ119A	£28.50	HANDLE, interior, black	2	
82	PMZ314	£0.30	SCREW, clamping handle to lock	2	1968-On, all models
83	WE702101	£0.30	WASHER, shakeproof	2	

Window Channel

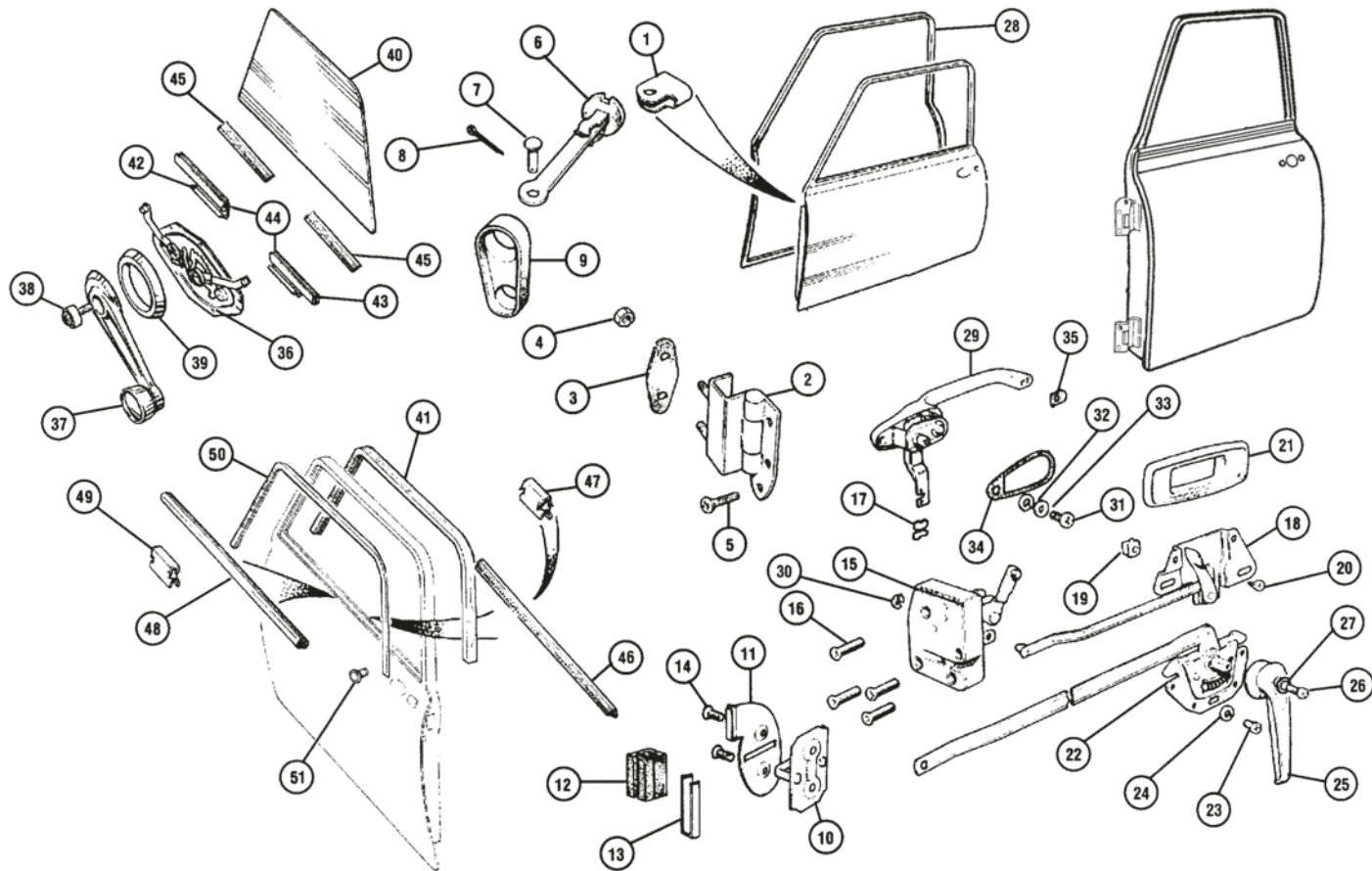
85	14A7167	NCA	CHANNEL UPPER	2	
	14A7167Z	£14.70	CHANNEL UPPER	2	aftermarket
86	EAM8530	£10.20	WEATHER STRIP, RH/LH	2	
87	24A88	£22.50	CHANNEL, lower	2	
88	24A1303	£24.70	CHANNEL PLATE, RH	1	1961-On
	24A1304	£24.70	CHANNEL PLATE, LH	1	

Window Catch

90	24A1194	£7.25	WINDOW CATCH, front, RH	1	
	24A1195	£7.25	WINDOW CATCH, front, LH	1	
	24A1196	£7.25	WINDOW CATCH, rear, RH	1	
	24A1197	£7.25	WINDOW CATCH, rear, LH	1	1963-On
91	24A1198	£3.70	SEAL, catch to glass	4	
92	RMP307	£2.32	SCREW, window catch	4	
93	14A8151	£6.10	BOSS, window catch, chrome	4	
94	14A7065B	£0.64	WASHER, for chrome boss	4	

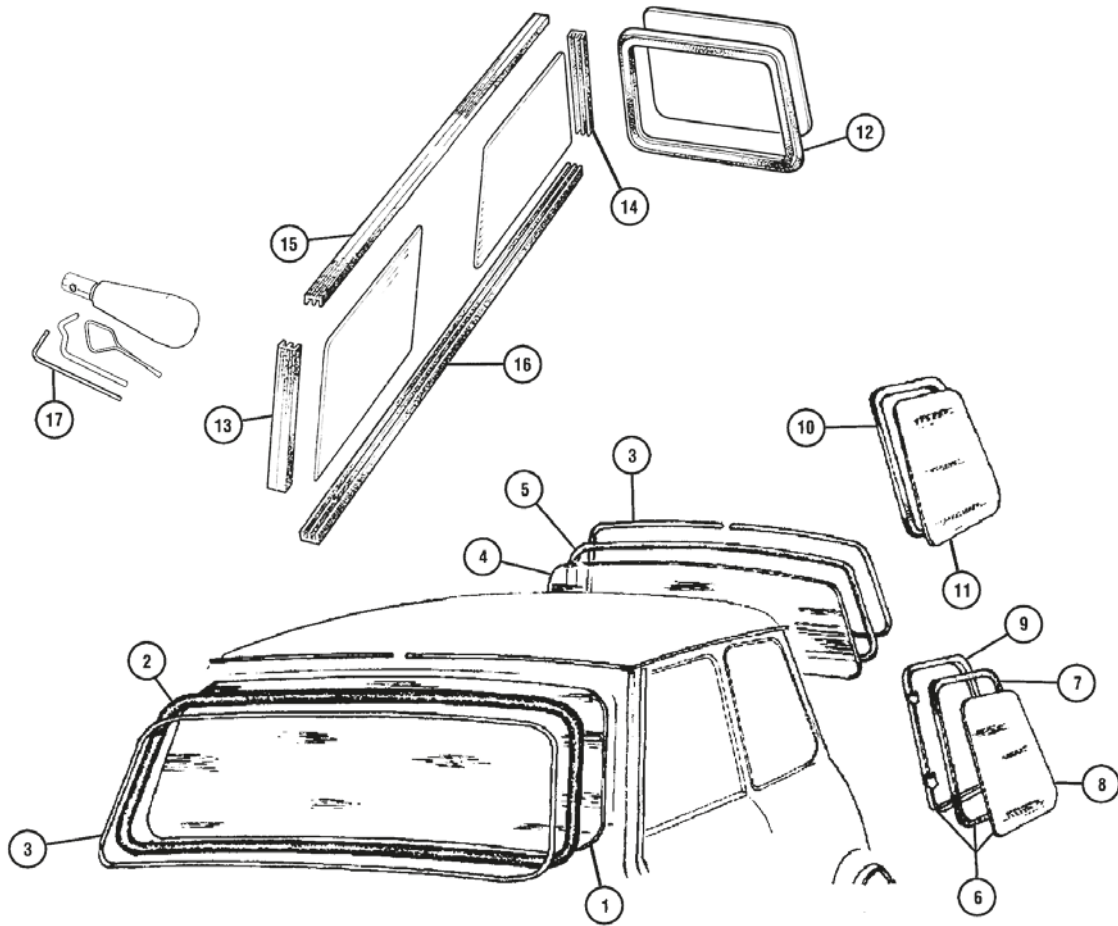
Early Door With External Hinges

100	14A6818KA	£139.85	HINGE SET, external	1	
101	14A6818	NCA	HINGE, RH, upper	1	
	14A6819	NCA	HINGE, LH, upper	1	
102	14A6820	NCA	HINGE, RH, lower	1	
	14A6821	NCA	HINGE, LH, lower	1	
103	BMP134	£0.77	GASKET, large	4	
104	BMP135	£0.94	GASKET, small	4	1959-69
105	37H3043	£1.90	BUSH, hinge, repair	4	
106	37H3044	£1.39	PIN, hinge, repair	4	
107	GHF200	£0.22	NUT	10	
108	GHF331	£0.38	WASHER, spring	16	
109	GHF300	£0.22	WASHER, flat	12	
110	SE604061	£0.66	SCREW, pan head	6	



ill.	Part Number	Price £ea.	Description	Req.	Details
Door Fittings					
Later Door With Internal Hinges					
1	CZH3121	NCA	BRACKET, check arm	2	
2	HMP441030	£200.00	HINGE SET, upper & lower	1	
	CZH202	£33.80	HINGE, upper, RH	1	OE
	CZH203	£33.80	HINGE, upper, LH	1	From 1970
	CZH212	£31.80	HINGE, lower	2	
	CZH202K	£20.50	HINGE SET, RH, pair	1	aftermarket
	CZH203K	£20.50	HINGE SET, LH, pair	1	From 1970
	(The RH & LH hinge sets include a lower and handed upper hinge).				
3	ALA6381	£2.60	WASHER, door hinge	a/r	
4	GHF221	£0.41	NUT, nyloc, hinge to body	8	
5	SF604061	£0.50	SCREW, hinge to door	10	
6	ADA5671	£19.00	CHECK STRAP, door	2	
7	CLZ413	£1.26	CLEVIS PIN, check strap to body	2	
8	GHF500	£0.22	SPLIT PIN	2	
9	CZH4052	£4.20	SEAL, check strap, rubber, RH	1	To VIN324224
	CZH4053	£4.20	SEAL, check strap, rubber, LH	1	
	CGE10038	£5.60	SEAL, check strap, foam, RH	1	From VIN324225
	CGE10039	£5.60	SEAL, check strap, foam, LH	1	
10	CZH627	£16.80	STRIKER, door lock	2	
11	CZD1184	NCA	STRIKER PLATE, RH	1	
	CZD1185	NCA	STRIKER PLATE, LH	1	
	CZG5254	NCA	STRIKER PLATE	2	1990-On
12	CZD1351	NCA	BUFFER, door to striker plate	2	
13	CZD1350	NCA	RETAINER, door buffer	2	
14	SF604051	£0.30	SCREW, striker to B post	4	
	CZH628	NCA	PLUG, B post, behind catch	2	
15	CZH3528	NCA	LOCK ASSEMBLY, RH	1	
	CZH3529	NCA	LOCK ASSEMBLY, LH	1	
16	ZCT410	£1.50	SCREW, lock to door	8	
17	37H6519	NCA	RETAINER, operating link	2	
18	CZH616	£3.92	LOCK CONTROL, RH	1	
	CZH617	£3.92	LOCK CONTROL, LH	1	
19	GHF1030	£0.60	NUT, plastic	4	alternative
20	AB608031	£0.22	SCREW, self tapping	4	door lock to frame
21	CZH611PA	£10.80	BEZEL, lock control, plastic	2	
22	CZH640	£5.35	RELEASE MECHANISM, RH	1	
	CZH641	£5.35	RELEASE MECHANISM, LH	1	
23	PMZ305	£0.36	SCREW, release mechanism	4	
24	WL700101	£0.25	WASHER, locking	4	
25	JPC8387PA	£6.30	HANDLE, opening, black	2	plastic
26	PMP308	£0.73	SCREW, release handle to spigot	2	
27	WE702101	£0.30	WASHER, locking	2	
28	24A1351	£12.10	SEAL, door aperture, black	2	Mkl 1959-69

ill.	Part Number	Price £ea.	Description	Req.	Details
	CFB10047	£15.60	SEAL, door aperture, black	2	
29	CZH886	£57.00	HANDLE, locking, chrome, RH	1	
	CZH887	£57.00	HANDLE, locking, chrome, LH	1	
	CZH886/7	£91.80	HANDLES, chrome, pair	1	1970-On inc: keys
	JRC2841/2	£60.00	HANDLES, black, pair	1	1970-On inc keys
	CZH1784S	£98.90	HANDLE SET, chrome, Mkl boot handle	1	1970-On
	WPA9019X	£144.00	HANDLE SET, chrome, MklII boot handle	1	1970-On
	CZH1785LB	£55.20	BARREL SET	1	1970-On includes doors & boot
30	13H2899	£1.75	LINK CLIP	4	
Note: We supply exterior lock sets with matching keys.					
31	PMZ306	£0.47	SCREW, exterior handle to door	4	
32	WL700101	£0.25	WASHER, locking	4	
33	GHF306	£0.30	WASHER	4	
34	ALA5795	£1.52	GASKET, handle large	2	
35	CZH1729	£1.10	GASKET, handle small	2	
36	CZH646	NCA	REGULATOR, RH	1	
	CZH647	NCA	REGULATOR, LH	1	
Note: See accessories section for electric window kits.					
37	CZA7109	£6.30	HANDLE, window winder	2	
	YGA4330	£11.20	HANDLE, window winder	2	late type
38	ZKC3317	£2.10	SCREW, window winder handle	2	
39	CZH701PA	£5.70	HANDLE SURROUND, black	2	
	GAC8495X	NCA	HANDLE SET, alloy	1	8 piece set
	(Includes winders, openers, door pulls and lock bezels).				
40	ALA5723	£42.00	DOOR GLASS, RH/LH	2	clear
	CZH4007	£66.60	DOOR GLASS, RH/LH	2	green tint
41	PAM3076	£11.80	RUBBER SEAL, glass upper, RH	1	
	PAM3077	£11.80	RUBBER SEAL, glass upper, LH	1	
42	ALA5746	£14.80	CHANNEL, lower glass, front	2	
43	ALA5747	£14.80	CHANNEL, lower glass, rear	2	
44	ALA5746/7	£24.60	CHANNEL SET, lower glass, pair	2	
45	37H4297	£3.35	GLAZING STRIP, rubber	4	0.5m length
46	EJU10003	£15.00	WEATHER STRIP, inner	2	with moulding
47	EYC10048	£0.72	CLIP, inner weather strip	a/r	
48	PAM1014	£22.00	WEATHER STRIP, outer, RH	1	
	PAM1015	£21.00	WEATHER STRIP, outer, LH	1	
	HMP841007	£69.60	WEATHER STRIP KIT	1	stainless steel
	(Includes pair of outer weather strips & clips).				
49	ADH3809	£0.55	CLIP, outer moulding	a/r	
50	MS67	£41.10	MOULDING, frame surround, RH	1	1970-On
	MS68	£41.10	MOULDING, frame surround, LH	1	
51	13H743	£1.36	CLIP, frame surround	24	



Part Number	Price £ea.	Description	Req.	Details
Glazing				
Windscreen, Side & Rear Glass				
1 24A2236	£56.70	WINDSCREEN, laminated	1	clear
24A2236H	£197.40	WINDSCREEN, laminated, heated	1	clear
24A2236HM	£275.10	WINDSCREEN, laminated, heated	1	clear Monte Carlo style
CZH4048	£63.20	WINDSCREEN, laminated	1	green tint
CZH4048H	£216.10	WINDSCREEN, laminated, heated	1	green tint
MS85	£63.30	WINDSCREEN, laminated	1	green tint/green top tint
MS85H	£217.30	WINDSCREEN, laminated, heated	1	green tint/green top tint

Note: Special shipping applies to all windscreens. Please see page 02 for more information.

2 JRC2671	£13.60	SEAL, windscreen, front	1	
CCB100130	£32.20	SEAL, windscreen, front	1	latest wide type seal
3 24A1466	£4.75	FILLER STRIP, front, chrome	2	pre-cut for front
24A1466R	£5.40	FILLER STRIP, rear, chrome	2	pre-cut for rear
JPC2017	£2.30	CLIP, filler strip end finisher	2	
4 13H7323	£72.40	REAR SCREEN, heated	1	clear
CZH4013	£94.20	REAR SCREEN, heated	1	green tint

Note: Special shipping applies to all windscreens. Please see page 02 for more information.

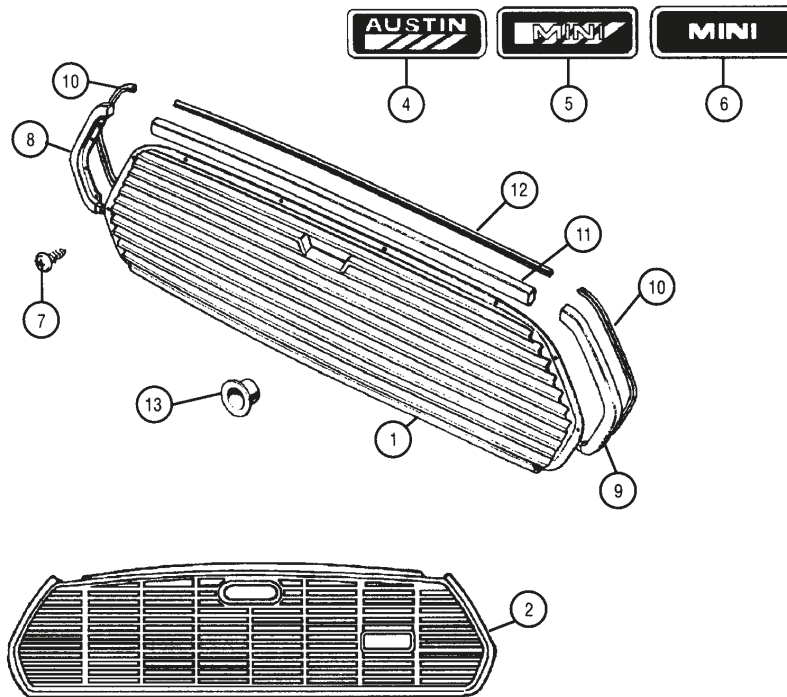
2 14A8744	£17.60	SEAL, rear screen	1	1959-67
JRC2674	£13.50	SEAL, rear screen	1	1967-On
6 CZH3522	£272.50	QUARTER LIGHT, RH	1	clear
CZH3523	NCA	QUARTER LIGHT, LH	1	clear
JRC5142	NCA	GLASS, quarter light	2	clear
CZH4010	NCA	QUARTER LIGHT, RH	1	green tint
CZH4011	NCA	QUARTER LIGHT, LH	1	green tint

Part Number	Price £ea.	Description	Req.	Details
JRC5143	£31.80	GLASS, quarter light	2	green tint
7 24A2131	£4.25	RUBBER, glazing	2	
8 JRC5142	NCA	GLASS, opening quarter light	2	clear
JRC5143	£31.80	GLASS, opening quarter light	2	green tint
9 CZH3537	£98.20	FRAME, quarter light, RH	1	
CZH3538	£98.20	FRAME, quarter light, LH	1	
10 PAM1019	£12.70	SEAL, opening quarter light	2	
JRC2673	£13.10	SEAL, fixed quarter light	2	
ALA5897	£8.40	SEAL, opening quarter light	2	Mkl
11 CZH1315	£31.20	GLASS, fixed quarter light	2	clear
12 14A7210	£33.10	SEAL, rear door windows	2	van & estate
13 14A7631	£17.10	CHANNEL, front	2	estate rear side windows
14 14A7630	£18.30	CHANNEL, rear	2	
15 14A7632	£28.30	CHANNEL, upper	2	
16 14A7633	£32.80	CHANNEL, lower	2	

Windscreen Tool

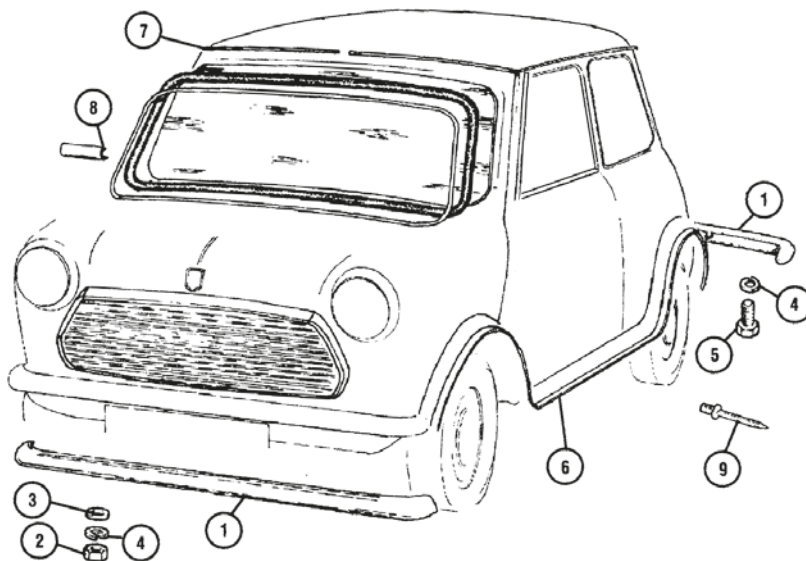
This is the best tool for fitting windscreens and insert strips. Supplied with a variety of hooks and eyes to allow easy fitting of the screen and rubber or plastic insert. Not suitable for metal inserts. Tech tip don't rush this job! Use a little washing up liquid to lubricate the tool and seals.

17 MTR481101	£12.25	WINDSCREEN INSERT FITTING TOOL	1	
--------------	--------	--------------------------------	---	--



ill.	Part Number	Price £ea.	Description	Req.	Details
Front Grille & Fittings					
Note: Please see the accessories section for our full range of grilles.					
1	24A2158	£89.20	GRILLE, stainless steel	1	Mkl Morris Cooper
	24A2159	£81.60	GRILLE, stainless steel (With full slats for internal bonnet release).	1	Mkl Morris Cooper
	14A7781FK	£6.00	MOUSTACHE KIT, complete	1	includes end mouldings
	14A7781	£99.60	MOUSTACHE	1	
	14A7782	£10.50	MOULDING, RH	1	for 14A7781
	14A7783	£10.50	MOULDING, LH	1	for 14A7781
	ADA3583	£0.64	CLIP	3/6	for left/right end mouldings
	24A198	£89.00	GRILLE	1	Austin Mkl Cooper and S
	14A7299	£90.90	GRILLE	1	Austin Mkl wavy grille
	ALA6654Z	£70.00	GRILLE, chrome	1	To 1977 & Mini 30
	HMP841003	£109.20	GRILLE KIT	1	inc: ALA6654Z & surrounds
	DHB10150PME	£63.30	GRILLE, black	1	1977-81
	CZH4015Z	NCA	GRILLE, black	1	1977-81
2	PAM1878	NCA	GRILLE, black with shield	1	1981-84
3	ALA6668	£70.30	GRILLE, chrome (External bonnet release).	1	Cooper MkII
	ALA6669	£69.00	GRILLE, chrome (Internal bonnet release).	1	Cooper MkII
	8B12502	£102.00	GRILLE (With 6in holes for spot lamp fitment, external bonnet release access).	1	stainless steel, Cooper MkII
	8B12503	£105.00	GRILLE, stainless steel (With 6in holes for spot lamp fitment, internal bonnet release).	1	Cooper MkII
	GAC8434X	£129.00	GRILLE KIT	1	inc: 8B12502 grille and lamps
	GAC8420X	£130.00	GRILLE KIT	1	inc: 8B12503 grille and lamps
	8B12504	£85.00	GRILLE, stainless steel (External bonnet release access).	1	Cooper MkII
	8B12505	£83.30	GRILLE, stainless steel (Internal bonnet release).	1	Cooper MkII

ill.	Part Number	Price £ea.	Description	Req.	Details	
	8B12507	£90.00	GRILLE, stainless steel (External bonnet release access).	1	as Austin wavy MkII	
	8B12508	£90.00	GRILLE, stainless steel (Internal bonnet release).	1	as Austin wavy MkII	
	ALA6669	£69.00	GRILLE, Cooper	1	Cooper 1.3i	
	GAC8421X	£10.40	GRILLE BUTTON KIT	1		
	GAC8439X	£15.30	BONNET LOCK, black (Covers access to bonnet release).	1	fits externally	
	4	JRC7084	NCA	BADGE, grille, Austin	1	
	5	JPC9935	NCA	BADGE, grille, Mini	1	
	6	DAH10003	NCA	BADGE, grille, Mini	1	Mayfair and City
	7	AB608021	£0.28	SCREW, self tapping	4	top of grille to body
		AB606031	£0.36	SCREW, self tapping	8	side edges of grille to body
	8	ALA6508	£11.00	SURROUND, RH	1	
	9	ALA6509	£11.00	SURROUND, LH	1	Designer
		AB606028	£0.47	FIXING SCREW,	13	surrounds and top
	10	37H8108M	£7.50	SEATING STRIP, chrome	1	per metre
	11	ALA6559	£18.60	FINISHER, grille top	1	
		ALA6559Z	£29.50	MOULDING TOP	1	
	12	24A2708	£18.00	SURROUND, seating strip, 29"	2	
	13	ALA6747	NCA	PLUG, grille	2	
		HMP841009	£46.75	MOULDING KIT	1	inc: ALA6508/9/59
		CZH3553	NCA	SURROUND, headlamp, LH	1	GT and Clubman



Part Number	Price £ea.	Description	Req.	Details
Bumpers & Fittings				
1 DPB10166Z	£38.70	BUMPER, stainless steel	2	aftermarket
14A6779Z	£42.00	BUMPER, chrome	2	alternative
14A6779SS	£53.20	BUMPER, stainless steel	2	
14A9871	£71.10	BUMPER, stainless steel	2	with holes for corner bars
EAM9219	£32.80	BUMPER, black	2	Clubman
DPB10085PMG	£43.80	BUMPER, black	2	
JRC8268Z	£43.80	BUMPER, nimbus	2	1984-88 and Mini 25
CZH600	£198.00	BUMPER, front	1	Clubman
CZH605	NCA	BUMPER, rear	1	Clubman
14A7550	£13.00	BUMPER, quarter, chrome	2	Mini van
14A7550Z	NCA	BUMPER, quarter, chrome, aftermarket	2	Mini van
EAM9248	£49.70	BUMPER, quarter, black	2	Mini van
2 GHF231	£0.89	NUT, nyloc, metric M6	6	for aftermarket bumpers
GHF200	£0.22	NUT, plain, 1/4"	6	all bumpers
3 PWZ204	NCA	WASHER, plain, 1/4"	6	except EAM9219
WC108051	£0.30	WASHER, plain, 5/16"	8	for bumper EAM9219
4 GHF331	£0.38	WASHER, spring, 1/4"	6	all except EAM9219
GHF332	£0.40	WASHER, spring, 5/16"	8	for bumper
5 SH605051	£1.00	BOLT, bumper to body, 5/16"	8	EAM9219
14A9923	£21.40	OVERRIDER	2	Mkl
		(With holes for corner bars. Right hand front and left hand rear).		
14A9924	£21.40	OVERRIDER	2	Mkl
		(With holes for corner bars. Left hand front and right hand rear).		
14A9877	£15.70	CORNER BAR, front, RH	1	
14A9878	£15.70	CORNER BAR, front, LH	1	
14A9919	£16.30	CORNER BAR, rear, RH	1	
14A9920	£16.30	CORNER BAR, rear, LH	1	
14A7598	£1.30	BRACKET	4	for fitment of overrider
SH605101	£0.89	BOLT	4	for fitment of overrider
37H9871M	£1.57	SEATING RUBBER	1	sold by the metre
14A9879	£1.84	DISTANCE PIECE	4	bumper to corner bar
GHF102	£0.60	BOLT	4	bumper to corner bar
GHF117	£0.30	BOLT	4	overrider to corner bar
WPA9006X	£325.42	OVERRIDER AND BUMPER KIT	1	
		(Kit inc: 2 bumpers pre drilled 4 corner bars, 4 overriders & all fixings).		
14A8738SS	£21.40	OVERRIDER	4	Mkl plain overriders
		(No holes for corner bars).		
14A7598	£1.30	BRACKET	4	for fitment of overrider
SH605101	£0.89	BOLT	4	for fitment of overrider
37H9871M	£1.57	SEATING RUBBER	1	sold by the metre
WPA9005X	£86.40	OVERRIDERS ONLY KIT	1	
		(Contains overriders and fixings, no corner bars).		
GAC9400X	£33.60	BRACKET, fog lamp relocation	1	required when fitting overriders and corner bars

Part Number	Price £ea.	Description	Req.	Details
7 GAC8494X	£16.15	MOULDING, roof gutter, chrome	1	one piece chrome plastic
GAC8494XB	£16.15	MOULDING, roof gutter, black	1	one piece black plastic
8 DBE10006PMD	£11.00	CLIP, roof moulding joint, black	2	

Wheel Arch Extensions

AJM1117Z	£32.00	ARCH KIT, black	1	
CZH4312Z	£7.60	EXTENSION, wheel arch, black, RH	1	front
CZH4313Z	£7.60	EXTENSION, wheel arch, black, LH	1	front
CZH4314Z	£8.50	EXTENSION, wheel arch, black, RH	1	rear
CZH4315Z	£8.50	EXTENSION, wheel arch, black, LH	1	rear
CZH4316Z	£5.60	SILL FINISHER	2	
9 DYQ100140	£1.75	RIVET, for wheel arches	a/r	

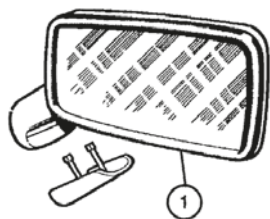
Mouldings & Finishers

6 GZF105	£9.90	MOULDING, wheel arch, chrome	2	fluted
GZF107	£6.30	MOULDING, wheel arch, chrome	2	flat
GZF108M	£3.50	MOULDING, wheel arch, black	8	fluted, per metre

Note: Wheel arch extensions are available in sets, please see the accessories section.

ill.	Part Number	Price £ea.	Description	Req.	Details
Mudflaps					
	CAT10044	£45.00	MUDFLAPS, pair	1	Cooper logo
	AJM164	£50.40	MUDFLAPS, pair	1	Mini wording

ill.	Part Number	Price £ea.	Description	Req.	Details
Hub Caps					
	88G337Z	£36.00	HUB CAP, chrome	4	10" wheels

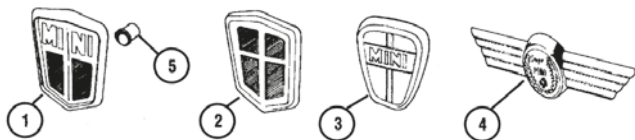


ill.	Part Number	Price £ea.	Description	Req.	Details
Door Mirrors					
1	JPC9848	£22.50	DOOR MIRROR, black plastic, RH	1	
	JPC9849	£22.50	DOOR MIRROR, black plastic, LH	1	
	CRB10184LML	£67.80	DOOR MIRROR, plastic, primed, RH	1	requires painting
	CRB10185LML	£68.70	DOOR MIRROR, plastic, primed, LH	1	to suit body colour

Note: These late type plastic door mirrors are available in black plastic or primed. Later models have the plastic door mirror painted in either white or body colour. Pre-painted mirrors are no longer available. Primed mirrors should be purchased and painted to suit your car.

GAM215A	£34.00	MIRROR, door, chrome, RH	1	convex glass
GAM216A	£34.00	MIRROR, door, chrome, LH	1	convex glass
GAM217X	£32.00	MIRROR, door, chrome, RH	1	flat glass
GAM218X	£32.00	MIRROR, door, chrome, LH	1	flat glass

Note: Please see accessories section for our full range of mirrors.

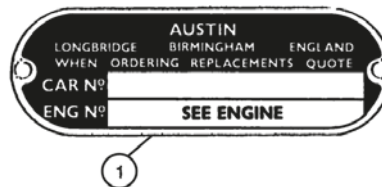


ill.	Part Number	Price £ea.	Description	Req.	Details
Badges					
	24A71	£11.40	BADGE, bonnet	1	Austin Cooper and S Mkl
	24A72	£28.50	BADGE, bonnet	1	Morris Cooper and S Mkl
	ADA3580	£40.00	BADGE, bonnet	1	Morris Mini Mkl
	24G1201	£18.00	BADGE INSERT, bonnet	1	Austin Mkl
	14A6837	£23.50	BADGE SURROUND, bonnet	1	Austin insert surround
	14A6802	£12.30	BADGE, boot	1	Austin script Mkl
	24A23	£8.80	BADGE, boot	1	Cooper script Mkl
	24A997	£9.50	BADGE, boot	1	Mini script
	14A6853	£6.70	BADGE, boot	1	Seven script
	24A1401	£9.20	BADGE, boot, small	1	S script
	24A1402	£9.20	BADGE, boot, large	1	S script
	24A24	£37.20	BADGE, boot	1	Morris Cooper script
	ADA3730	£24.00	BADGE, boot	1	Mini Minor script
	ALA6622	£13.20	BADGE, boot	1	Austin Mini script
	ALA6694	£10.30	BADGE, boot	1	850 script
	ALA6695	£15.30	BADGE, boot	1	1000 script
	ALA6696	£17.10	BADGE, boot	1	1275 script
	ALA6519	£11.40	BADGE SURROUND, bonnet	1	Cooper S Mkl
	ALA6514	£12.90	BADGE INSERT, bonnet	1	Austin Cooper S Mkl
	ALA6515	£13.20	BADGE INSERT, bonnet	1	Morris Cooper S Mkl
	ALA6542	£16.30	BADGE SURROUND, boot	1	Cooper S Mkl
	ALA6513	£14.80	BADGE INSERT, bonnet	1	Austin Cooper Mkl
	ALA6517	£20.00	BADGE SURROUND, bonnet	1	Austin Cooper Mkl
	ALA6511	NCA	BADGE INSERT, bonnet	1	Morris Cooper Mkl
	ALA6518	£20.00	BADGE SURROUND, bonnet	1	Morris Cooper Mkl
	ALA6536	£13.20	BADGE INSERT, boot	1	Cooper S Mkl
	ALA6537	£20.70	BADGE INSERT, boot	1	Morris Cooper Mkl
	ALA6538	£12.10	BADGE INSERT, boot	1	Austin Cooper Mkl

ill.	Part Number	Price £ea.	Description	Req.	Details
	AVB192	£4.50	BADGE	1	Mkl script
	CZH1220	£16.30	BADGE, front grille	1	Clubman GT, red
	CZH4016	£15.00	BADGE, boot	1	Mini Special
	CZH1269	£15.30	BADGE, boot	1	1275 GT
	CZH4154	£15.30	BADGE, boot	1	1275 GT late
	CZH4154F	£4.50	BADGE FOIL, boot badge	1	1275 GT late
	CZH1220	£16.30	BADGE, boot	1	GT, red
	CZH1381	£16.36	BADGE, boot	1	MklII Cooper S
1	CZH4378	£39.16	BADGE, bonnet	1	To VIN349159
	CZH1305	£22.00	BADGE, bonnet	1	blue on silver
2	KPC1002	NCA	BADGE, bonnet	1	VIN349160 To 463576
3	DAB10076	£34.80	BADGE, bonnet	1	VIN463577 To 493180
4	DAH10036	£14.40	BADGE, bonnet	1	Cooper models
	DAB101130	NCA	BADGE, bonnet	1	Italian Job
	DAB10038	£28.00	BADGE, bonnet	1	Checkmate
	DAB10085	NCA	BADGE, bonnet	1	Rover
	DAH100410	NCA	BADGE, boot	1	'Mini' in white as Italian Job
	DAH100590MMM	£15.30	BADGE, boot, self adhesive	1	1997-On Mini winged badge
5	GHF1531	£0.30	LIP, badge retaining	3	



ill.	Part Number	Price £ea.	Description	Req.	Details
Decals					
	DAE10119NMN	£55.30	COACHLINE, white	1	
	JRC2679NMN	NCA	COACHLINE, white	1	
	DAE10119PMA	NCA	COACHLINE, black	1	
	DAF10380NMN	£6.60	COOPER LAUREL, white	1	
1	DAF10380PMA	£6.00	COOPER LAUREL, black	1	
	DAF10402NMN	£22.00	BONNET STRIPE, white, RH	1	
	DAF10403NMN	£22.00	BONNET STRIPE, white, LH	1	
	DAF10402PMA	NCA	BONNET STRIPE, black, RH	1	
	DAF10403PMA	£54.20	BONNET STRIPE, black, LH	1	
	DAF104090RHR	NCA	BOOT DECAL	1	Italian Job for white cars
	DAF104090RHS	£14.90	BOOT DECAL	1	Italian Job for green, red or black cars
	DAF104520RAU	£32.30	BOOT DECAL	1	Monte Carlo
	DAF104530RAU	NCA	BODY SIDE DECAL	1	Monte Carlo
	DAF104540RAU	£22.60	BONNET DECAL	1	Monte Carlo
	DAF105120	£79.20	ROOF DECAL	1	Union flag



ill.	Part Number	Price £ea.	Description	Req.	Details
Chassis Plates					
1	CRCP314	£5.40	CHASSIS PLATE, Austin	1	not stamped
	CRCP316	£4.75	CHASSIS PLATE, Morris	1	not stamped

Hardware and Fixings

Following is a listing of the common fasteners used on BL cars. These fasteners are for general use and are not intended to replace those listed for specific applications elsewhere in this catalogue.

To aid identification by terminology, a screw is threaded for its full length. A bolt is only part threaded with a plain unthreaded shank area between the head and the thread. The part number two letter prefix of SH means that the item is a Screw with a Hexagon head. The prefix BH means a Bolt with a Hexagon head. The first number defines the thread type, UNF = 6, UNC = 5. The second and third numbers give the thread diameter in increments of 1/16", e.g. 04 = 1/4", 05 = 5/16", 10 = 5/8". The fourth and fifth digits show the length in increments of 1/8", e.g. 04 = 1/2", 16 = 2", 23 = 2 7/8". The last digit defines finish, 1 = zinc plated. This coding system is only applicable to bolts and screws; nuts & washers are coded by a similar system that follows some of the above principles.

3/16" UNF Bolts & Set Screws

Hexagon Headed 3/8" A.F. Spanner Size

Bolt	Length	Set Screw
N/A	3/8"	HU503
N/A	1/2"	HU504
N/A	5/8"	HU505
N/A	3/4"	HU506
N/A	7/8"	HU507
N/A	1"	HU508

1/4" UNF Bolts & Set Screws

Hexagon Headed 7/16" A.F. Spanner Size

Bolt	Length	Set Screw
N/A	3/8"	SH604031
N/A	1/2"	SH604041
N/A	5/8"	SH604051
N/A	3/4"	SH604061
N/A	7/8"	SH604071
BH604081	1"	SH604081
BH604091	1 1/8"	SH604091
BH604101	1 1/4"	SH604101
BH604111	1 3/8"	SH604111
BH604121	1 1/2"	SH604121
BH604141	1 3/4"	SH604141
BH604161	2"	SH604161
BH604181	2 1/4"	N/A
BH604201	2 1/2"	N/A
BH604241	3"	N/A

5/16" UNF Bolts & Set Screws

Hexagon Headed 1/2" A.F. Spanner Size

Bolt	Length	Set Screw
N/A	3/8"	SH605031
N/A	1/2"	SH605041
N/A	5/8"	SH605051
N/A	3/4"	SH605061
N/A	7/8"	SH605071
N/A	1"	SH605081
BH605091	1 1/8"	SH605091
BH605101	1 1/4"	SH605101
BH605111	1 3/8"	SH605111
BH605121	1 1/2"	SH605121
BH605141	1 3/4"	SH605141
BH605151	1 7/8"	SH605151
BH605161	2"	SH605161
BH605181	2 1/4"	SH605181
BH605201	2 1/2"	SH605201
BH605221	2 3/4"	SH605221
BH605241	3"	SH605241

3/8" UNF Bolts & Set Screws

Hexagon Headed 9/16" A.F. Spanner Size

Bolt	Length	Set Screw
N/A	3/8"	SH606031

N/A	1/2"	SH606041
N/A	5/8"	SH606051
N/A	3/4"	SH606061
N/A	7/8"	SH606071
BH606081	1"	SH606081
BH606091	1 1/8"	SH606091
BH606101	1 1/4"	SH606101

3/8" UNF Bolts & Set Screws

Hexagon Headed 9/16" A.F. Spanner Size

Bolt	Length	Set Screw
BH606111	1 3/8"	SH606111
BH606121	1 1/2"	SH606121
BH606141	1 3/4"	SH606141
BH606161	2"	SH606161
BH606181	2 1/4"	SH606181
BH606201	2 1/2"	SH606201
BH606221	2 3/4"	N/A
BH606241	3"	N/A
BH606281	3 1/2"	N/A
BH606321	4"	N/A

7/16" UNF Bolts & Set Screws

Hexagon Headed 5/8" A.F. Spanner Size

Bolt	Length	Set Screw
N/A	5/8"	SH607051
N/A	3/4"	SH607061
N/A	7/8"	SH607071
N/A	1"	SH607081
N/A	1 1/8"	SH607091
N/A	1 1/4"	SH607101
N/A	1 3/8"	SH607111
BH607121	1 1/2"	SH607121
BH607141	1 3/4"	SH607141
BH607161	2"	SH607161
BH607181	2 1/4"	SH607181
BH607201	2 1/2"	N/A
BH607241	3"	BH607241

1/2" UNF Bolts & Set Screws

Hexagon Headed 3/4" A.F. Spanner Size

Bolt	Length	Set Screw
N/A	1/2"	SH608041
N/A	5/8"	SH608051
N/A	1"	SH608081
N/A	1 1/2"	SH608121
BH608141	1 3/4"	SH608141
BH608161	2"	N/A
BH608181	2 1/4"	N/A
BH608201	2 1/2"	SH608201
BH608241	3"	N/A

1/4" UNC Bolts & Set Screws

Hexagon Headed 7/16" A.F. Spanner Size

Bolt	Length	Set Screw
N/A	3/8"	SH504031
N/A	1/2"	SH504041
N/A	5/8"	SH504051
N/A	3/4"	SH504061
N/A	7/8"	SH504071
N/A	1"	SH504081
BH504091	1 1/8"	SH504091
N/A	1 1/4"	SH504101
BH504111	1 3/8"	SH504111
BH504121	1 1/2"	SH504121
N/A	1 3/4"	SH504141
BH504161	2"	N/A
BH504181	2 1/4"	SH504181
BH504201	2 1/2"	N/A

5/16" UNC Bolts & Set Screws

Hexagon Headed 1/2" A.F. Spanner Size

Bolt	Length	Set Screw
N/A	3/8"	SH505031
N/A	1/2"	SH505041
N/A	5/8"	SH505051
N/A	3/4"	SH505061
N/A	7/8"	SH505071
N/A	1"	SH505081
N/A	1 1/8"	SH505091

BH505101	1 1/4"	SH505101
BH505111	1 3/8"	SH505111
BH505121	1 1/2"	SH505121
BH505141	1 3/4"	SH505141
BH505161	2"	N/A
BH505181	2 1/4"	N/A
BH505201	2 1/2"	SH505201
BH505241	3"	N/A

3/8" UNC Bolts & Set Screws

Hexagon Headed 9/16" A.F. Spanner Size

Bolt	Length	Set Screw
N/A	1/2"	SH506041
N/A	3/4"	SH506061
N/A	7/8"	SH506071
BH506081	1"	SH506081
N/A	1 1/8"	SH506091
N/A	1 1/4"	SH506101
BH506111	1 3/8"	SH506111
BH506121	1 1/2"	SH506121
BH506141	1 3/4"	N/A
BH506161	2"	SH506161
BH506181	2 1/4"	N/A
BH506201	2 1/2"	N/A
BH506241	3"	SH506241

Self Tapping Screws

Pan Head	Size	Length	Countersunk Head
AB604021	No.4	1/4"	AC604021
AB606021	No.6	1/4"	N/A
AB606031	No.6	3/8"	N/A
AB606041	No.6	1/2"	AC606041
AB606061	No.6	3/4"	AC606061
AB606081	No.6	1"	AC606081
AB608041	No.8	1/2"	AC608041
AB608061	No.8	3/4"	AC608061
AB608081	No.8	1"	N/A
AB610041	No.10	1/2"	AC610041
AB610061	No.10	3/4"	AC610061
AB610081	No.10	1"	AC610081
AB612041	No.12	1/2"	AC612041
AB612061	No.12	3/4"	N/A
AB612081	No.12	1"	AC612081
AB614061	No.14	3/4"	N/A
AB614081	No.14	1"	AC614081

- B** = Pan Head
- C** = Countersunk Head
- 1st digit** = thread type (coarse or fine)
- 2nd/3rd digit** = diameter
- 4th/5th** = length in 1/8" increments
- 6th** = finish (1 = zinc plated)

Cross Slot Screws

Pan Head	Size	Length	Countersunk Head
PMZ204	No.6 UNC	1/4"	CMZ204
PMZ208	No.6 UNC	1/2"	N/A
PMZ304	No.10 UNF	1/4"	N/A
PMZ305	No.10 UNF	5/16"	CMZ305
PMZ306	No.10 UNF	3/8"	CMZ306
PMZ307	No.10 UNF	7/16"	CMZ307
PMZ308	No.10 UNF	1/2"	CMZ308
PMZ310	No.10 UNF	5/8"	CMZ310
PMZ312	No.10 UNF	3/4"	CMZ312
PMZ314	No.10 UNF	7/8"	N/A
PMZ316	No.10 UNF	1"	CMZ316
SE604041	1/4" UNF	1/2"	SF604041
SE604051	1/4" UNF	5/8"	SF604051
SE604061	1/4" UNF	3/4"	SF604061
N/A	1/4" UNF	7/8"	SF604071
SE604081	1/4" UNF	1"	SF604081
SE604121	1/4" UNF	1 1/2"	SF604121
SE605061	5/16" UNF	3/4"	SF605061
SE605081	5/16" UNF	1"	SF605081

Plain Nuts

Full Nut	Thread Size	Spanner Size	Half Nut
HN2003	No. 6 UNF	5/16"	N/A

HN2005	3/16" UNF	3/8"	N/A
GHF206	3/16" UNF	5/16"	N/A
HN2007	1/4" UNF	7/16"	JN2107
HN2008	5/16" UNF	1/2"	JN2108
HN2009	3/8" UNF	9/16"	JN2109
HN2010	7/16" UNF	5/8"	JN2110
HN2011	1/2" UNF	3/4"	JN2111
HN2012	9/16" UNF	7/8"	JN2112
N/A	5/8" UNF	15/16"	JN2113
HN2057	1/4" UNC	7/16"	JN2157
HN2058	5/16" UNC	1/2"	JN2158
HN2059	3/8" UNC	9/16"	JN2159

Nyloc Self Locking Nuts

Full Nut	Thread Size	Spanner Size	Half Nut
YN2905	3/16" UNF	5/16"	N/A
YN2907	1/4" UNF	7/16"	GHF271
YN2908	5/16" UNF	1/2"	TN3208
YN2909	3/8" UNF	9/16"	TN3209
YN2910	7/16" UNF	5/8"	TN3210
YN2911	1/2" UNF	3/4"	TN3211
YN2912	9/16" UNF	7/8"	TN3212
YN2913	5/8" UNF	15/16"	TN3213

'Aero' Or All Metal, 'Phillidas' Self Locking Nuts

Full Nut	Thread Size	Spanner Size	Half Nut
AN3507	1/4" UNF	7/16"	N/A
AN3508	5/16" UNF	1/2"	N/A
AN3509	3/8" UNF	9/16"	N/A
AN3510	7/16" UNF	5/8"	N/A
AN3511	1/2" UNF	3/4"	N/A

Slotted Nuts

Full Nut	Thread Size	Spanner Size	Half Nut
ND606041	3/8" UNF	9/16"	LN2209
ND607041	7/16" UNF	5/8"	NL607041
ND608041	1/2" UNF	3/4"	LN2211
ND609041	9/16" UNF	7/8"	LN2212
ND610041	5/8" UNF	15/16"	NL610041

Plain Brass - Manifold Nuts

Full Nut	Thread Size	Spanner Size
GHF261	5/16" UNF	1/2"
GHF262	3/8" UNF	9/16"
GHF270	5/16" UNC	1/2"
GHF269	3/8" UNC	9/16"

Spring/Spire Nut

Flat Type	Screw Size	'U' Type
GHF700	No. 6	GHF711
GHF701	No. 8	GHF712
GHF702	No. 10	GHF713
GHF703	No. 12	GHF714
GHF704	No. 14	N/A

Captive Nuts

Captive nuts consist of a square nut and cage which we supply individually as required. Always match nut and cage A.F. sizes.

Part Number	Description	Thread Size
NQ2707	Nut, 7/16" AF	1/4"
NQ2708	Nut, 5/8" AF	5/16"
CN4	Nut, fits CN3 cage	1/4"
CN5	Nut, /2" AF	5/16"

Part Number	Description	Spanner Size (AF)
CN2	Cage, square	7/16"
CN3	Cage, oblong	7/16"
600032	Cage, square	1/2"

Shake-Proof Washers

Internal Star	Hole Size	External Star
WF704061	No. 6	WE704061
WF702101	3/16"	WE702101
WF600041	1/4"	WE600041
WF600051	5/16"	WE600051
WF600061	3/8"	WE600061
WF600071	7/16"	WE600071
WF600081	1/2"	WE600081
WF600091	9/16"	WE600091
WF600101	5/8"	WE600101

Spring Type Locking Washers

Single Coil	Hole Size	Double Coil
WL700061	No. 6	N/A
WL700081	No. 8	N/A
WL700101	3/16"	AJD7721
GHF331	1/4"	AJD7722
GHF332	5/16"	AJD7731
GHF333	3/8"	AJD7742
GHF334	7/16"	N/A
GHF335	1/2"	N/A
GHF336	5/8"	N/A

Plain Washers

Standard Type	Hole Size	Repair Type
N/A	No. 6	WP3
N/A	No. 8	WP4
GHF306	3/16"	WP5
GHF300	1/4"	WP120
GHF301	5/16"	WP105
GHF302	3/8"	WP130
GHF303	7/16"	WM69
GHF304	1/2"	N/A
N/A	9/16"	WP12
N/A	5/8"	PWZ110

Sealing Washers

Fibre Washer	Hole Size	Copper Washer
WF505	3/16"	N/A
GHF342	1/4"	GHF361
GHF343	5/16"	GHF362
GHF344	3/8"	GHF363
GHF345	7/16"	GHF364
GHF346	1/2"	GHF365
GHF347	9/16"	N/A
GHF348	5/8"	N/A

Studs

A stud is a length of round bar threaded at both ends. The length of thread at each end of the stud may vary for specific applications.

Note: The following studs have fine (UNF) threads at one end and course (UNC) at the other.

Part Number	Diameter	Overall Length
TE504081	1/4"	1"
TE504131	1/4"	1 5/8"
53K2171	5/16"	1 1/8"
TE505111	5/16"	1 3/8"
TE505121	5/16"	1 1/2"
TE505131	5/16"	1 5/8"
TE505141	5/16"	1 3/4"
TE505151	5/16"	1 7/8"
TE505161	5/16"	2"
TE505181	5/16"	2 1/4"
TE505201	5/16"	2 1/2"
TE505221	5/16"	2 3/4"
TE505241	5/16"	3"
TE505261	5/16"	3 1/4"
TE505271	5/16"	3 3/8"
TE505281	5/16"	3 1/2"
TE505341	5/16"	4 1/4"
TE506101	3/8"	1 5/16"
TE506131	3/8"	1 5/8"
TE506141	3/8"	1 3/4"

TE506161	3/8"	2"
TE506201	3/8"	2 1/2"
TE506361	3/8"	3 1/2"

Note: The following list is of studs have fine (UNF) threads at both ends.

Part Number	Diameter	Overall Length
TE604081	1/4"	1"
TE604091	1/4"	1 1/8"
TE604101	1/4"	1 1/4"
TE605101	5/16"	1 1/4"
TE605111	5/16"	1 3/8"
TE605121	5/16"	1 1/2"
TE605131	5/16"	1 5/8"
TE605141	5/16"	1 3/4"
TE605151	5/16"	1 7/8"
TE605181	5/16"	2 1/4"
TE605201	5/16"	2 1/2"
TE605221	5/16"	2 3/4"
TE605251	5/16"	3 1/8"
TE605291	5/16"	3 5/8"
TE606101	3/8"	1 1/4"
TE606111	3/8"	1 3/8"
TE606121	3/8"	1 1/2"
TE606141	3/8"	1 3/4"
TE606151	3/8"	1 7/8"

Note: The following studs have course (UNC) threads at both ends.

Part Number	Diameter	Overall Length
101442	3/8"	1 5/8"
058688	3/8"	1 11/16"
115696	3/8"	1 13/16"
058917	3/8"	1 15/16"
102474	3/8"	2 1/16"
107055	3/8"	2 3/8"

Dowels

Part Number	Diameter	Overall Length
DP204	1/8"	1/4"
DP205	1/8"	5/16"
DP306	3/16"	3/8"
DP407	1/4"	7/16"
DP408	1/4"	1/2"
DP410	1/4"	5/8"
DP411	1/4"	11/16"
DP414	1/4"	7/8"
DP508	5/16"	1/2"
DP514	5/16"	7/8"
DP608	3/8"	1/2"
DP610	3/8"	5/8"
DP610	3/8"	1 3/16"

Clevis Pins

(Measured from under head to end)

Part Number	Length	Diameter
108326	1/2"	1/8"
PJ8504	3/8"	3/16"
CLZ307	7/16"	3/16"
CLZ308	1/2"	3/16"
CLZ309	9/16"	3/16"
CLZ310	5/8"	3/16"
CLZ311	11/16"	3/16"
CLZ312	3/4"	3/16"
CLZ313	13/16"	3/16"
CLZ314	7/8"	3/16"
CLZ315	15/16"	3/16"
CLZ316	1"	3/16"
CLZ317	1 1/16"	3/16"
N/A	3/8"	1/4"
N/A	7/16"	1/4"
CLZ408	1/2"	1/4"
CLZ409	9/16"	1/4"
CLZ410	5/8"	1/4"
CLZ411	11/16"	1/4"
CLZ412	3/4"	1/4"
CLZ413	13/16"	1/4"
CLZ414	7/8"	1/4"

CLZ415	15/16"	1/4"
CLZ416	1"	1/4"
CLZ417	1 1/16"	1/4"
CLZ427	1 11/16"	1/4"
N/A	1/2"	5/16"
N/A	9/16"	5/16"
CLZ510	5/8"	5/16"
CLZ511	11/16"	5/16"
CLZ512	3/4"	5/16"
CLZ513	13/16"	5/16"
CLZ514	7/8"	5/16"
CLZ515	15/16"	5/16"
CLZ516	1"	5/16"
CLZ517	1 1/16"	5/16"
CLZ518	1 1/8"	5/16"

Split Pins

Part Number	Length	Diameter
GHF500	1 1/2"	1/16"
GHF501	1 1/2"	5/64"
GHF502	1 1/2"	3/32"
GHF503	2 1/4"	7/64"
GHF504	2 1/4"	1/8"
GHF505	2 1/4"	9/64"
GHF506	2 1/4"	5/32"

Brake & Fuel Pipe

(Supplied in 25 foot rolls)

Part Number	Material	Diameter
MPKF125	Cupro-nickel	3/16"
MPKF225	Cupro-nickel	1/4"
MPKF325	Cupro-nickel	5/16"
EF125	Steel	3/16"
EF225	Steel	1/4"
EF325	Steel	5/16"

Grease Nipples

Part Number	Thread Size	Angle
UHN400	1/8" BSP	straight, short
UHN445	1/8" BSP	45° angle
LN30041	1/8" BSP	90° angle
144825	1/8" BSP	straight, long
056935	1/4" BSP	straight
125361	1/4" BSP	45° angle
056934	1/4" BSP	90° angle

Pipe Nuts - Male, Steel

Part Number	Thread Size	Pipe Bore
TM606031	3/8" UNF	3/16"
TM110051	10mm x 1mm	3/16"
LK21994	3/8" BSF	3/16"
BCA4370	7/16" UNF	1/4"
BHA4706	7/16" UNF	3/16"
AUSU40A	1/2" UNF	5/16"

Pipe Nuts - Male, Brass

Part Number	Thread Size	Pipe Bore
AEHU1	3/8" UNF	3/16"
AEHU2	10mm x 1mm	3/16"
AEHU3	3/8" BSF	3/16"
AEHU7	7/16" UNF	3/16"

Pipe Nuts - Female, Steel

Part Number	Thread Size	Pipe Bore
AEHU1A	3/8" UNF	3/16"
SU2A	10mm x 1mm	3/16"
SU4A	7/16" UNF	1/4"
HU41A	1/2" UNF	5/16"

Pipe Nuts - Female, Brass

Part Number	Thread Size	Pipe Bore
AEHU1A	3/8" UNF	3/16"
AEHU2A	10mm x 1mm	3/16"
AEHU4A	7/16" UNF	1/4"

Bleed Screws

Part Number	Thread Size
556508A	3/8" UNF
608400A	10mm metric
27H7166	3/8" BSF

Pipe Clips

Part Number	Capacity
GHF1191	SINGLE, 3/16"
GHF1192	SINGLE, 1/4"
624155	DOUBLE, 3/16"

Petrol Pipe Clips (Metric)

('Enots' Type)

Part Number	To Suit Diameter
GGT1108X	8mm
GGT1109X	9mm
GGT1110X	10mm
GGT1111X	11mm
GGT1112X	12mm
GGT1113X	13mm
GGT1114X	14mm
GGT1115X	15mm
GGT1116X	16mm
GGT1117X	17mm

Hose Clips ('Jubilee' Type)

Mild Steel (Imperial)

Part Number	To Suit Diameter
GHC304	3/8" - 1/2"
GHC405	7/16" - 5/8"
GHC11020	1/2" - 3/4"
GHC11022	5/8" - 7/8"
GHC11025	3/4" - 1"
GHC11030	5/8" - 1 1/8"
GHC811	1" - 1 3/8"
GHC11035	1 1/8" - 1 5/8"
GHC1015	1 3/8" - 2"
GHC1217	1 1/2" - 2 1/4"
GHC1622	2" - 2 3/4"
GHC2228	2 3/4" - 3 1/2"
GHC2632	3 1/4" - 4"
GHC3036	3 3/4" - 4 1/2"
GHC3340	4 1/8" - 5"

Hose Clips ('Jubilee' Type)

Stainless Steel (Metric)

Part Number	To Suit Diameter
GHC10408	8 - 12 mm
GHC10410	12 - 18 mm
GHC10411	8 - 16 mm
GHC10412	12 - 20 mm
GHC10413	16 - 25 mm
GHC11030	20 - 32 mm
GHC11035	25 - 40 mm
GHC10416	32 - 50 mm
GHC10417	46 - 60 mm
GHC10418	50 - 70 mm
GHC10419	60 - 80 mm
GHC10420	70 - 90 mm
GHC10421	80 - 100 mm

Hose Clips ('Supergrip' Type)

(With Single Slotted Hexagon Head)

Part Number	To Suit Diameters
CS4009	7/16" - 9/16"
CS4011	1/2" - 11/16"
CS4012	9/16" - 3/4"
CS4013	5/8" - 13/16"
CS4014	11/16" - 7/8"
CS4016	3/4" - 1"
CS4017	13/16" - 1 1/16"
CS4018	7/8" - 1 1/8"
CS4020	1" - 1 1/4"
CS4022	1 1/8" - 1 3/8"
CS4023	1 1/4" - 1 7/16"
CS4024	1 5/16" - 1 1/2"
CS4025	1 3/8" - 1 9/16"
CS4026	1 7/16" - 1 5/8"

CS4028	1 9/16" - 1 3/4"
CS4029	1 5/8" - 1 13/16"
CS4030	1 11/16" - 1 7/8"
CS4032	1 7/8" - 2"
CS4034	1 15/16" - 2 1/8"
CS4036	2 1/16" - 2 1/4"
CS4037	2 1/8" - 2 5/16"
CS4038	2 3/16" - 2 7/16"
CS4039	2 1/4" - 2 7/16"
CS4040	2 5/16" - 2 1/2"
CS4041	2 3/8" - 2 9/16"
CS4042	2 7/16" - 2 5/8"
CS4048	2 13/16" - 3"
CS4052	3 1/16" - 3 1/4"

Note: Original "Supergrip" clips were supplied with a single slotted round-head screw. The modern replacement comes with a hexagon headed screw. For the authentic look we have resourced the original type screw, (sold separately).

CS4099 (Round-Head Screw).

'P' Clips - Imperial

Part Number	Cable Diameter	Hole Size
PCR207	1/8"	7/32"
PCR307	3/16"	7/32"
PCR309	3/16"	9/32"
PCR311	3/16"	11/32"
PCR407	1/4"	7/32"
PCR409	1/4"	9/32"
PCR411	1/4"	11/32"
PCR507	5/16"	7/32"
PCR509	5/16"	9/32"
PCR511	5/16"	11/32"
PCR607	3/8"	7/32"
PCR609	3/8"	9/32"
PCR611	3/8"	11/32"
PCR707	7/16"	7/32"
PCR709	7/16"	9/32"
PCR711	7/16"	11/32"
PCR807	1/2"	7/32"
PCR809	1/2"	9/32"
PCR811	1/2"	11/32"
PCR813	1/2"	13/32"
PCR1007	5/8"	7/32"
PCR1009	5/8"	9/32"
PCR1011	5/8"	11/32"
PCR1207	3/4"	7/32"
PCR1209	3/4"	9/32"
PCR1211	3/4"	11/32"
PCR1407	7/8"	7/32"
PCR1409	7/8"	9/32"
PCR1411	7/8"	11/32"
PCR1607	1"	7/32"

'P' Clips - Metric

Part Number	Cable Diameter	Fixing Hole Size
CP105081	8mm	5mm
PCR611	10mm	8mm
CP108121	12mm	8mm
CP106161	16mm	6mm
CP108165	16mm	8mm

Steel Balls

Part Number	Diameter
BLS106	3/16"
BLS108	1/4"
BLS110	5/16"
BLS112	3/8"
BLS28	7/16"

Pop Rivets - Open End Type

Part Number	Diameter
RA607096	2.9 x 5mm
RA608126	1/8" x 3/16"
RA608176	1/8" x 1/4"
RA608236	1/8" x 5/16"
RA608253	1/8" x 3/8"

Pop Rivets - Closed End Type

Part Number	Diameter
RU608123	1/8" x 3/8"
RU608313	1/8" x 1/2"
RU612123	3/16" x 5/16"

Cable Ties

Part Number	Length
GHF1265	3 1/2"
GHF1266	5 1/4"
RTC222A	6"
GHF1267	8 3/4"
GHF1268	11"



PAINT COLOURS

Due to the longevity of the Mini production, which combines 41 years of paints and colour codes, there are far too many to be shown here. Therefore we suggest that you contact your nearest Moss branch and discuss your requirements.

The colours that we supply are carefully blended to be an exact match to the original paint as used by the factory, but it is worth observing that your car may well have faded from its original colour over the years. For this reason before you start, we recommend that you do a test spray of any aerosol on a piece of old metal or a carefully selected area of the car where a mismatch will not be noticed. The boot or spare wheel area is often a convenient place to do your testing.



We can supply paint in either aerosol or brush-on format. The aerosols come in 400ml cans and the brush-on paints are available in 125ml cans with a brush in the cap (except for engine and chassis paints, which are supplied in 500ml tins).

TRIM COLOURS

There are many trim colours for the Mini over the 42 years of production. However Moss only stock, red, black and grey. We can supply these colours throughout the whole range of trim including: boot trim, headlining and sun visors, interior trim panel kits, dash liner kits, carpet sets, footwell cover mats, seat cover kits, gear lever gaiters. For more information please contact your nearest Moss branch.

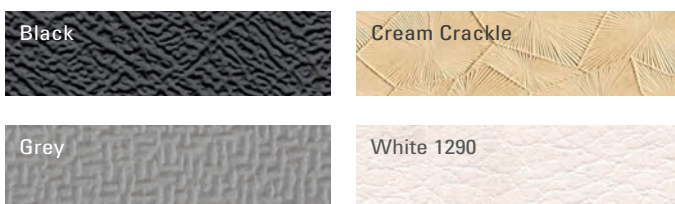
Classic Car Colours Stockist: Moss Europe Ltd



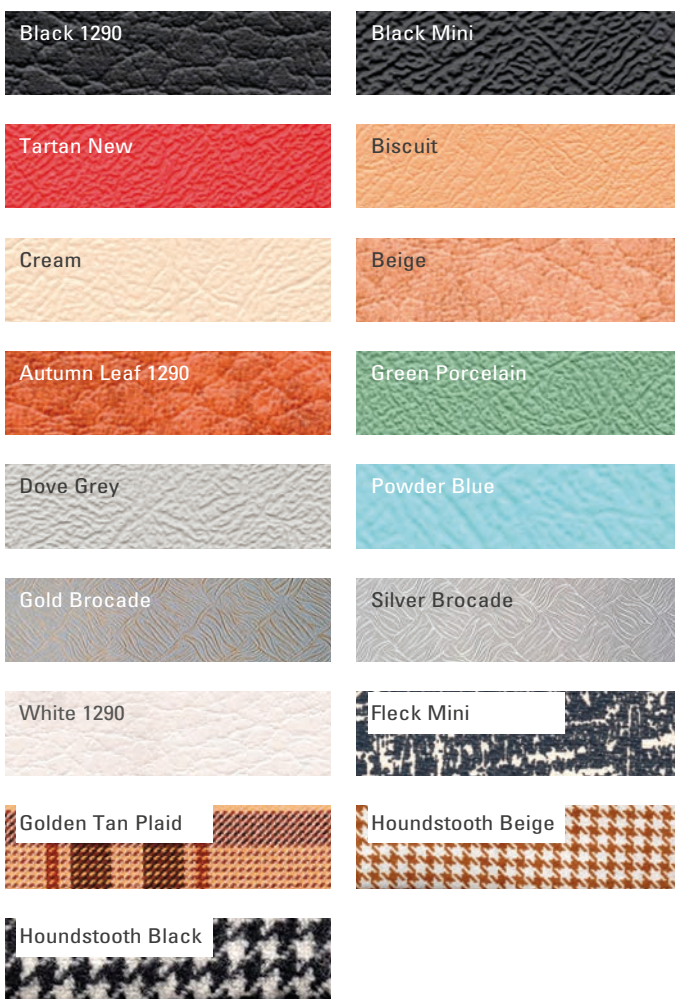
CARPET COLOURS



HEADLINING COLOURS



VINYL COLOURS



Please note: Colours may vary slightly to samples shown here, due to the limitations of the colour printing press, and should be used as a guide only.

DYNOLITE

EUROPE'S CLASSIC MOTOR OIL



Dynolite Oil produces high quality oils and lubricants for vintage, classic and racing applications. Including lubricants for engines, gearboxes, steering boxes and greases. Dynolite lubricants are specially developed for historic vehicles to offer far superior mechanical protection.

www.dynolite.com

Dynolite Stockist: Moss Europe Ltd



LONDON

LONDON

Unit 16, Hampton Business Park
Bolney Way, Feltham
TW13 6DB

London Tel
+44 (0)20 8867 2020

E-mail
sales@moss-europe.co.uk

Fax
+44 (0)20 8867 2030



BRADFORD

BRADFORD

Unit 12-13, Acorn Park Ind. Est.
Otley Road, Shipley
BD17 7SW

Bradford Tel
+44 (0)1274 539 999

Email
bradford@moss-europe.co.uk

Fax
+44 (0)1274 539 990



BRISTOL

BRISTOL

Unit 14 Avonside Ind. Park
Avonside Road, Bristol
BS2 0UQ

Bristol Tel
+44 (0)117 923 2523

Email
bristol@moss-europe.co.uk

Fax
+44 (0)117 300 9164



MANCHESTER

MANCHESTER

111-117 Stockport Road
Stockport, Cheshire
SK3 0JE

Manchester Tel
+44 (0)161 480 6402

Email
manchester@moss-europe.co.uk

Fax
+44 (0)161 429 0349



PARIS

PARIS

7 rue Chaponval
ZAC du Cornouiller
78870 Bailly, France

Paris Tel
+33 (0)1 30 80 20 30

Email
sales@moss-europe.fr

Sav
+33 (0)1 30 80 21 50